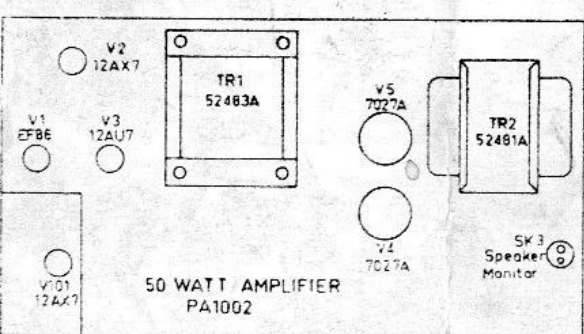
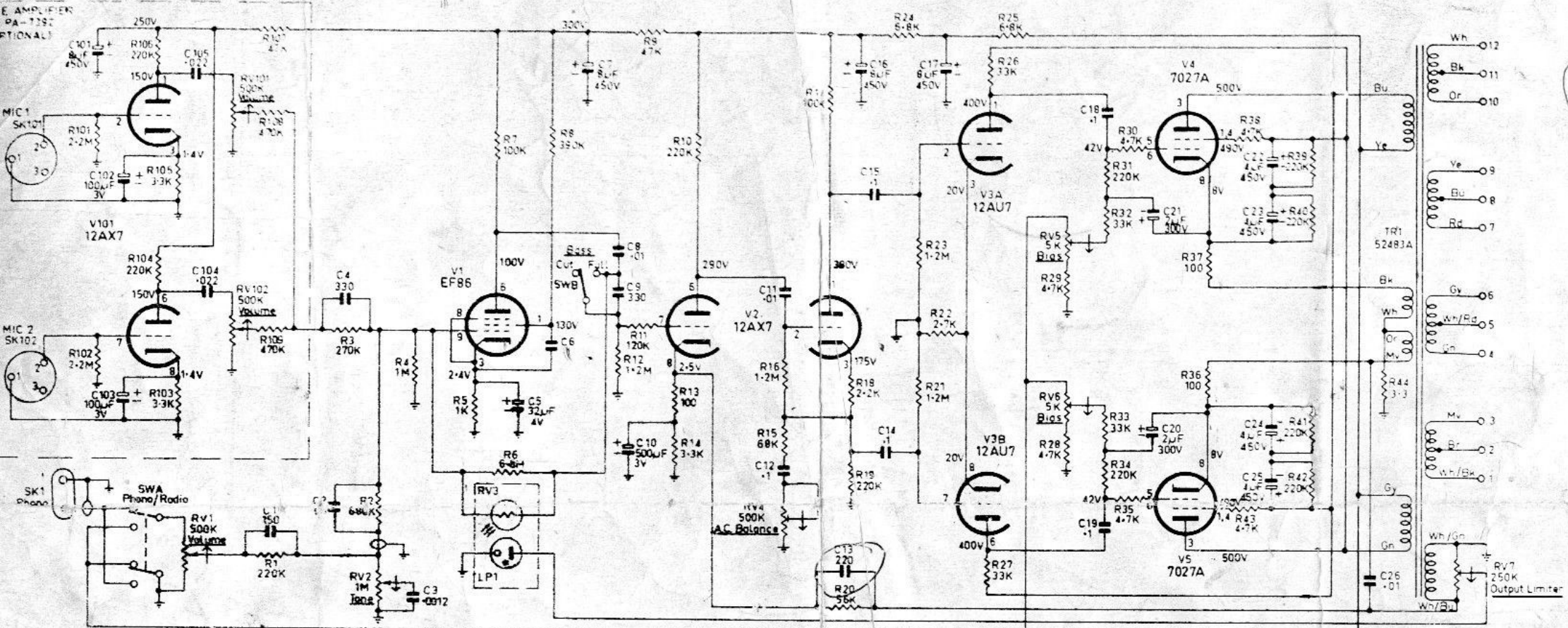
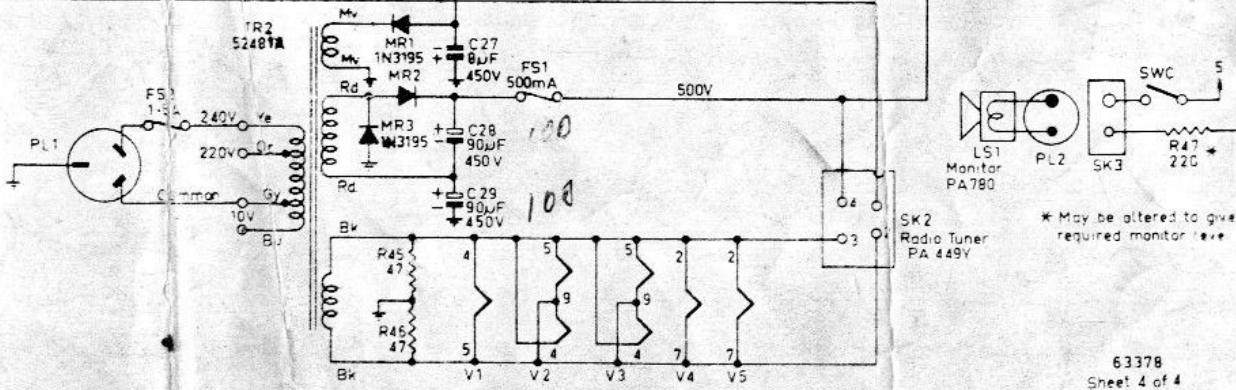


E AMPLIFIER
PA-1252
FUNCTIONAL



OUTPUT CONNECTIONS		
NO OF 600Ω SPEAKERS	OUTPUT TERMINATION	JOIN FOLLOWING
2-3	100Ω / 100V	3-4, 6-7, 8-10
4	162Ω	3-5, 6-7, 8-10
5-6	98Ω / 70V	3-5-7, 5-8-10
7-9	72Ω	3-4, 5-8, 9-10
10-13	50Ω	1-4, 3-10, 9-12, 5-7
14-24	29Ω	1-4, 2-7, 9-12, 5-11
25-35	18Ω	1-4, 3-8, 9-12, 5-10
36-60	12Ω	1-4-7-10, 3-6-9-12

C/N 01.



CONNECT 200Ω LOAD - 10W.