



ADAM
PROFESSIONAL AUDIO

Schematics/Schaltpläne

ADAM Audio

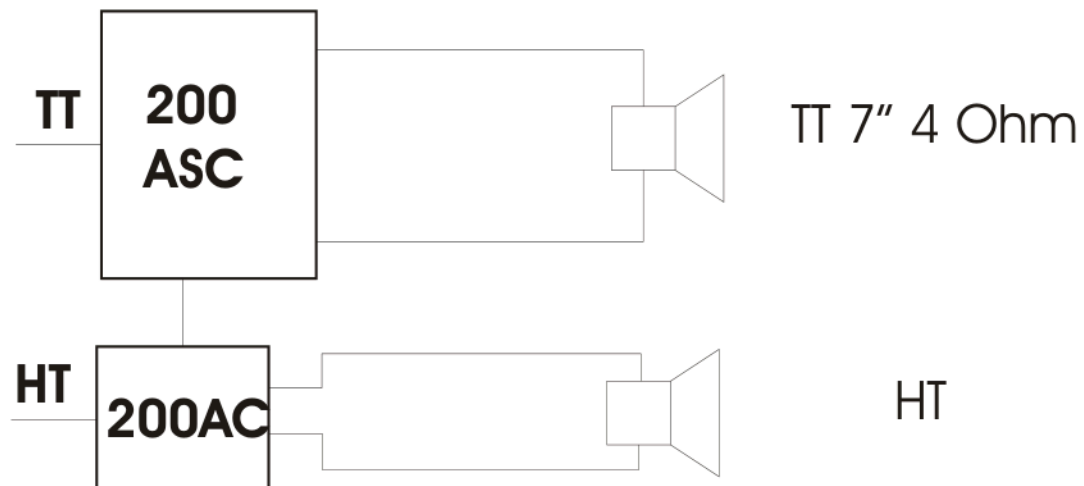
Active Studio Monitor

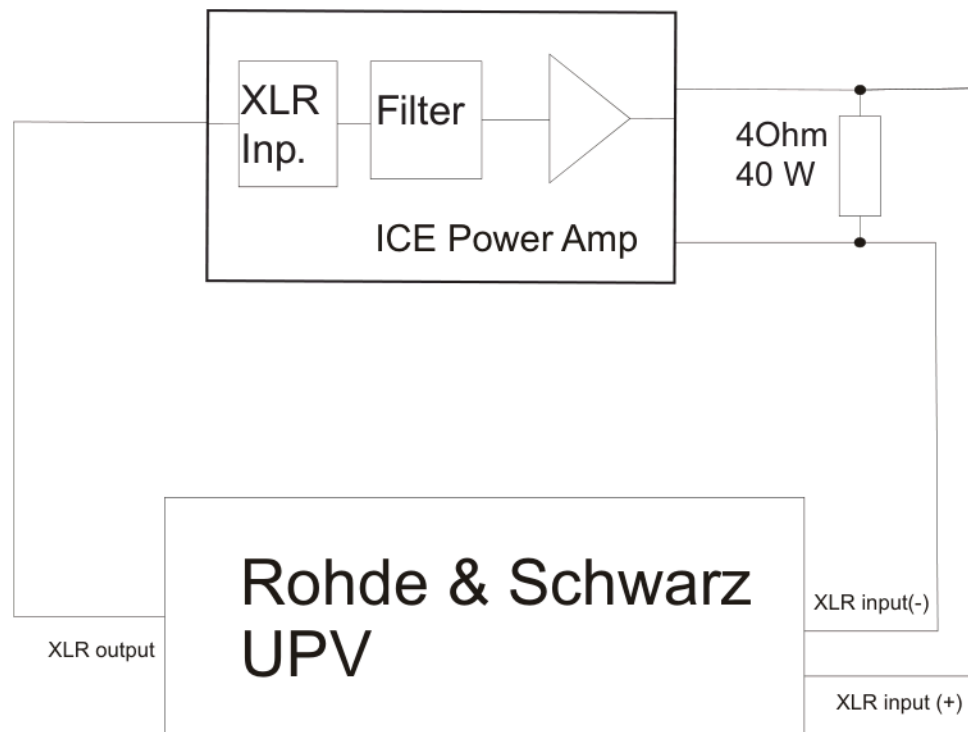
P11A

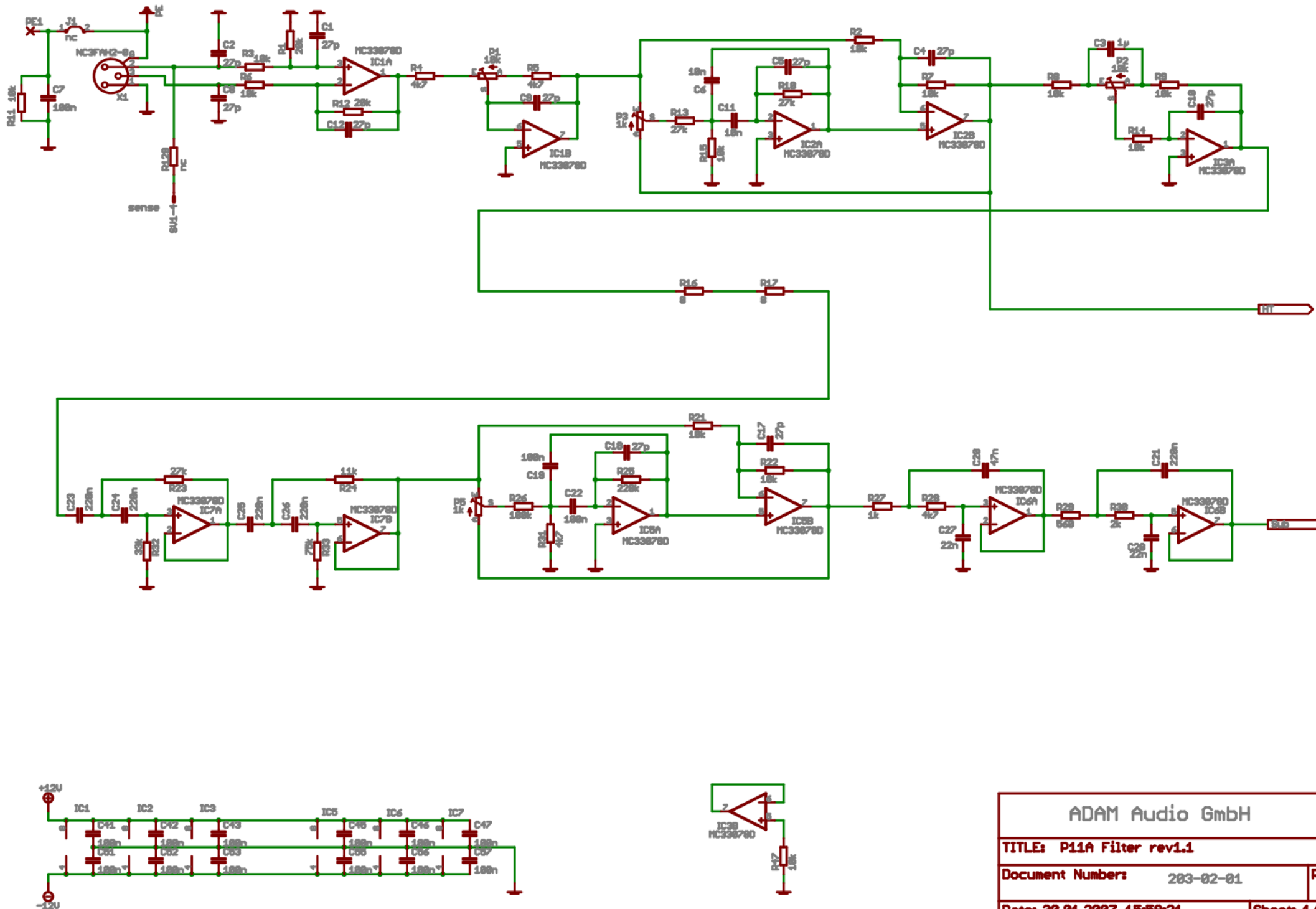
ICE 1.1

12.06.2007 filters					
	LP	HP	EQ-frequency [Hz]	EQ-Q [Oct]	EQ-gain [dB]
P11A ICE200 1.1					
input			1200	1	-3
Tweeter		2540Hz / 24dB, Butterworth			
Low-Mid					
Low	2290Hz / 24dB, Butterworth	25Hz / 24dB, Butterworth	50	0,3	4

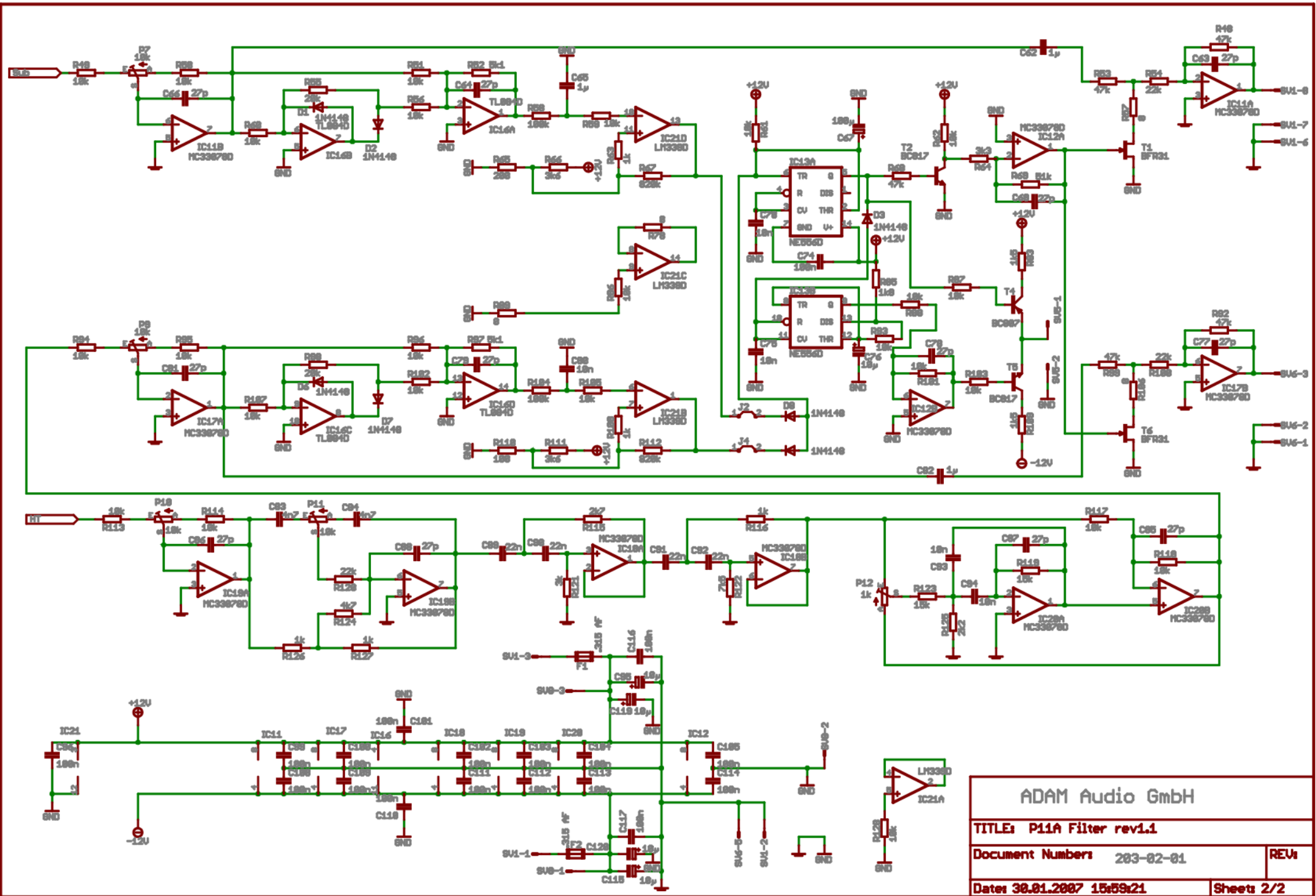
12.06.2007 amplifier							
	driver polarity	clipping frequency [Hz]	clipping output voltage [V]	R	clipping time adjust	amp modules	first amplifier number
P11A ICE200 1.1							
input							
Tweeter	in phase	5000	10	3k6 / 100	100K/10nF	200AC	12077
Low-Mid							
Low	in phase	40	19	3k6 / 200	100K/1μF	200ASC	







ADAM Audio GmbH	
TITLE: P11A Filter rev1.1	
Document Numbers: 203-02-01	REV: 1
Date: 30.01.2007 15:59:21	Sheet: 1/2



ADAM Audio GmbH	
TITLE: P11A Filter rev1.1	
Document Number: 203-02-01	REV:
Date: 30.01.2007 15:59:21	Sheet: 2/2

