

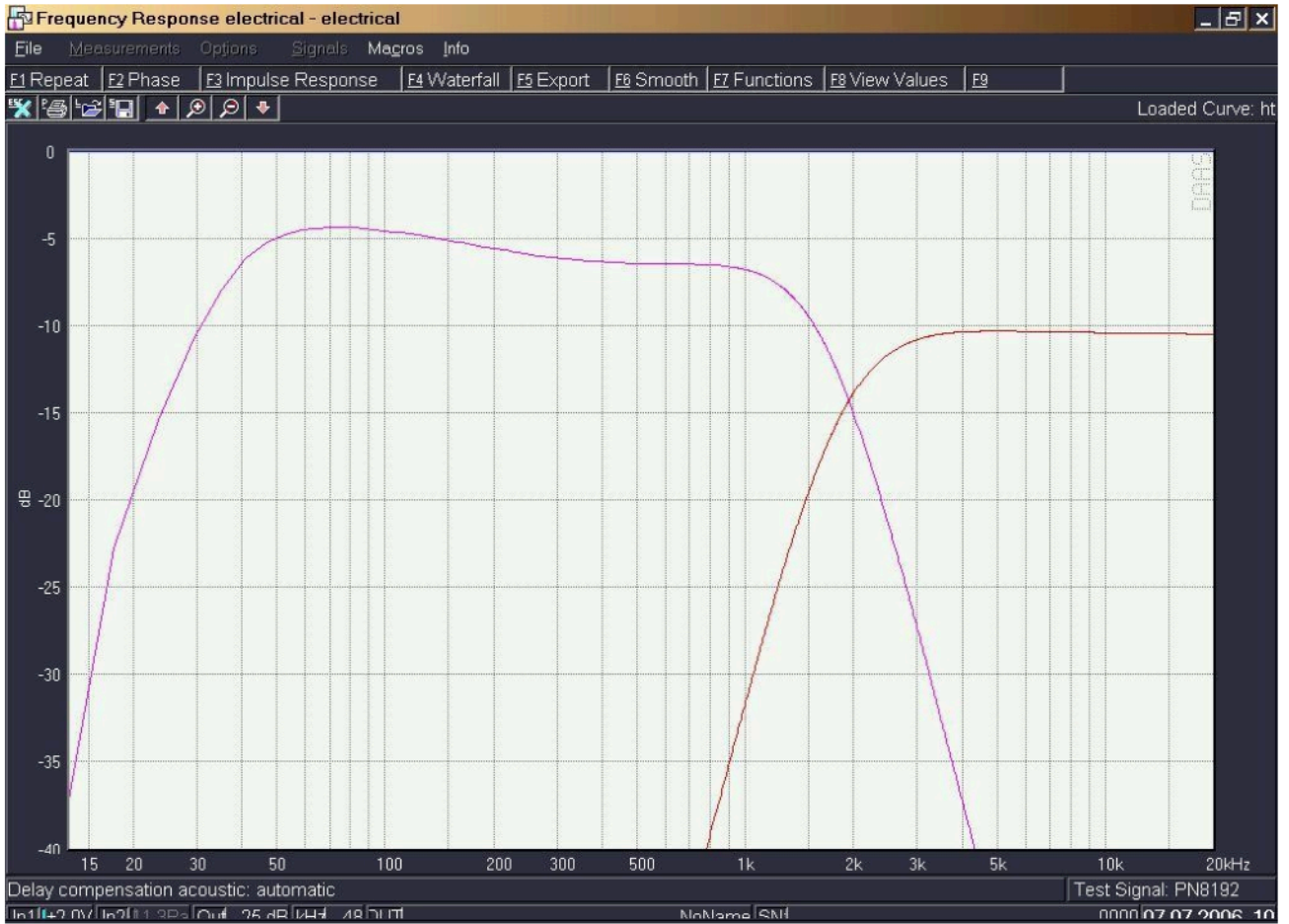
ADAM Audio

Active Studio Monitor

P111-A

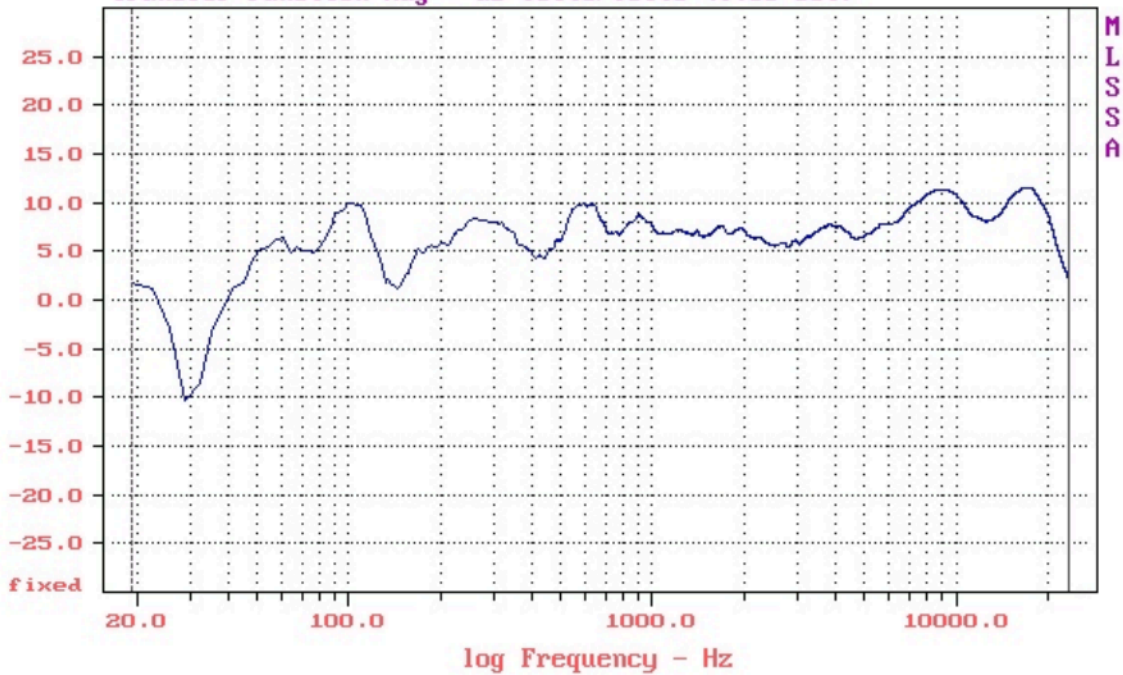
UCD

# DAAS



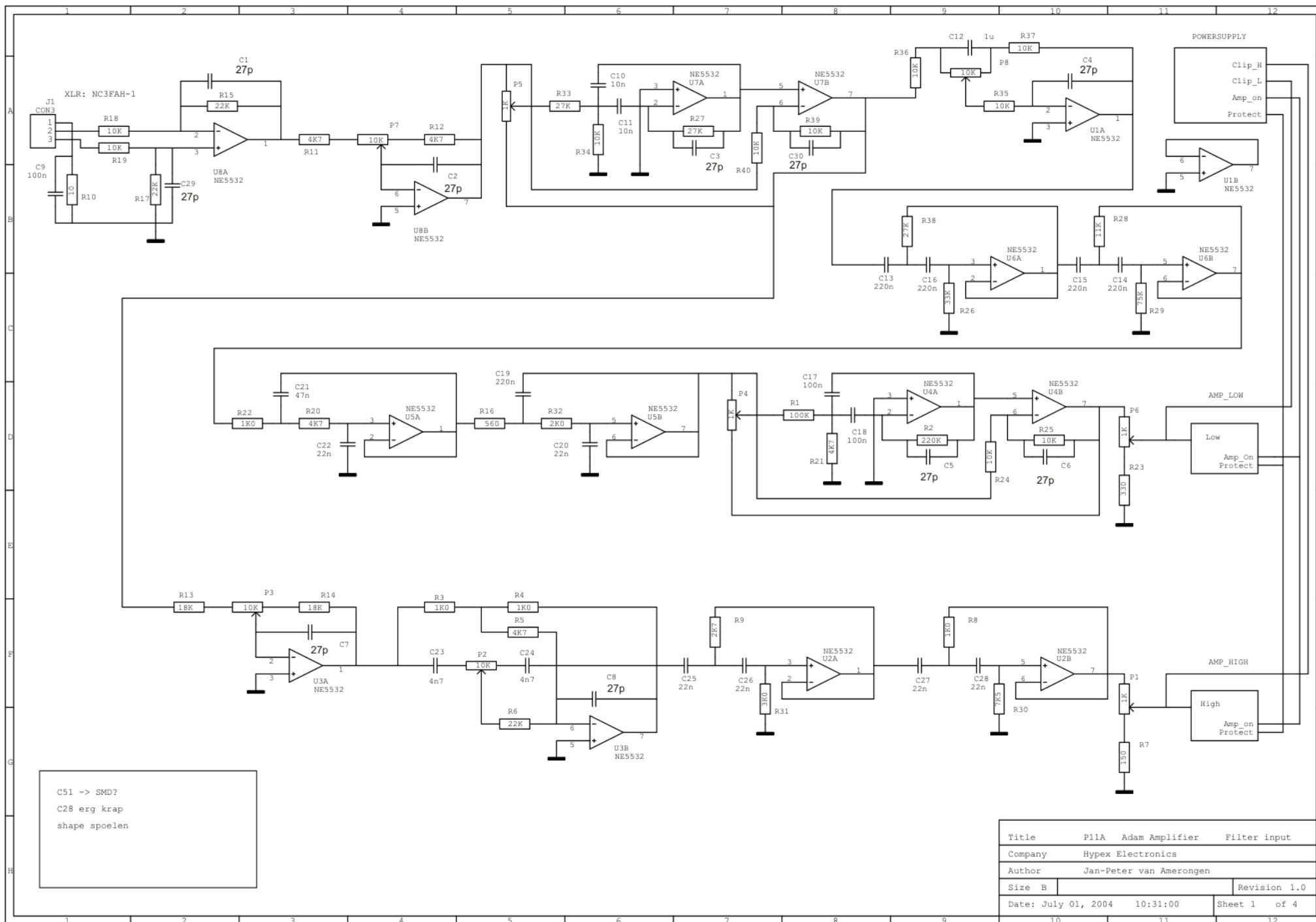
# MLSSA

File: C:\MLS\_MESS\REFP11.FRQ 4-19-106 1:57 PM  
 Transfer Function Mag - dB volts/volts (0.33 oct)



CURSOR: y = 2.01658 x = 23527.4472 (7324)

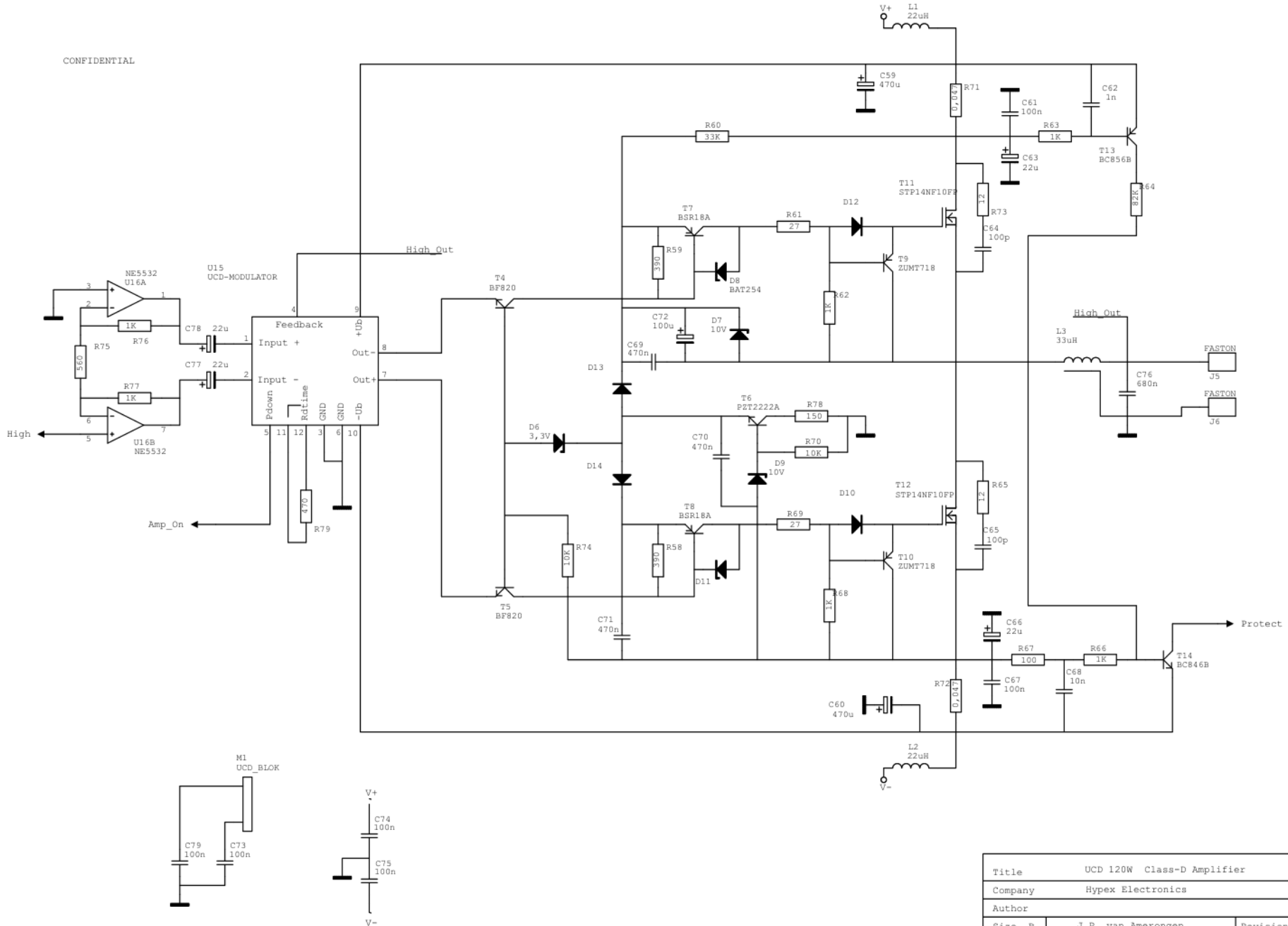
FREQUENCY DOMAIN MENU: Go View Reference Acquisition Setup Transfer Macro QC  
 Overlay Calculate Printer DOS Units Library Info Exit  
 F1 for Help MLSSA: Frequency Domain



C51 -> SMD?  
 C28 erg krap  
 shape spoelen

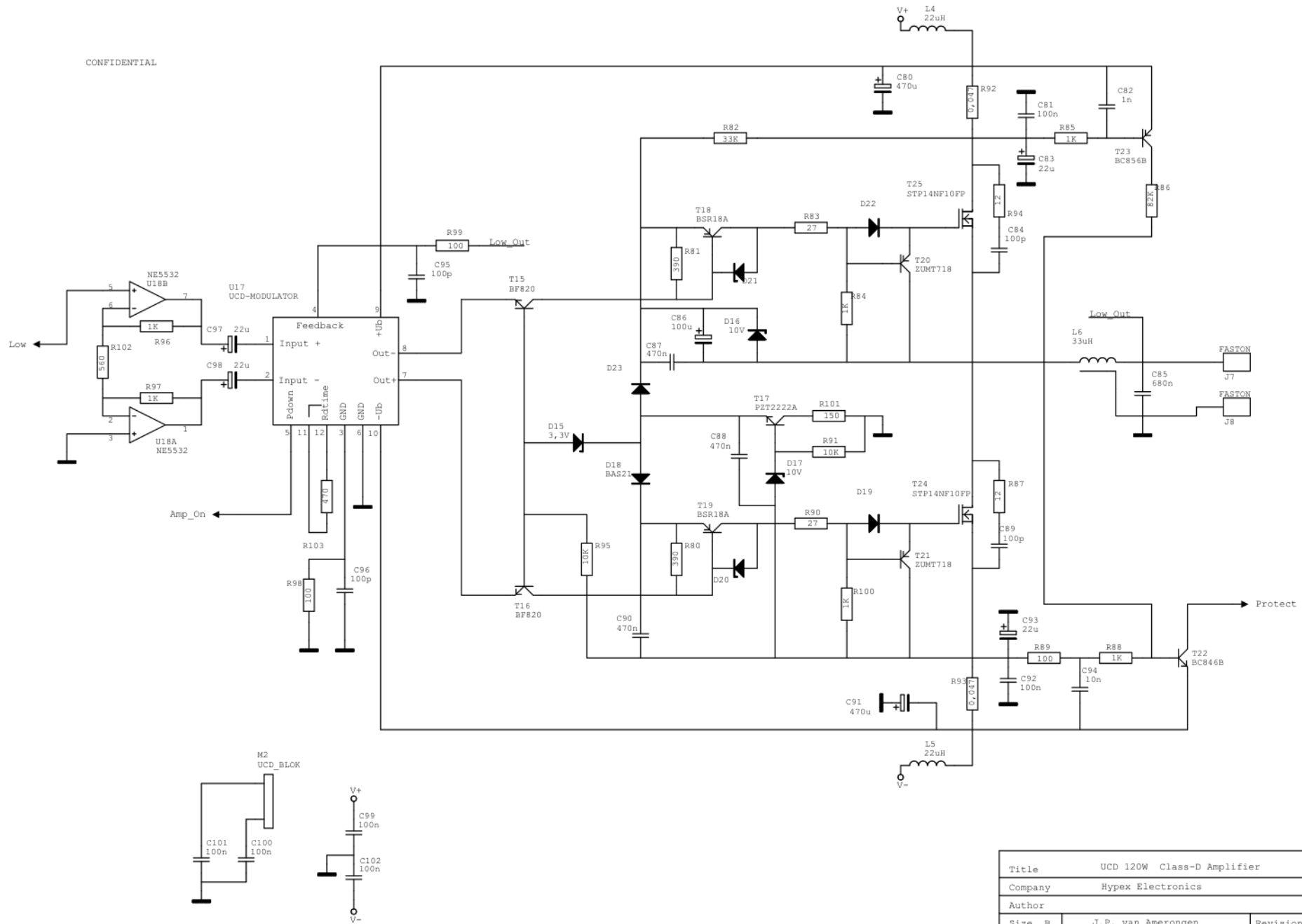
Title	P11A Adam Amplifier	Filter input
Company	Hypex Electronics	
Author	Jan-Peter van Amerongen	
Size	B	Revision 1.0
Date:	July 01, 2004 10:31:00	Sheet 1 of 4

CONFIDENTIAL

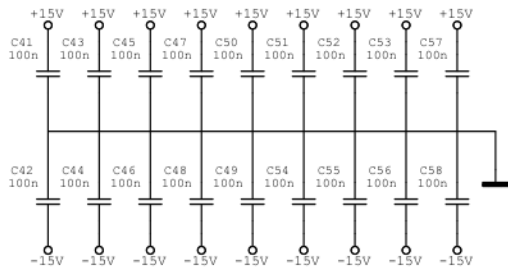
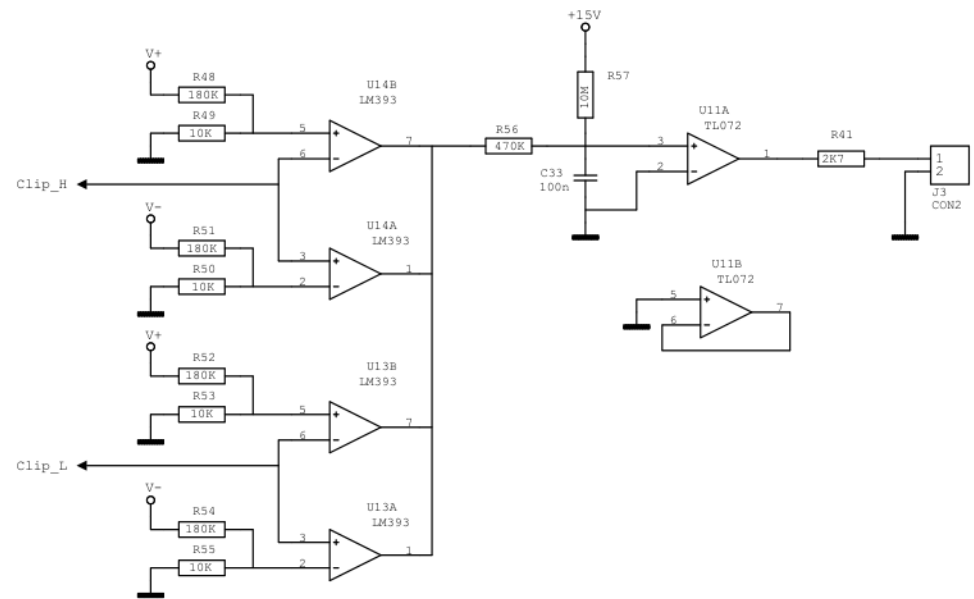
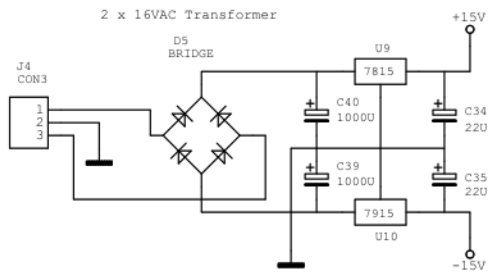
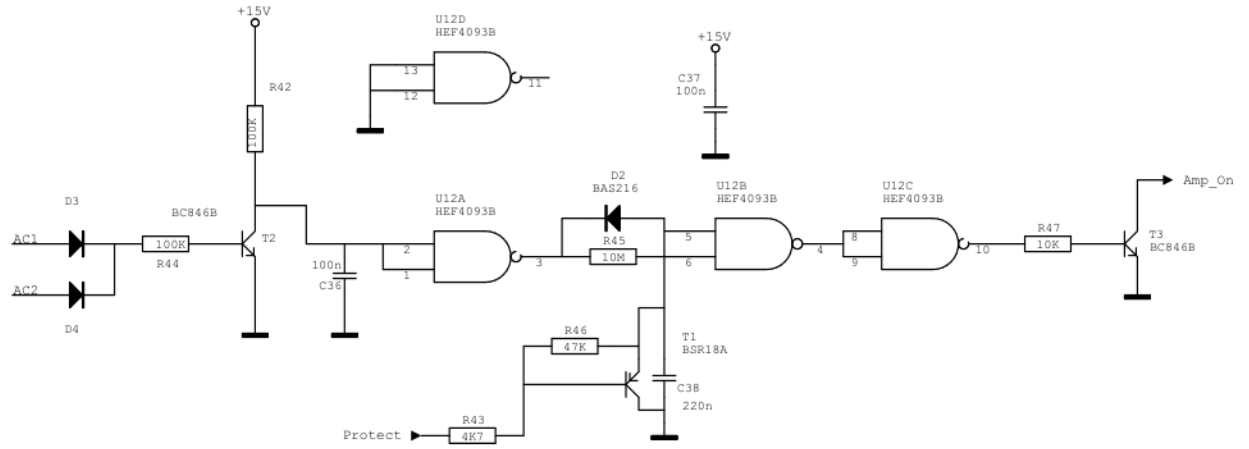
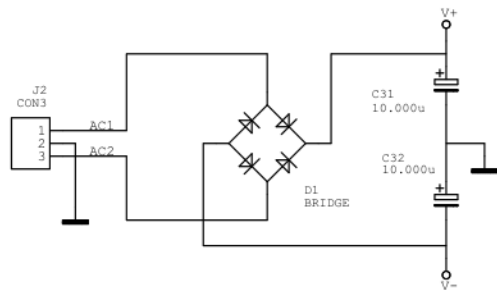


Title			UCD 120W Class-D Amplifier		
Company			Hypex Electronics		
Author					
Size	B		J.P. van Amerongen	Revision 1.0	
Date:	July 01, 2004	10:23:00	Sheet 3 of 4		

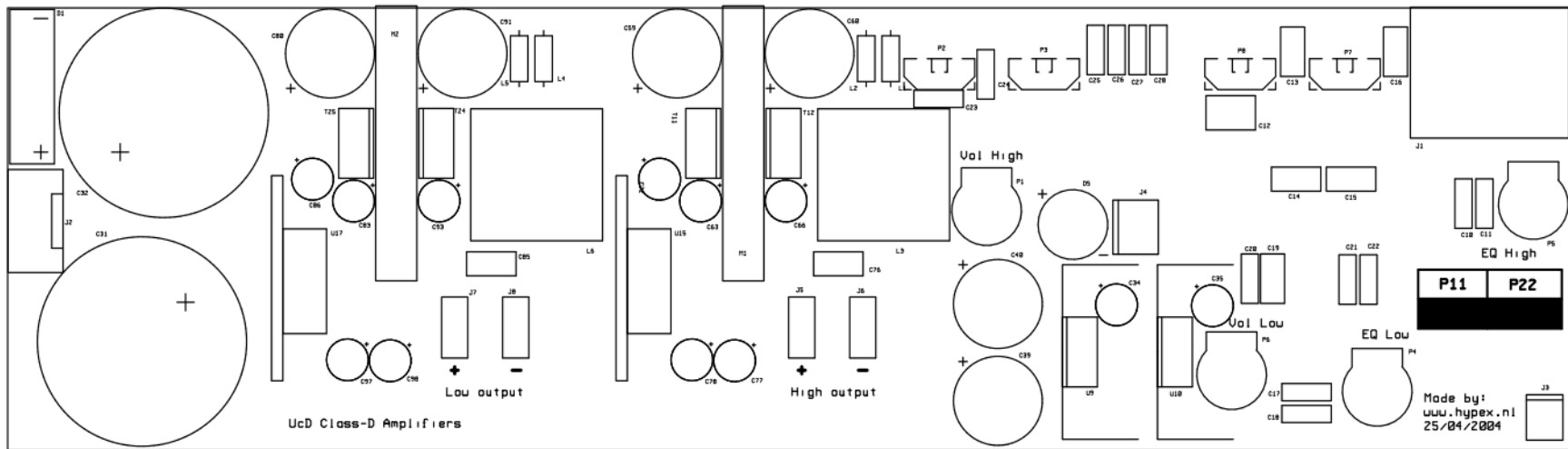
CONFIDENTIAL



Title			UCD 120W Class-D Amplifier		
Company			Hypex Electronics		
Author			1		
Size	B		J.P. van Amerongen	Revision 1.0	
Date:	May 09, 2004 14:33:00		Sheet 2 of 4		

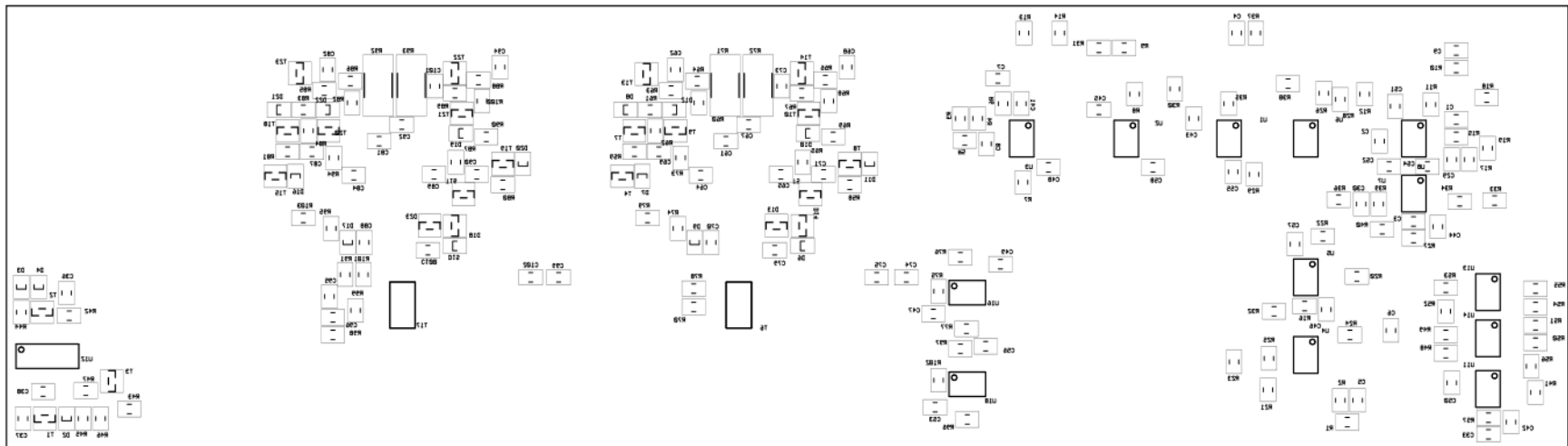


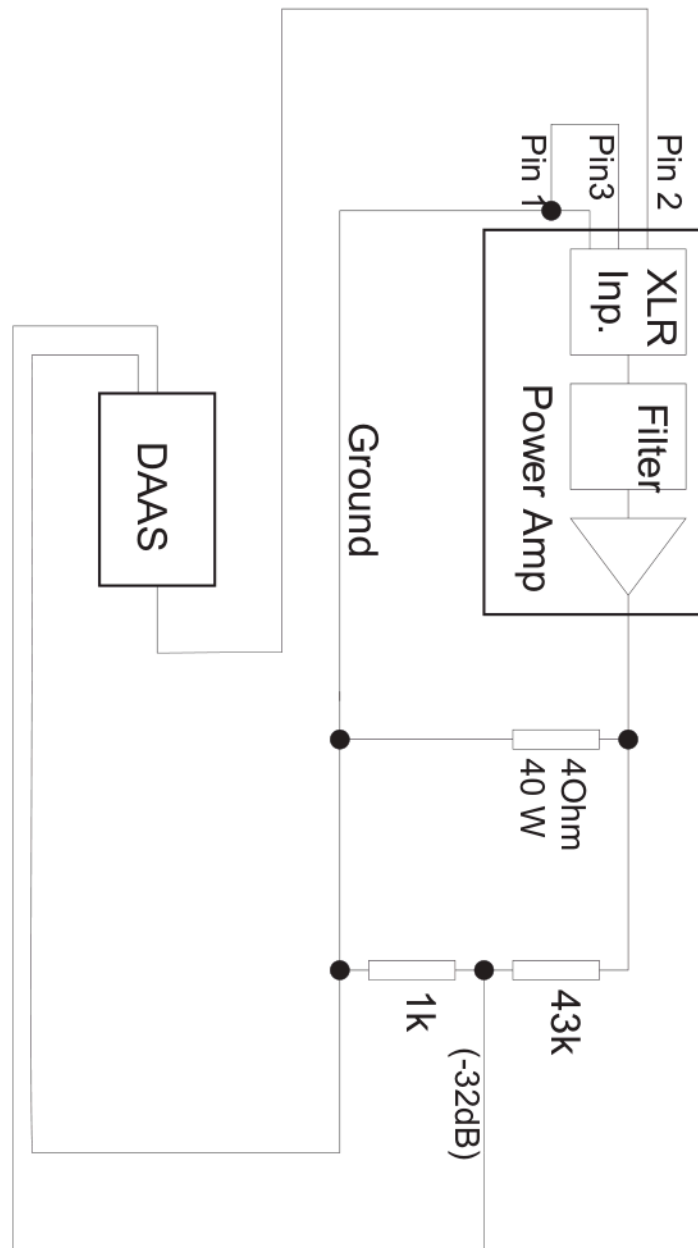
Title		P11A Adam Amplifier power supply	
Company		Hypex Electronics	
Author		Jan-Peter van Amerongen	
Size	B	Revision	1.0
Date:	July 01, 2004 10:25:00	Sheet	4 of 4



**P11** **P22**

Made by:  
[www.hypex.nl](http://www.hypex.nl)  
 25/04/2004





# Amplifier Measurement.