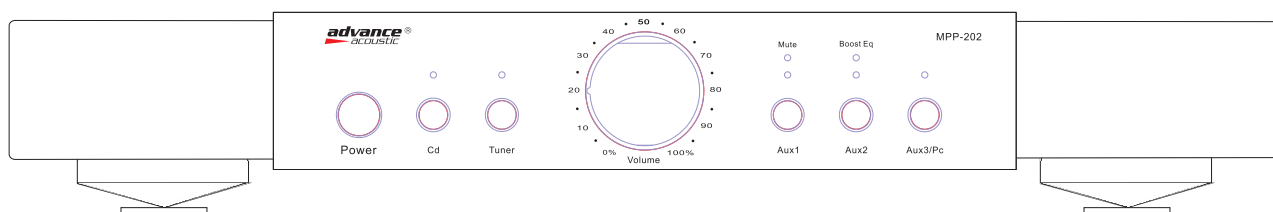


ADVANCE ACOUSTIC

# SERVICE MANUAL

MPP-202

## Audiophile stereo Preamplifier



# CONTENTS

<b>SPECIFICATION</b>	<b>02</b>
<b>CIRCUIT DIAGRAM</b>	<b>03</b>
<b>GENERAL ELECTRONICAL PARTS</b>	<b>08</b>
<b>INPUT PCB</b>	<b>09</b>
Amaa-202 (TOP VIEW)	
Amaa-202 (BOTTOM VIEW)	
<b>CONTROL PCB</b>	<b>13</b>
KaMPP-202 (TOP VIEW)	
KaMPP-202 (BOTTOM VIEW)	
KbMAA-202 (TOP VIEW)	
KbMAA-202 (BOTTOM VIEW)	
<b>POTENTIOMETER PCB</b>	<b>16</b>
WMPP-202 (TOP VIEW)	
WMPP-202 (BOTTOM VIEW)	
<b>POWER SWITCH PCB</b>	<b>18</b>
SMAA-202 (TOP VIEW)	
SMAA-202 (BOTTOM VIEW)	
<b>MECHANICAL PARTS AND ASSEMBLY DIAGRAM</b>	<b>20</b>
<b>PACKING DIAGRAM</b>	<b>22</b>

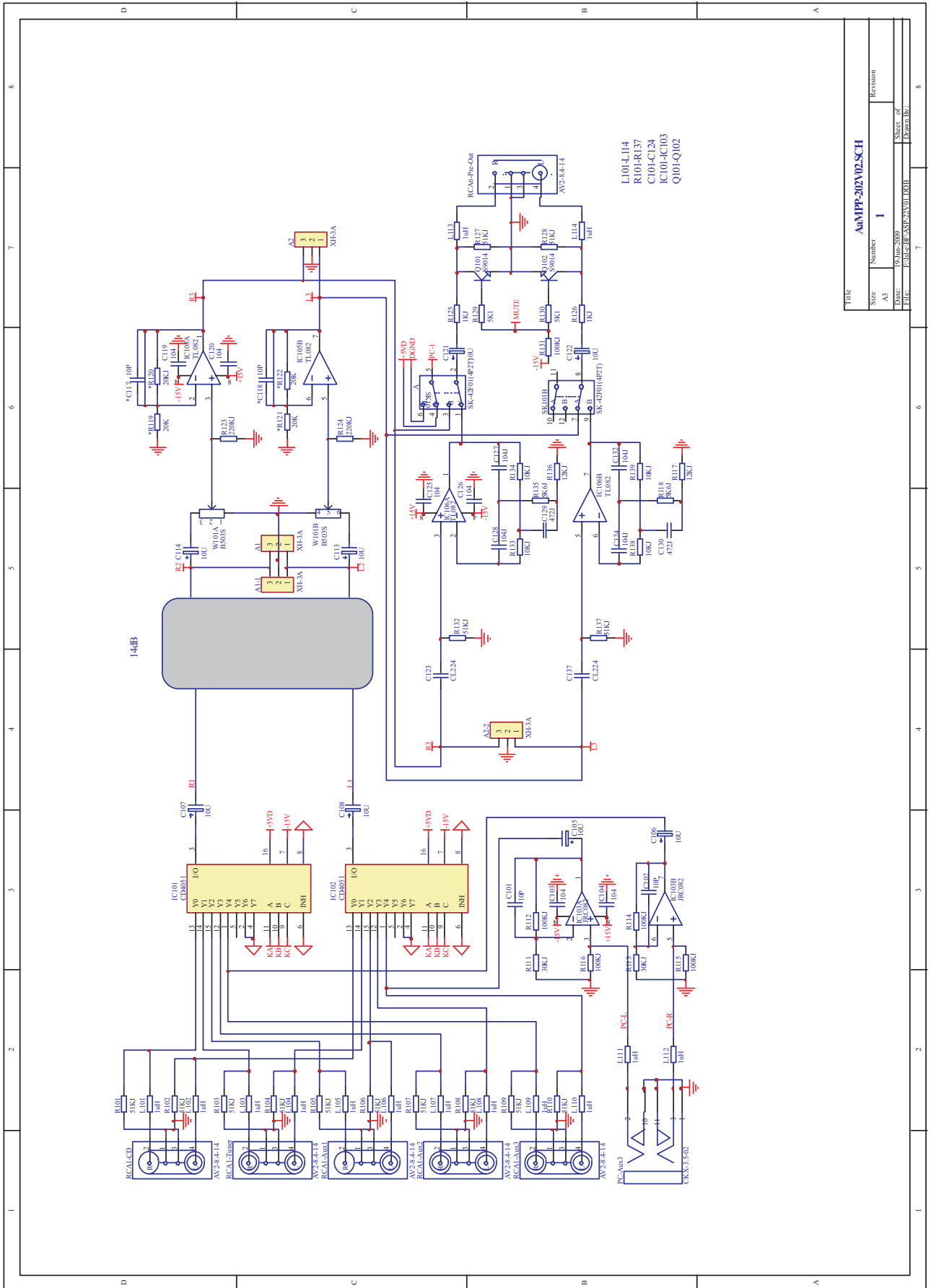
# SPECIFICATIONS

<b>MAX OUTPUT LEVEL</b>	9 +/-0.5dB
<b>FREQUENCY RESPONSE</b>	10Hz-70kHz
<b>DISTORSION</b>	< 0,04%
<b>S/N RATIO</b>	≥100 dB
<b>CHANNEL SEPARATION</b>	≥80 dB
<b>INPUT IMPEDANCE UNBALANCED</b>	23KΩ
<b>IN LEVEL (CD/AUX)</b>	< 500mV
<b>AC INPUT</b>	115-230V
<b>POWER CONSUMPTION MAX</b>	≤12W
<b>TRANSFORMER(S)</b>	1
<b>DIMENSIONS</b>	435x220x65mm
<b>NET WEIGHT / GROSS WEIGHT</b>	2,6 / 3,9 kg

\*Advance Acoustic reserves the right to change or supplement specifications, external appearance and improvements of the product.

# CIRCUIT DIAGRAM

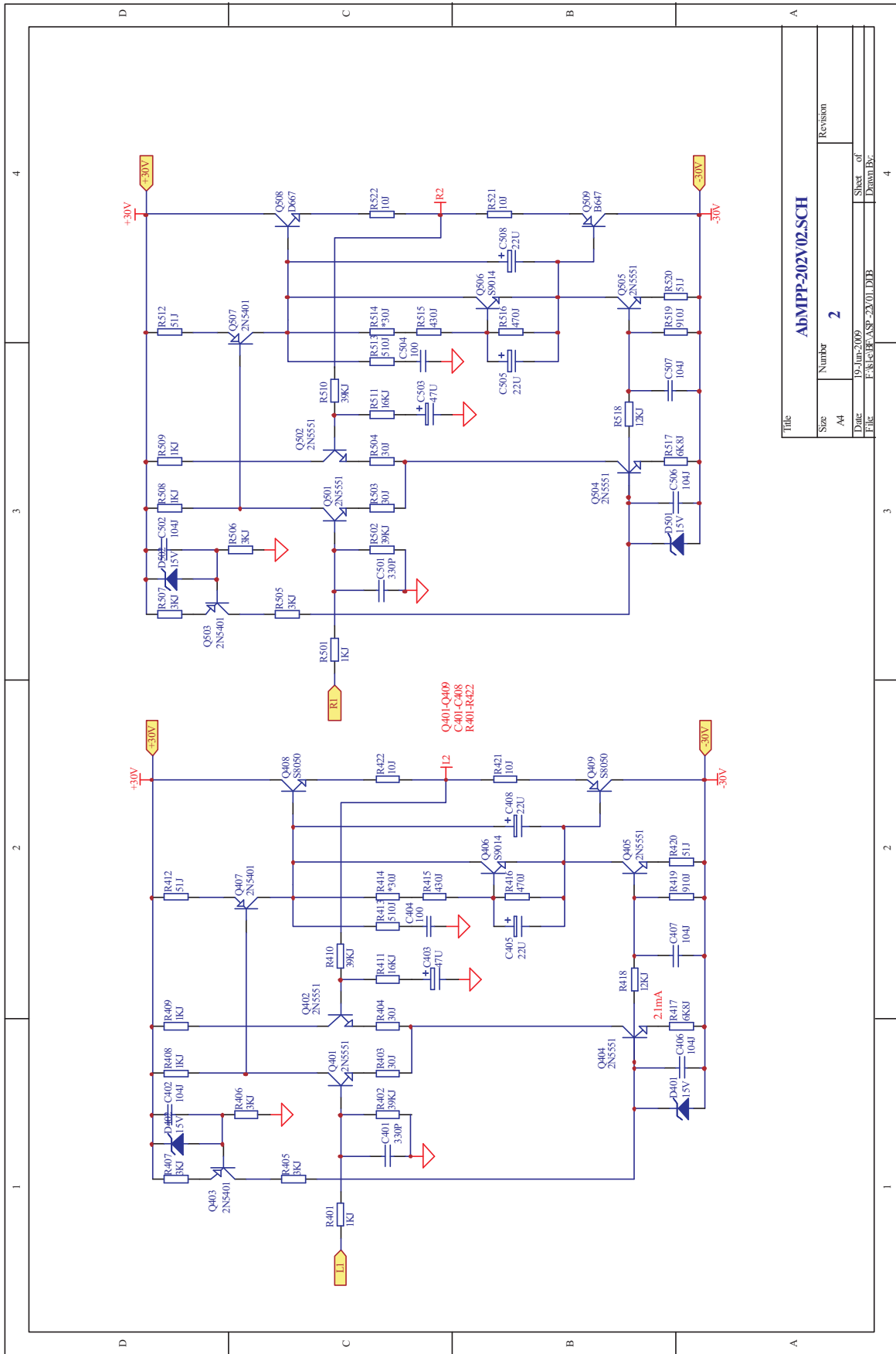
## AaMPP-202S02



- L101-L114
- R101-R137
- C101-C124
- IC101-IC103
- Q101-Q102

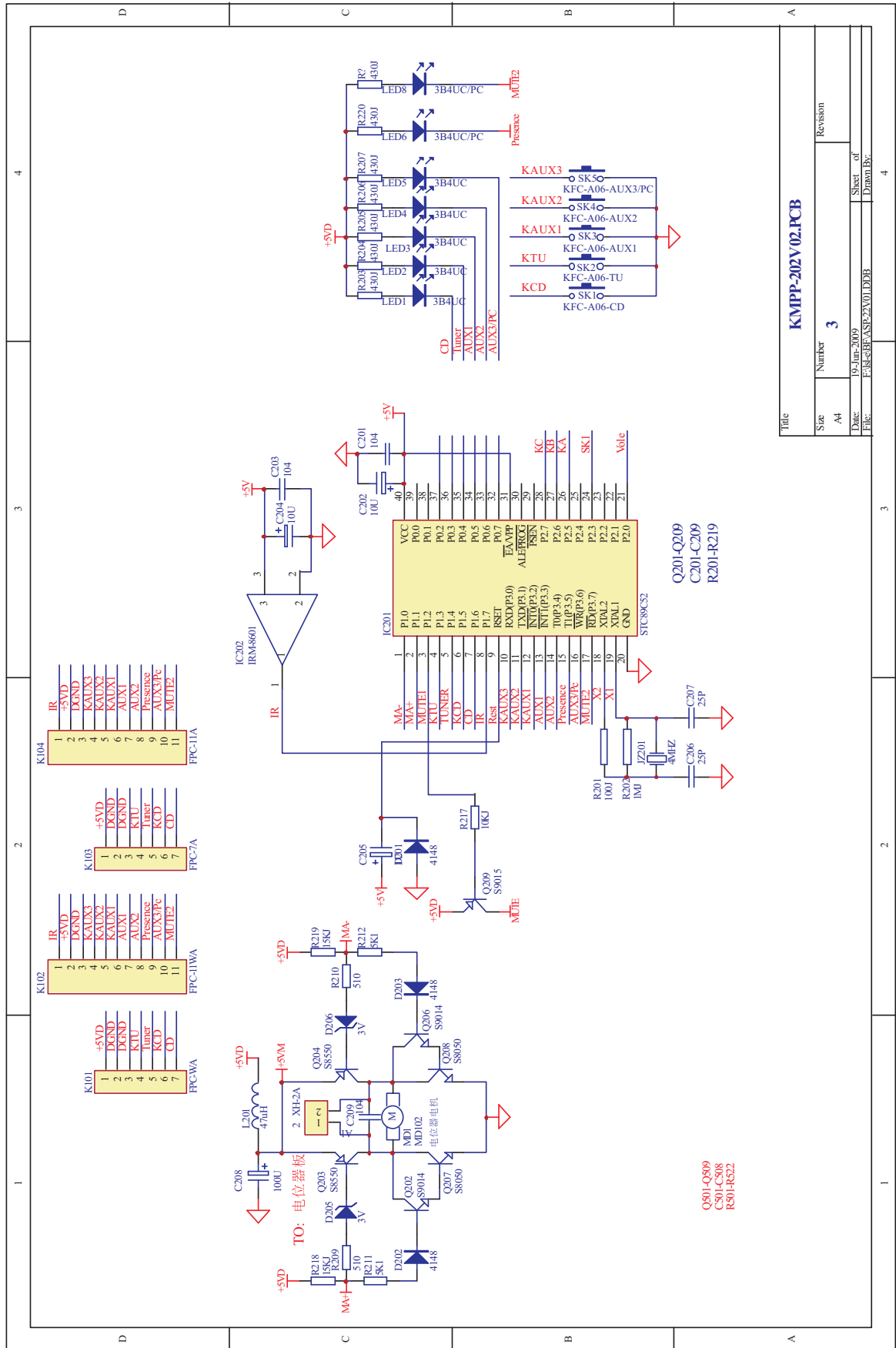
Title		AaMPP-202S02.SCH	
Size	Number	Revision	
A3	1		
Date:	10 June 2009	Sheet of	8
File:	F:\ELEC\CAMP\AV01.DDB	Drawn By:	

# AbMPP-202S02

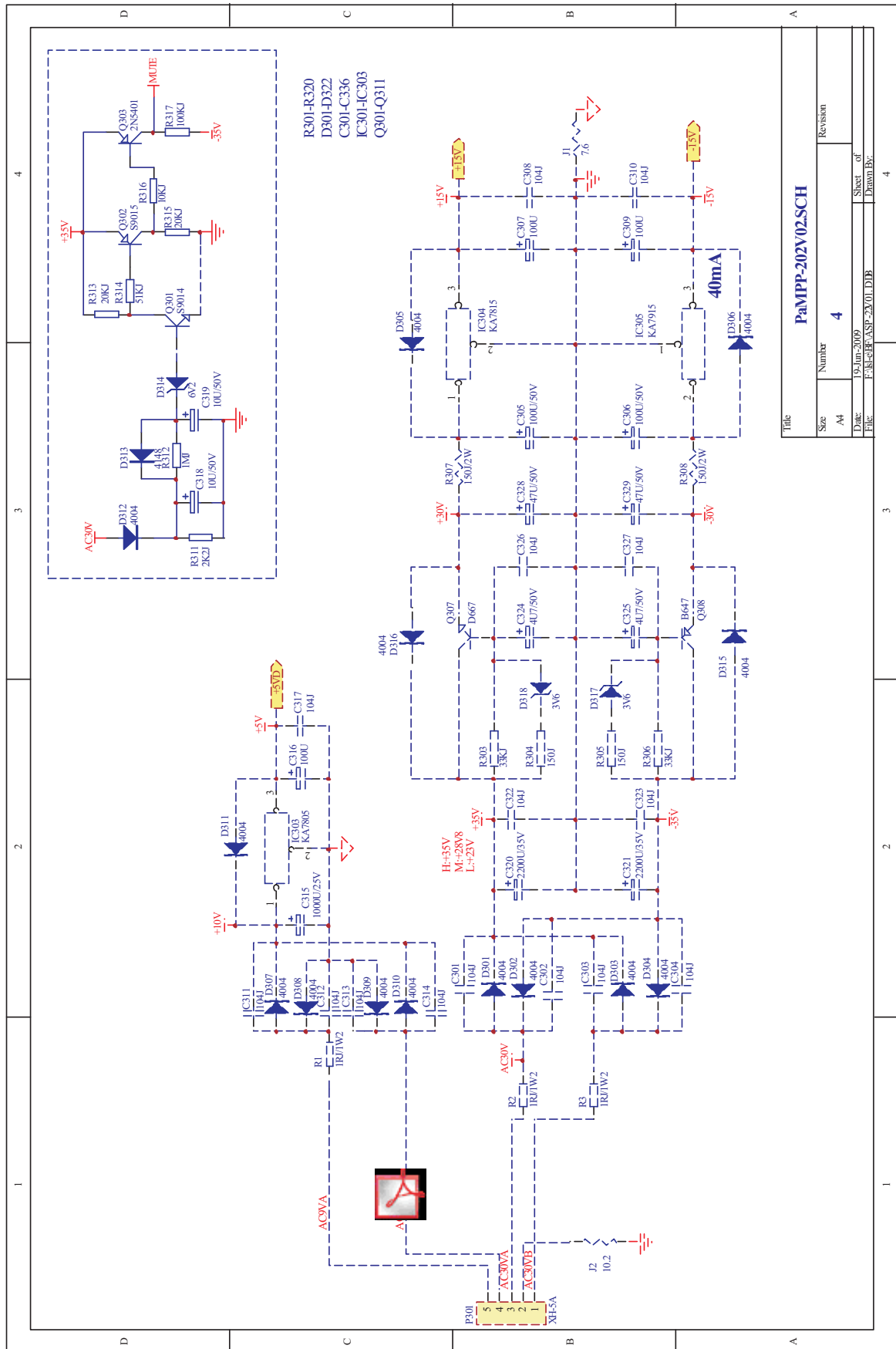


Title		AbMPP-202V02.SCH	
Size	Number	Revision	
A4	2		
Date	19-Jan-2009	Sheet of	4
File	F:\Rt\REF\ASP-2X\01.DIB	Drawn By:	

# KMPP-202S02

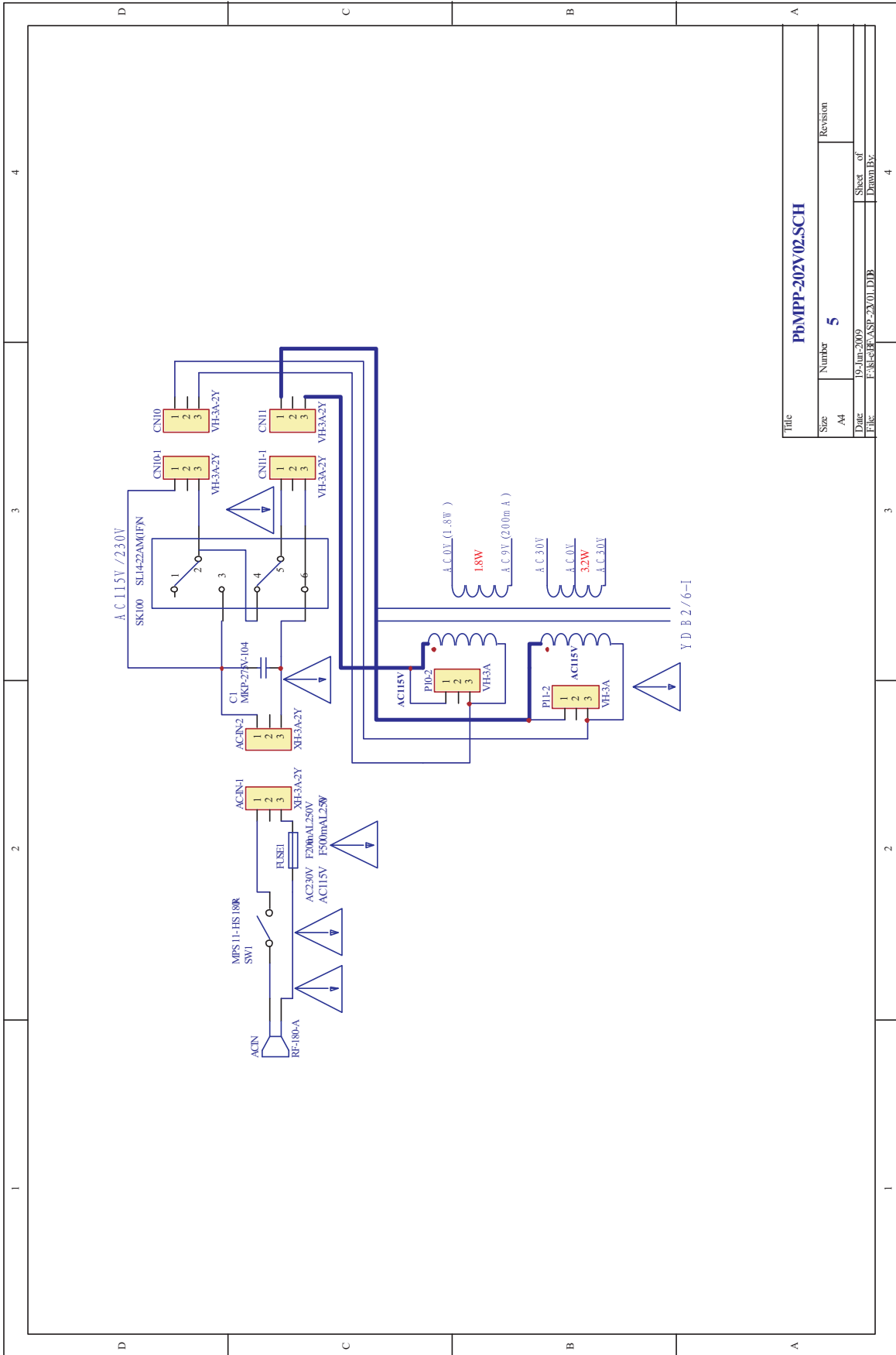


# PaMPP-202S02



Title		Revision	
Size	Number		
A4	4		
Date:	19-Jun-2009	Sheet of	
File:	F:\S&E\PCASH-2X01.DIB	Drawn By:	

# PbMPP-202S02



Title		PbMPP-202V02.SCH	
Size	Number	Revision	
A4	5		
Date	19-Jun-2009		Sheet of
File	F:\3\c\B\ASP-2X\01.DIB		Drawn by

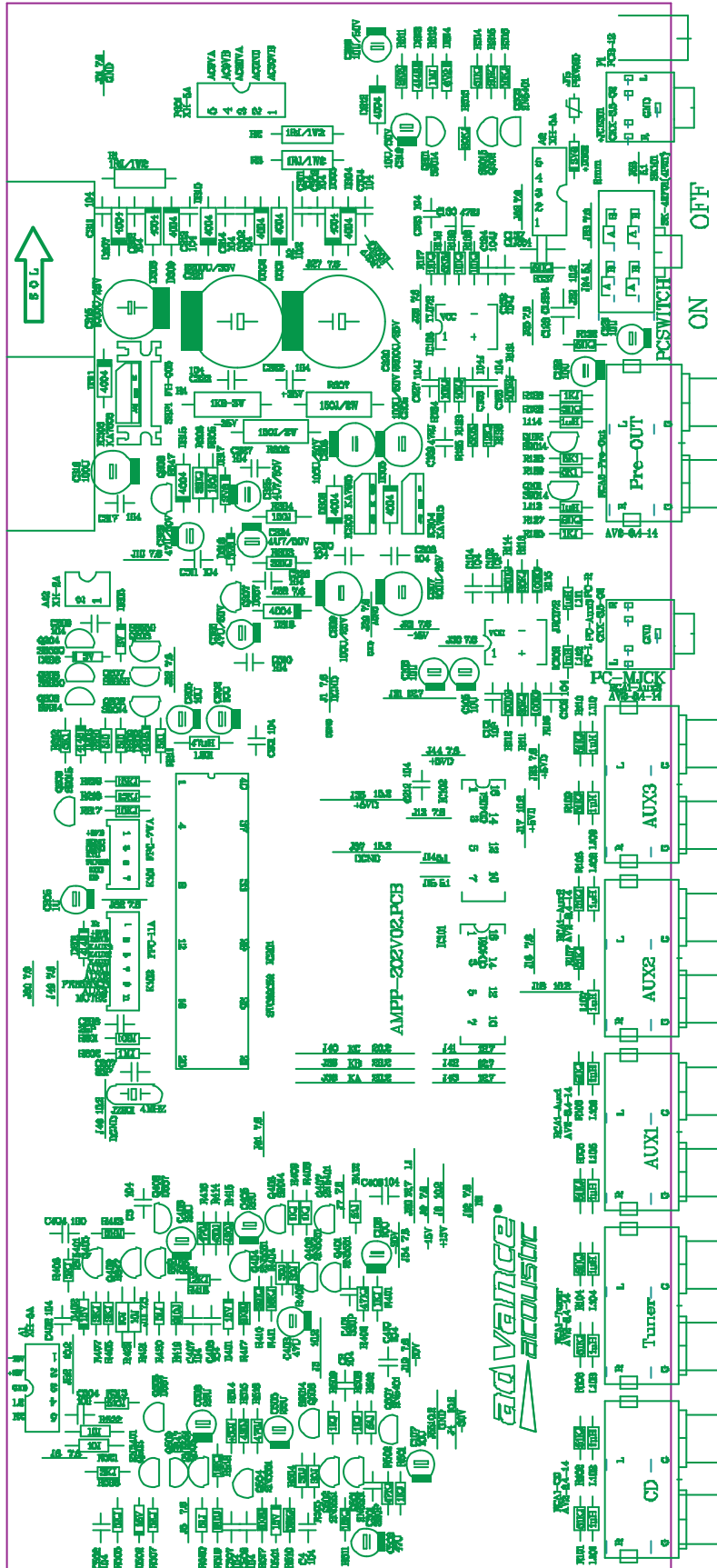


# GENERAL ELECTRONICAL PARTS

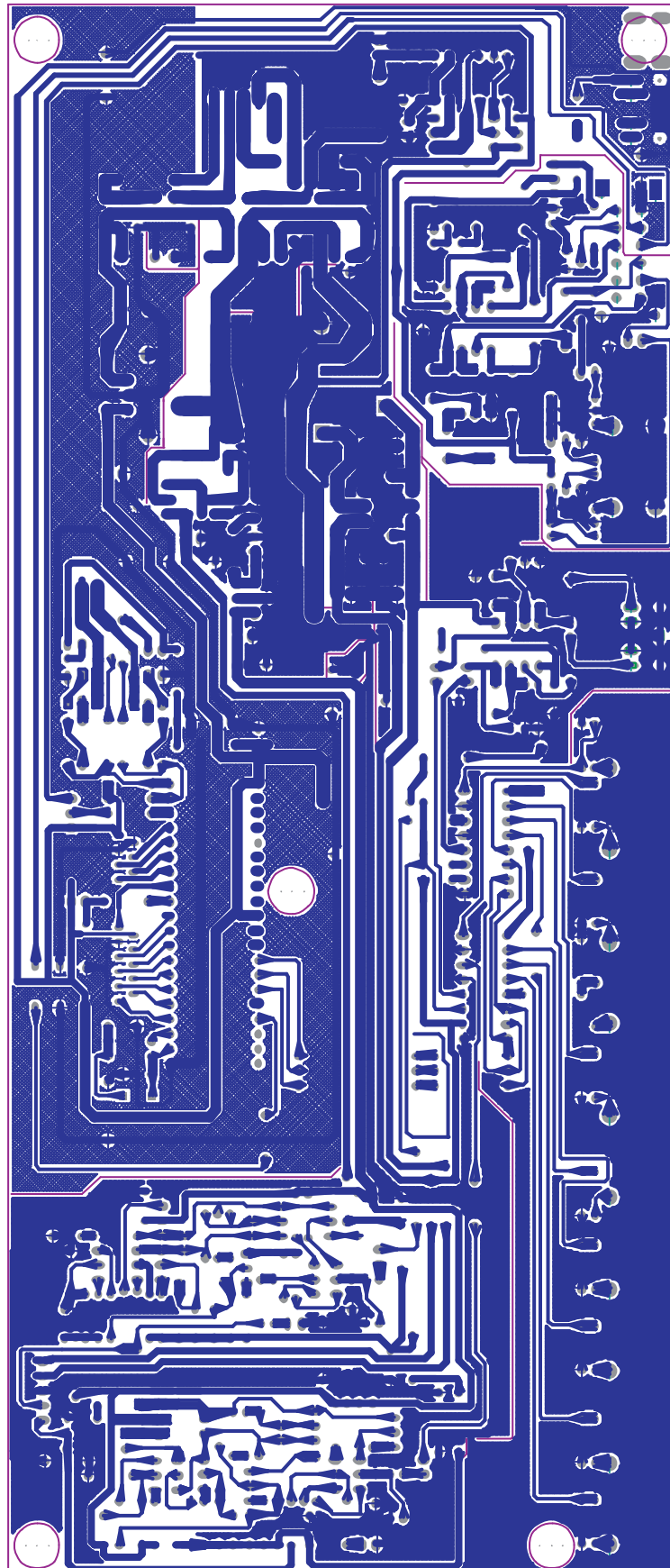
REFERENCE NO.	DESCRIPTION	AMOUNT	UNIT
ZGS05PZ00001	MAGNET RING	1	PCS
ZGS05PZ00002	INPUT PCB AMPP-202V02.CPB	1	PCS
ZGS05PZ00003	CONTROL PCB B KbMPP-202V02.PCB	1	PCS
ZGS05PZ00004	CONTROL PCB A KaMPP-202V02.PCB	1	PCS
ZGS05PZ00005	FUSE F500mA L250V	1	PCS
ZGS05PZ00006	FUSE F200mA L250V	1	PCS
ZGS05PZ00007	FUSE TUBE MF527	1	PCS
ZGS05PZ00008	EUROPEAN STANDARD POWER CORD	1	PCS
ZGS05PZ00009	TRANSFORMER YDB2/6-I	1	PCS
ZGS05PZ00010	POWER CONVERSION PCB Sb402V01.PCB	1	PCS
ZGS05PZ00011	POWER SWITCH PCB SMPP-202V01.PCB	1	PCS
ZGS05PZ00012	POTENTIOMETER PCB WMPP-202V02.PCB	1	PCS
ZGS05PZ00013	POWER SOCKET RF-180-A	1	PCS
ZGS05PZ00014	R5 THERMAL CONTRACTING TUBE	100	MM
ZGS05PZ00015	R45 THERMAL CONTRACTING TUBE	50	MM
ZGS05PZ00016	R25 THERMAL CONTRACTING TUBE	30	MM
ZGS05PZ00017	R20 THERMAL CONTRACTING TUBE	30	MM
ZGS05PZ00018	REMOTE CONTROLLER	1	PCS
ZGS05PZ00019	OWNER'S MANUAL	1	PCS
ZGS05PZ00020	MPP-202 POWER CONNECTING WIRE 01	1	PCS
ZGS05PZ00021	MAA-402 POWER CONNECTING WIRE 02	1	PCS
ZGS05PZ00022	MAA-402 POWER CONNECTING WIRE 01	1	PCS
ZGS05PZ00023	7 WIRE FLAT FILM RIBBON CABLE 220mm	1	PCS
ZGS05PZ00024	3*80 BINDING TAPE	2	PCS
ZGS05PZ00025	3*120 BINDING TAPE	1	PCS
ZGS05PZ00026	11 WIRE FLAT FILM RIBBON CABLE 110mm	1	PCS

# INPUT PCB

## AMAA-202 (TOP VIEW)



Amaa-202 (BOTTOM VIEW)



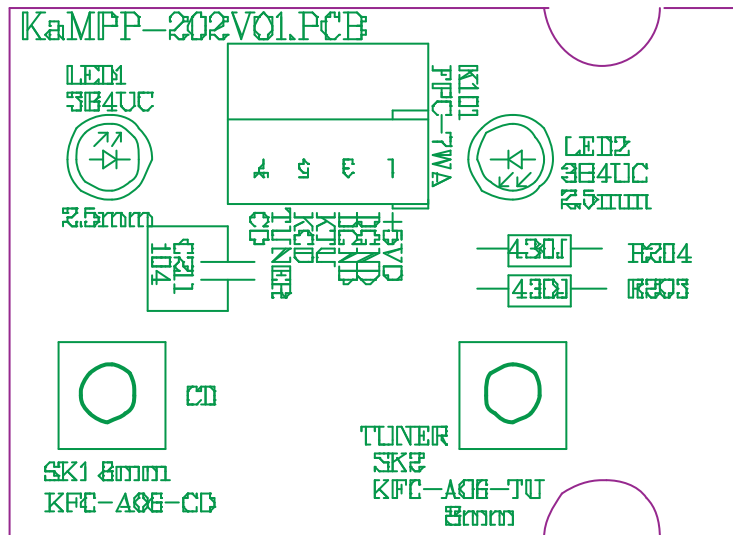
# MPP-202 INPUT PCB

REF. NO.	DESCRIPTION	AMOUNT	UNIT
ZSG05PA00001	DIODE 1W2-6V2	1	PCS
ZSG05PA00002	DIODE 1W2-3V6	2	PCS
ZSG05PA00003	DIODE 1W2-3V	2	PCS
ZSG05PA00004	DIODE 1W2-15V	4	PCS
ZSG05PA00005	JUMPER REX-0.6II-7.6	29	PCS
ZSG05PA00006	JUMPER REX-0.6II-5.1	4	PCS
ZSG05PA00007	JUMPER REX-0.6II-20.2	3	PCS
ZSG05PA00008	JUMPER REX-0.6II-15.2	1	PCS
ZSG05PA00009	JUMPER REX-0.6II-15.2	1	PCS
ZSG05PA00010	JUMPER REX-0.6II-12.7	5	PCS
ZSG05PA00011	JUMPER REX-0.6II-10.2	10	PCS
ZSG05PA00012	JUMPER REX-0.6II	1000	mm
ZSG05PA00013	IC TL072(DIP-8)	2	PCS
ZSG05PA00014	IC STC89C52(DIP40)	1	PCS
ZSG05PA00015	IC KA7915	1	PCS
ZSG05PA00016	IC KA7815	1	PCS
ZSG05PA00017	IC KA7805	1	PCS
ZSG05PA00018	IC CD4051(DIP-16)	2	PCS
ZSG05PA00019	HEAT SINK SHEET FH-008-001	1	PCS
ZSG05PA00020	GROUND TERMINAL PCB-12	1	PCS
ZSG05PA00021	CERAMIC CAPACITOR CC330P±20%	2	PCS
ZSG05PA00022	CERAMIC CAPACITOR CC25P±20%	2	PCS
ZSG05PA00023	CERAMIC CAPACITOR CC10P±20%	2	PCS
ZSG05PA00024	CERAMIC CAPACITOR CC104±20%	35	PCS
ZSG05PA00025	CERAMIC CAPACITOR CC100±20%	2	PCS
ZSG05PA00026	POLYESTER CAPACITOR CL224±5%	2	PCS
ZSG05PA00027	METAL FILM RESISTOR RJ-3W-1K6±1%	1	PCS
ZSG05PA00028	METAL FILM RESISTOR RJ-2W-150±1%	2	PCS
ZSG05PA00029	METAL FILM RESISTOR RJ-1W6-910±1%	2	PCS
ZSG05PA00030	METAL FILM RESISTOR RJ-1W6-6K8±1%	2	PCS
ZSG05PA00031	METAL FILM RESISTOR RJ-1W6-5K6±1%	2	PCS
ZSG05PA00032	METAL FILM RESISTOR RJ-1W6-5K1±5%	4	PCS
ZSG05PA00033	METAL FILM RESISTOR RJ-1W6-51K±1%	15	PCS
ZSG05PA00034	METAL FILM RESISTOR RJ-1W6-510±5%	2	PCS
ZSG05PA00035	METAL FILM RESISTOR RJ-1W6-510±1%	2	PCS
ZSG05PA00036	METAL FILM RESISTOR RJ-1W6-51±1%	4	PCS
ZSG05PA00037	METAL FILM RESISTOR RJ-1W6-47K±1%	2	PCS
ZSG05PA00038	METAL FILM RESISTOR RJ-1W6-470±1%	2	PCS
ZSG05PA00039	METAL FILM RESISTOR RJ-1W6-430±1%	2	PCS
ZSG05PA00040	METAL FILM RESISTOR RJ-1W6-3K±1%	6	PCS
ZSG05PA00041	METAL FILM RESISTOR RJ-1W6-39K±1%	2	PCS
ZSG05PA00042	METAL FILM RESISTOR RJ-1W6-30K±1%	2	PCS
ZSG05PA00043	METAL FILM RESISTOR RJ-1W6-30±1%	2	PCS
ZSG05PA00044	METAL FILM RESISTOR RJ-1W6-30±1%	4	PCS
ZSG05PA00045	METAL FILM RESISTOR RJ-1W6-2K2±1%	1	PCS
ZSG05PA00046	METAL FILM RESISTOR RJ-1W6-20K±1%	2	PCS
ZSG05PA00047	METAL FILM RESISTOR RJ-1W6-1M±1%	2	PCS
ZSG05PA00048	METAL FILM RESISTOR RJ-1W6-1K±1%	8	PCS
ZSG05PA00049	METAL FILM RESISTOR RJ-1W6-16K±1%	2	PCS

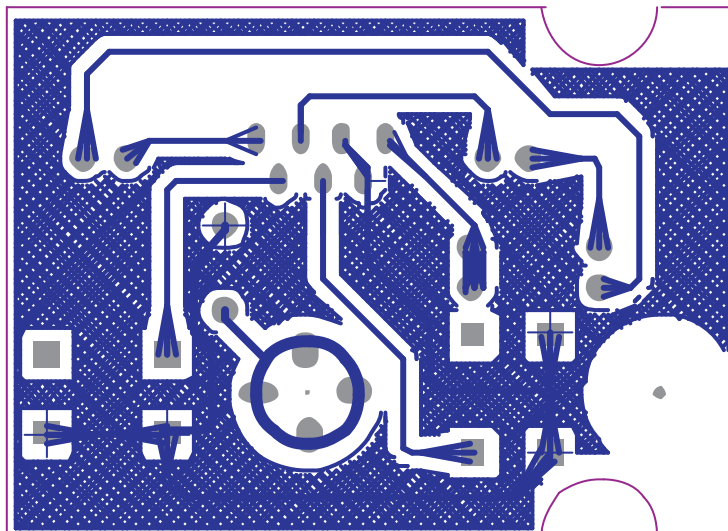
ZSG05PA00050	METAL FILM RESISTOR RJ-1W6-15K±1%	2	PCS
ZSG05PA00051	METAL FILM RESISTOR RJ-1W6-12K±1%	4	PCS
ZSG05PA00052	METAL FILM RESISTOR RJ-1W6-10K±1%	6	PCS
ZSG05PA00053	METAL FILM RESISTOR RJ-1W6-100K±1%	5	PCS
ZSG05PA00054	METAL FILM RESISTOR RJ-1W6-100±1%	1	PCS
ZSG05PA00055	METAL FILM RESISTOR RJ-1W4-33K±1%	2	PCS
ZSG05PA00056	METAL FILM RESISTOR RJ-1W4-150±1%	2	PCS
ZSG05PA00057	METAL FILM RESISTOR RJ-1W4-10±1%	4	PCS
ZSG05PA00058	METAL FILM RESISTOR RJ-1W2-1R±1%	3	PCS
ZSG05PA00059	METAL FILM CAPACITOR CL4700P±5%	2	PCS
ZSG05PA00060	METAL FILM CAPACITOR CL104J±5%	4	PCS
ZSG05PA00061	CRYSTAL OSCILLATOR 4MHZ(HC49U)	1	PCS
ZSG05PA00062	MIC SOCKET CKX-3.5-02	1	PCS
ZSG05PA00063	DIP SWITCH SK-42F01(L=9mm)	1	PCS
ZSG05PA00064	SINGLE SIDED PCB:AMPP-202V02.PCB	1	PCS
ZSG05PA00065	NEILSBED XH-5A	2	PCS
ZSG05PA00066	NEILSBED XH-2A	1	PCS
ZSG05PA00067	NEILSBED FPC-7A	1	PCS
ZSG05PA00068	NEILSBED FPC-11A	1	PCS
ZSG05PA00069	BARCODE LABEL	2	PCS
ZSG05PA00070	SAME WIRED SOCKET AV2-8.4-14	6	PCS
ZSG05PA00071	SAME WIRED SOCKET AV2-8.4-14	1	PCS
ZSG05PA00072	ELECTROLYTIC CAPACITOR CD11-50V-4U7±20%	2	PCS
ZSG05PA00073	ELECTROLYTIC CAPACITOR CD11-50V-47UF±20%	2	PCS
ZSG05PA00074	ELECTROLYTIC CAPACITOR CD11-50V-1UF±20%	1	PCS
ZSG05PA00075	ELECTROLYTIC CAPACITOR CD11-50V-10UF±20%	8	PCS
ZSG05PA00076	ELECTROLYTIC CAPACITOR CD11-50V-10UF±20%	2	PCS
ZSG05PA00077	ELECTROLYTIC CAPACITOR CD11-50V-100UF±20%	2	PCS
ZSG05PA00078	ELECTROLYTIC CAPACITOR CD11-35V-2200UF±20%	2	PCS
ZSG05PA00079	ELECTROLYTIC CAPACITOR CD11-25V-1000UF±20%	1	PCS
ZSG05PA00080	ELECTROLYTIC CAPACITOR CD11-16V-47UF±20%	2	PCS
ZSG05PA00081	ELECTROLYTIC CAPACITOR CD11-16V-22UF±20%	4	PCS
ZSG05PA00082	ELECTROLYTIC CAPACITOR CD11-16V-100UF±20%	3	PCS
ZSG05PA00083	INDUCTOR 1W8-1uH	14	PCS
ZSG05PA00084	INDUCTOR 1W4-47uH	1	PCS
ZSG05PA00085	TRIODE S9015	2	PCS
ZSG05PA00086	TRIODE S9014	7	PCS
ZSG05PA00087	TRIODE S8550	2	PCS
ZSG05PA00088	TRIODE S8050	2	PCS
ZSG05PA00089	TRIODE D667	3	PCS
ZSG05PA00090	TRIODE B647	3	PCS
ZSG05PA00091	TRIODE 2N5551	8	PCS
ZSG05PA00092	TRIODE 2N5401	5	PCS
ZSG05PA00093	DIODE 1N4148	1	PCS
ZSG05PA00094	DIODE 1N4148	3	PCS
ZSG05PA00095	DIODE 1N4004	14	PCS
ZSG05PA00096	5A WIRED RIBBON CABLE,250mm	1	PCS
ZSG05PA00097	5A WIRED RIBBON CABLE,150mm	1	PCS
ZSG05PA00098	1.2 SOLDER WIRE	5	G

# CONTROL PCB

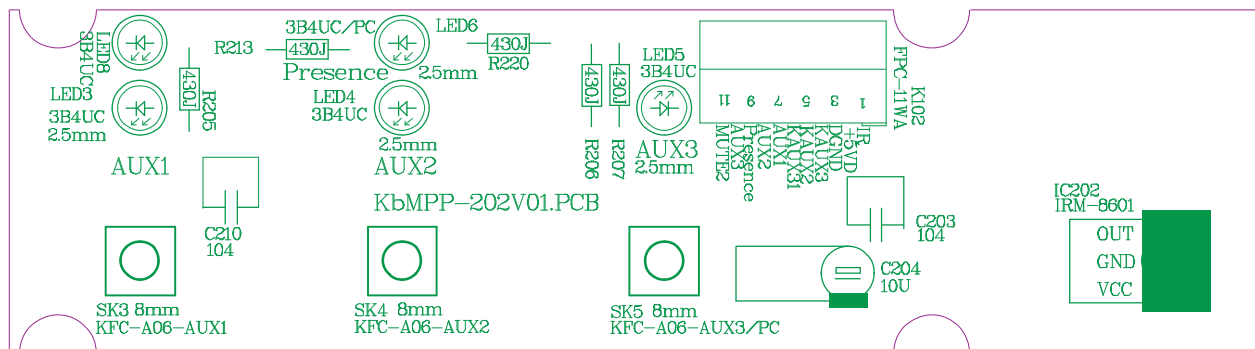
## KaMPP-202 (TOP VIEW)



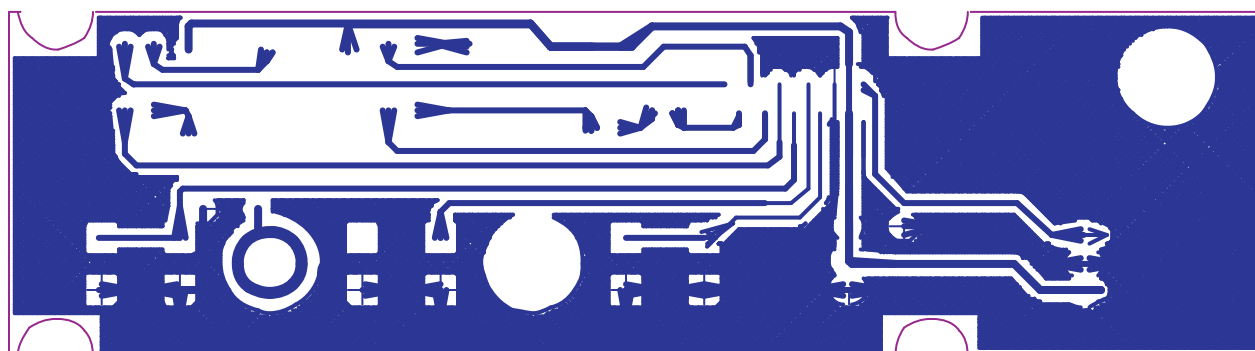
## KaMPP-202 (BOTTOM VIEW)



# KbMAA-202 (TOP VIEW)



# KbMAA-202 (BOTTOM VIEW)



## MPP-202 CONTROL PCB A

REF. NO.	DESCRIPTION	AMOUNT	UNIT
ZGS05PKa00001	BLUE LED 3B4UC	2	PCS
ZGS05PKa00002	CERAMIC CAPACITOR CC104±20%	1	PCS
ZGS05PKa00003	SOFT SWITCH KFC-01-08	3	PCS
ZGS05PKa00004	METAL FILM RESISTOR RJ-1W6-430±1%	2	PCS
ZGS05PKa00005	SINGLE SIDED PCB KaMPP-202V02.PCB	1	PCS
ZGS05PKa00006	NEILSBED FPC-7WA	1	PCS
ZGS05PKa00007	BARCODE LABEL	1	PCS
ZGS05PKa00008	R5 LED TUBE 5*2mm	2	PCS
ZGS05PKa00009	1.2 SOLDER WIRE	1	G

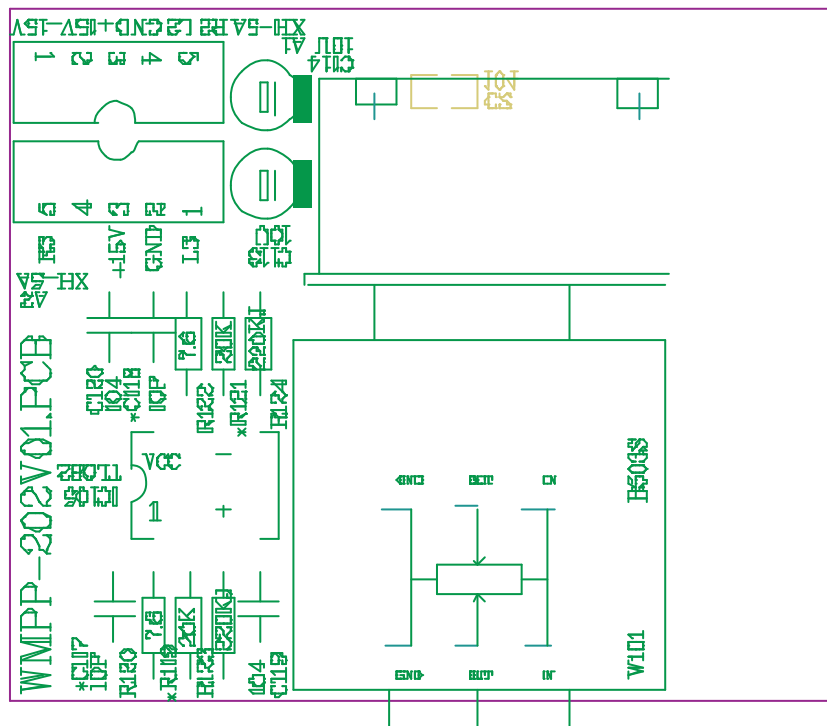
## MPP-202 CONTROL PCB B

REF. NO.	DESCRIPTION	AMOUNT	UNIT
ZGS05PKb00001	REMOTE RECEIVING PICKUP IRM-8601	1	PCS
ZGS05PKb00002	BLUE LED 3B4UC	5	PCS
ZGS05PKb00003	CERAMIC CC104±20%	2	PCS
ZGS05PKb00004	SOFT SWITCH KFC-01-08	1	PCS
ZGS05PKb00005	METAL FILM RESISTOR RJ-1W6-430±1%	5	PCS
ZGS05PKb00006	SINGLE SIDED PCB:KbMPP-202V02.PCB	1	PCS
ZGS05PKb00007	NEILSBED FPC-11WA	1	PCS
ZGS05PKb00008	BARCODE LABEL	2	PCS
ZGS05PKb00009	ELECTROLYTIC CAPACITOR CD11-50V-10UF±20%	1	PCS
ZGS05PKb00010	R5 LED TUBE 5*2mm	5	PCS
ZGS05PKb00011	1.2 SOLDER WIRE	2	G

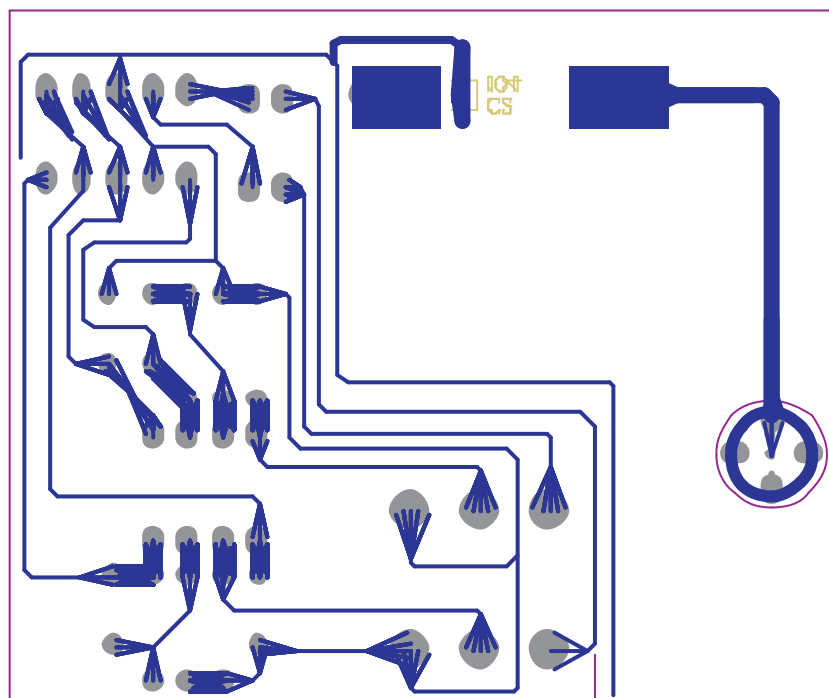


# POTENTIOMETER PCB

## WMPP-202 (TOP VIEW)



## WMPP-202 (BOTTOM VIEW)

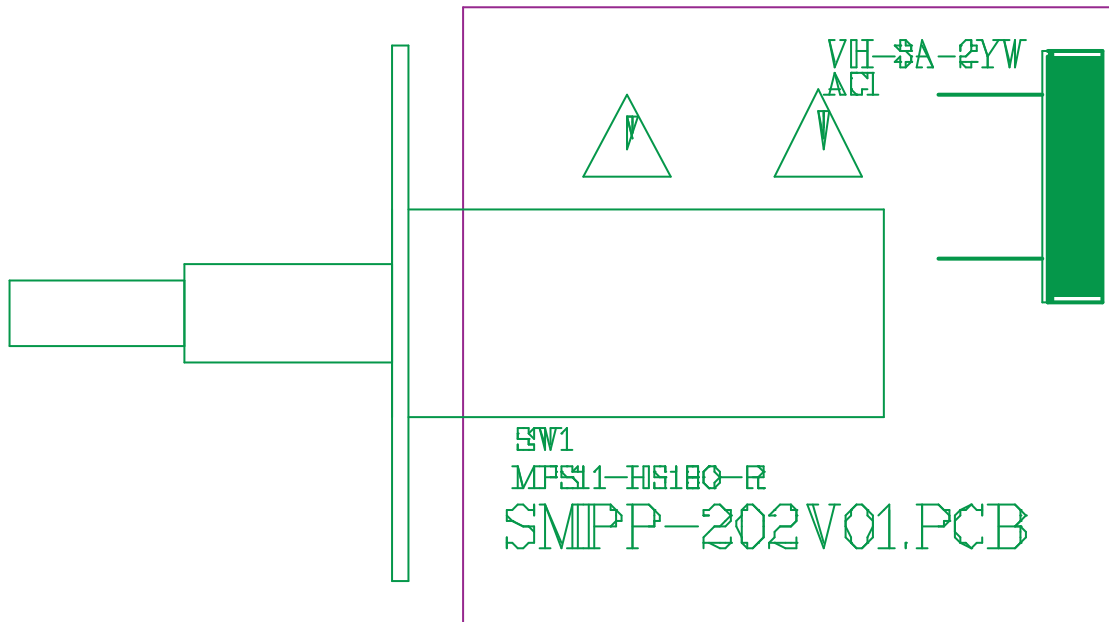


## MPP-202 POTENTIOMETER PCB

REFERENCE NO.	DESCRIPTION	AMOUNT	UNIT
ZGS05PW00001	JUMPER REX-0.6II-7.6	2	PCS
ZGS05PW00002	IC TL072(DIP-8)	1	PCS
ZGS05PW00003	CERAMIC CAPACITOR CC104±20%	2	PCS
ZGS05PW00004	CHIP CAPACITOR CT4-0805-X7R-104-M-50-N-T	1	PCS
ZGS05PW00005	METAL FILM RESISTOR RJ-1W6-220K±1%	2	PCS
ZGS05PW00006	SINGLE SIDED PCB WMPP-202V02.PCB	1	PCS
ZGS05PW00007	NEILSBED XH-5A	2	PCS
ZGS05PW00008	BARCODELABEL	2	PCS
ZGS05PW00009	ELECTROLYTIC CAPACITOR CD11-50V-10UF±20%	2	PCS
ZGS05PW00010	POTENTIOMETER RK27112MC01E(ALPS-50KA)	1	PCS
ZGS05PW00011	1.2 SOLDER WIRE	2	G

# POWER SWITCH PCB

## SMAA-202 (TOP VIEW)



## SMAA-202 (BOTTOM VIEW)



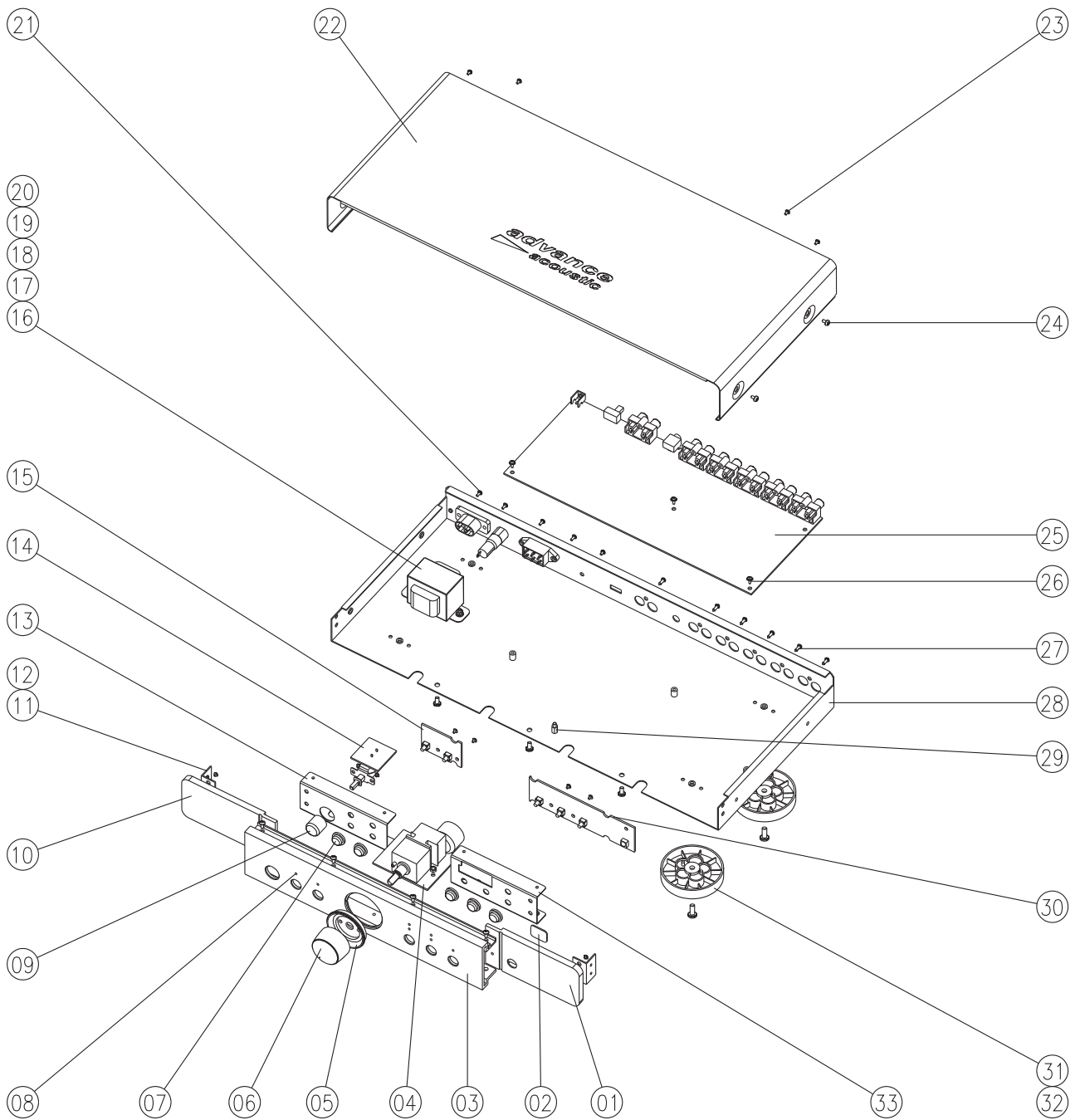
## MPP-202 POWER SWITCH PCB A

REFERENCE NO.	DESCRIPTION	AMOUNT	UNIT
ZGS05PS00001	SOCKET VH-3A-2YW	1	PCS
ZGS05PS00002	SINGLE SIDED PCB SMPP-202V01.PCB	1	PCS
ZGS05PS00003	BARCODE LABEL	2	PCS
ZGS05PS00004	POWER SWITCH MPS11-HS180-R	1	
ZGS05PS00005	1.2 SOLDER WIRE	2	G

## MPP-202 POWER SWITCH PCB B

REF. NO.	DESCRIPTION	AMOUNT	UNIT
ZGS05PSb00001	PLUGGING SHEET 6.35	2	PCS
ZGS05PSb00002	NEILSBED VH3	2	PCS
ZGS05PSb00003	CAPACITOR MX2-275V-104J+/-5%	1	PCS
ZGS05PSb00004	DOUBLE SIDED PCB: Sb402V01.PCB	1	PCS
ZGS05PSb00005	AC115V/230V POWER SUPPLY SWITCH SL14-22AM(1F)N	1	PCS
ZGS05PSb00006	1.2 SOLDER WIRE	3	G

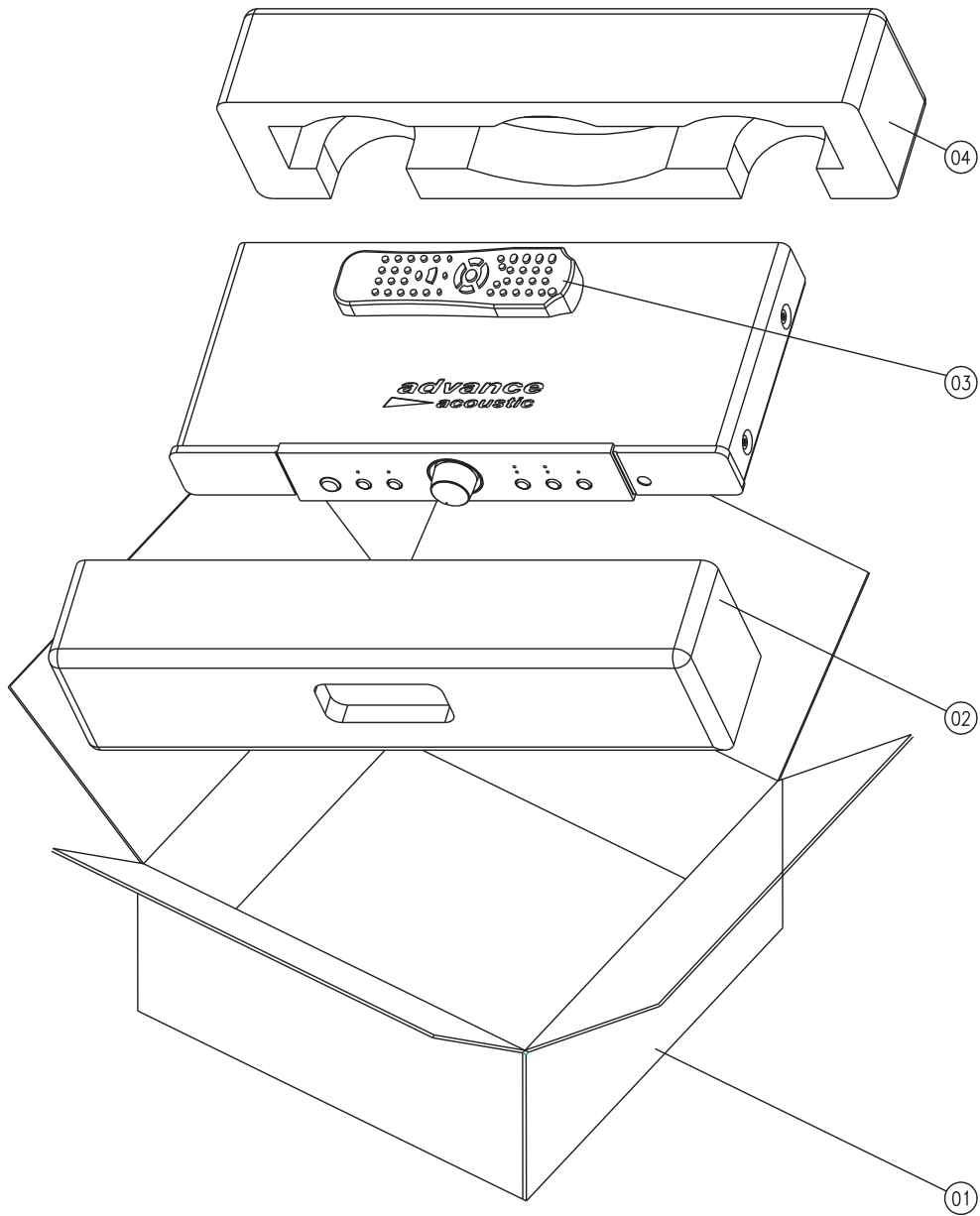
# MECHANICAL PARTS AND ASSEMBLY DIAGRAM



## MPP-202 MECHANICAL PARTS

ID	DESCRIPTION	REFERENCE	AMOUNT	UNIT
1	FRONT PANEL RIGHT	ZGS05PM00001	1	PCS
2	WINDOW	ZGS05PM00002	1	PCS
3	FRONT PANEL CENTER	ZGS05PM00003	1	PCS
4	POTENTIOMETER PCB	ZGS05PM00004	1	PCS
5	PLASTIC RING	ZGS05PM00005	1	PCS
6	PLASTIC KNOB	ZGS05PM00006	1	PCS
7	FUNCTION BUTTON	ZGS05PM00007	5	PCS
8	LED CAP	ZGS05PM00008	7	PCS
9	POWER BUTTON	ZGS05PM00009	1	PCS
10	FRONT PANEL LEFT	ZGS05PM00010	1	PCS
11	FRONT PANEL CONNECTING STRIP	ZGS05PM00011	2	PCS
12	PWM3*4 SCREW	ZGS05PM00012	9	PCS
13	LEFT CONNECTING PLATE	ZGS05PM00013	1	PCS
14	SWITCH PCB	ZGS05PM00014	1	PCS
15	CONTROL PCB A	ZGS05PM00015	1	PCS
16	M3 SCREW NUT	ZGS05PM00016	3	PCS
17	FLAT WASHER 3	ZGS05PM00017	2	PCS
18	SPRING MAT 3	ZGS05PM00018	2	PCS
19	PWM3*10 SCREW	ZGS05PM00019	2	PCS
20	EI TRANSFORMER	ZGS05PM00020	1	PCS
21	PM3*8 SCREW	ZGS05PM00021	4	PCS
22	TOP COVER	ZGS05PM00022	1	PCS
23	PM3*6 SCREW	ZGS05PM00023	19	PCS
24	PM4*6 SCREW	ZGS05PM00024	4	PCS
25	INPUT PCB	ZGS05PM00025	1	PCS
26	PWM3*6 SCREW	ZGS05PM00026	10	PCS
27	ST2.9*10 SCREW	ZGS05PM00027	6	PCS
28	BOTTOM PANEL	ZGS05PM00028	1	PCS
29	HEXAGONOL COPPER PILLAR	ZGS05PM00029	1	PCS
30	CONTROL PCB B	ZGS05PM00030	1	PCS
31	FEET	ZGS05PM00031	4	PCS
32	PM4*8 SCREW	ZGS05PM00032	4	PCS
33	RIGHT CONNECTING PLATE	ZGS05PM00033	1	PCS

# PACKING DIAGRAM



04	REAR FOAM STRIP		1
03	REMOTE		1
02	FRONT FOAM STRIP		1
01	MPP-202 PACKING CARTON		1
NO.	Parts Name and Explain	Parts number	Quantity
MPP-202 packing explosive view		AUTHORIZED	
		VERSION	01
DRAWING		DRAWING NO	
CHECKED		ADVANCE PARIS	
AUDITING			

