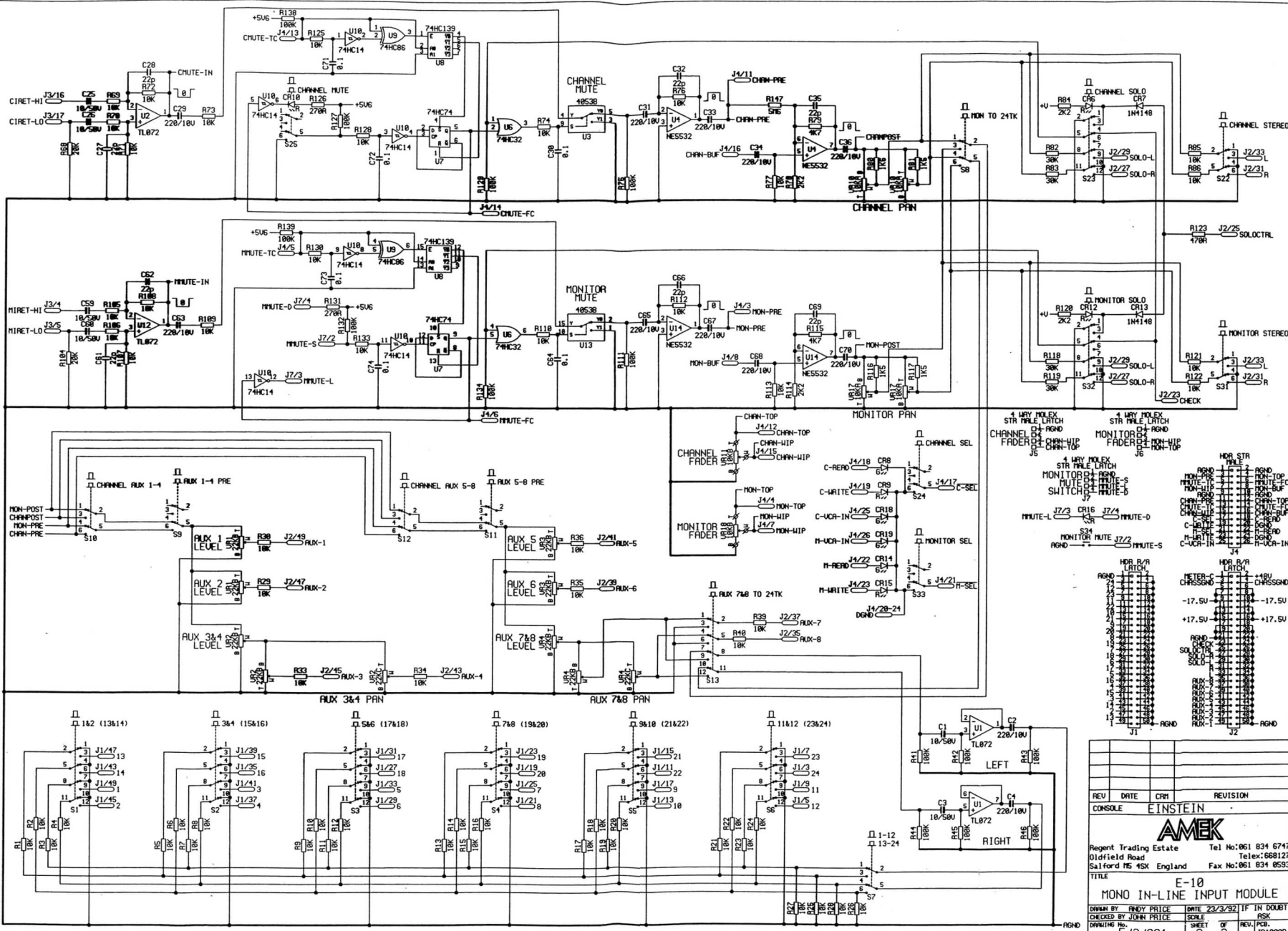


HOR. STR. TABLE

AGND	1	2	METER
AGND	3	4	LINE-HI
AGND	5	6	AGND
AGND	7	8	BUSS-LO
AGND	9	10	BUSS-HI
AGND	11	12	TAPE-LO
AGND	13	14	TAPE-HI
AGND	15	16	AGND
AGND	17	18	LINE-HI
AGND	19	20	AGND
AGND	21	22	LINE-LO
AGND	23	24	AGND
AGND	25	26	MIC-HI
AGND	27	28	MIC-LO
AGND	29	30	AGND

REV	DATE	CRM	REVISION
CONSOLE			
EINSTEIN			
<b>AMEK</b>			
Regent Trading Estate		Tel No:061 834 6747	
Oldfield Road		Telex:668127	
Salford Rd MS 45K England		Fax No:061 834 0593	
TITLE			
E-10			
MONO IN-LINE INPUT MODULE			
DRAWN BY: ANDY PRICE		DATE: 23/3/92 IF IN DOUBT	
CHECKED BY: JOHN PRICE		SCALE: ASK	
DRAWING NO. E/3/001		SHEET OF REV./PAGES: 1 2 JP1000B	

19 July 92



REV	DATE	CR1	REVISION
CONSOLE <b>EINSTEIN</b>			
<b>AMEK</b>		Tel No: 061 834 6747 Telex: 688127	
Regent Trading Estate Oldfield Road Salford RS 45X England		Fax No: 061 834 9553	
TITLE			
E-10 MONO IN-LINE INPUT MODULE			
DRAWN BY	ANDY PRICE	DATE	23/3/92
CHECKED BY	JOHN PRICE	SCALE	IF IN DOUBT ASK
DRAWING NO.	E/3/001	SHEET	2 OF 2
		REV.	1
		REV.	2
		REV.	3
		REV.	4
		REV.	5
		REV.	6
		REV.	7
		REV.	8
		REV.	9
		REV.	10
		REV.	11
		REV.	12
		REV.	13
		REV.	14
		REV.	15
		REV.	16
		REV.	17
		REV.	18
		REV.	19
		REV.	20
		REV.	21
		REV.	22
		REV.	23
		REV.	24
		REV.	25
		REV.	26
		REV.	27
		REV.	28
		REV.	29
		REV.	30
		REV.	31
		REV.	32
		REV.	33
		REV.	34
		REV.	35
		REV.	36
		REV.	37
		REV.	38
		REV.	39
		REV.	40
		REV.	41
		REV.	42
		REV.	43
		REV.	44
		REV.	45
		REV.	46
		REV.	47
		REV.	48
		REV.	49
		REV.	50
		REV.	51
		REV.	52
		REV.	53
		REV.	54
		REV.	55
		REV.	56
		REV.	57
		REV.	58
		REV.	59
		REV.	60
		REV.	61
		REV.	62
		REV.	63
		REV.	64
		REV.	65
		REV.	66
		REV.	67
		REV.	68
		REV.	69
		REV.	70
		REV.	71
		REV.	72
		REV.	73
		REV.	74
		REV.	75
		REV.	76
		REV.	77
		REV.	78
		REV.	79
		REV.	80
		REV.	81
		REV.	82
		REV.	83
		REV.	84
		REV.	85
		REV.	86
		REV.	87
		REV.	88
		REV.	89
		REV.	90
		REV.	91
		REV.	92
		REV.	93
		REV.	94
		REV.	95
		REV.	96
		REV.	97
		REV.	98
		REV.	99
		REV.	100