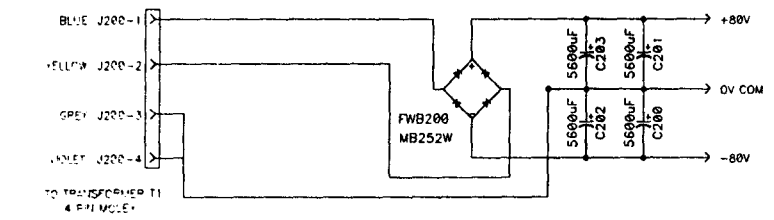
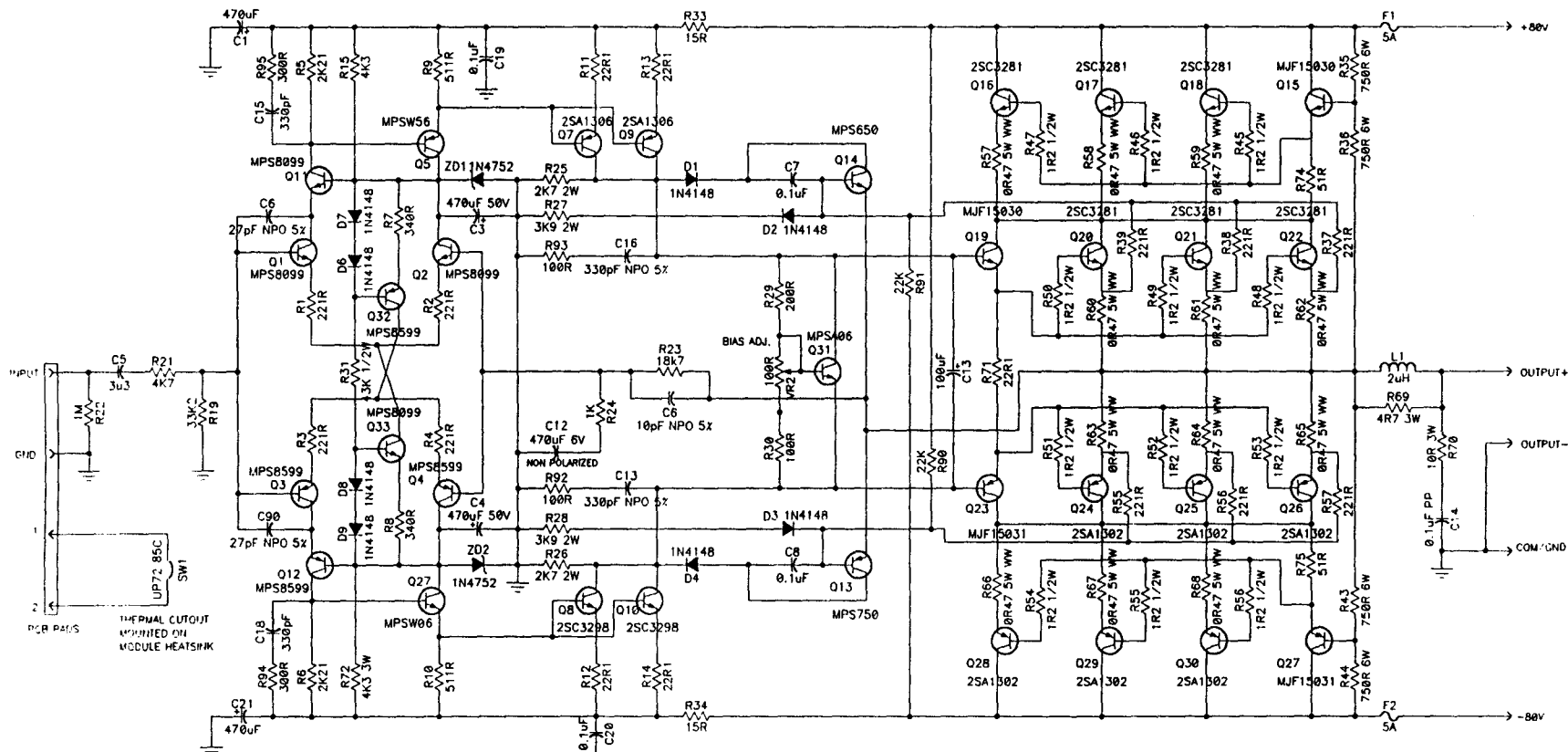


REVISION HISTORY		
REV	DATE	DETAILS
0	06/11/98	RFQ Issued
1	10/02/98	Changed voltages on sec 1 through 4 from 50V to 61V
2	10/23/98	Changed voltages on sec 1 through 4 from 61V to 53.6V Changed rating of sec 5 from 10V to 16V
3	12/03/98	SPECIFIED LEAD OUT COLOURS ADDED PART NUMBER FOR MOLEX PINS

NOTE:

- 1) ALL VOLTAGES SPECIFIED AT RATED CURRENT
- 2) VOLTAGE REGULATION OF WINDINGS 1 THRU 4
58.1V at 0.312A
55.5V at 3.98A
53.65V at 6.61A
- 3) ALL WIRES TERMINATED WITH MOLEX 02-08-1002 PINS SONIC SKU# 57616

SONIC FRONTIERS INTERNATIONAL			
Title ANTHEM AMP2 POWER TRANSFORMER			
Size A	Number SKU# 58612	Rev 3	
Date Fri Jan 29 1999	Drawn by M. ALLEN		
Filename AMP2TR1.S01	Sheet 1 of 1		

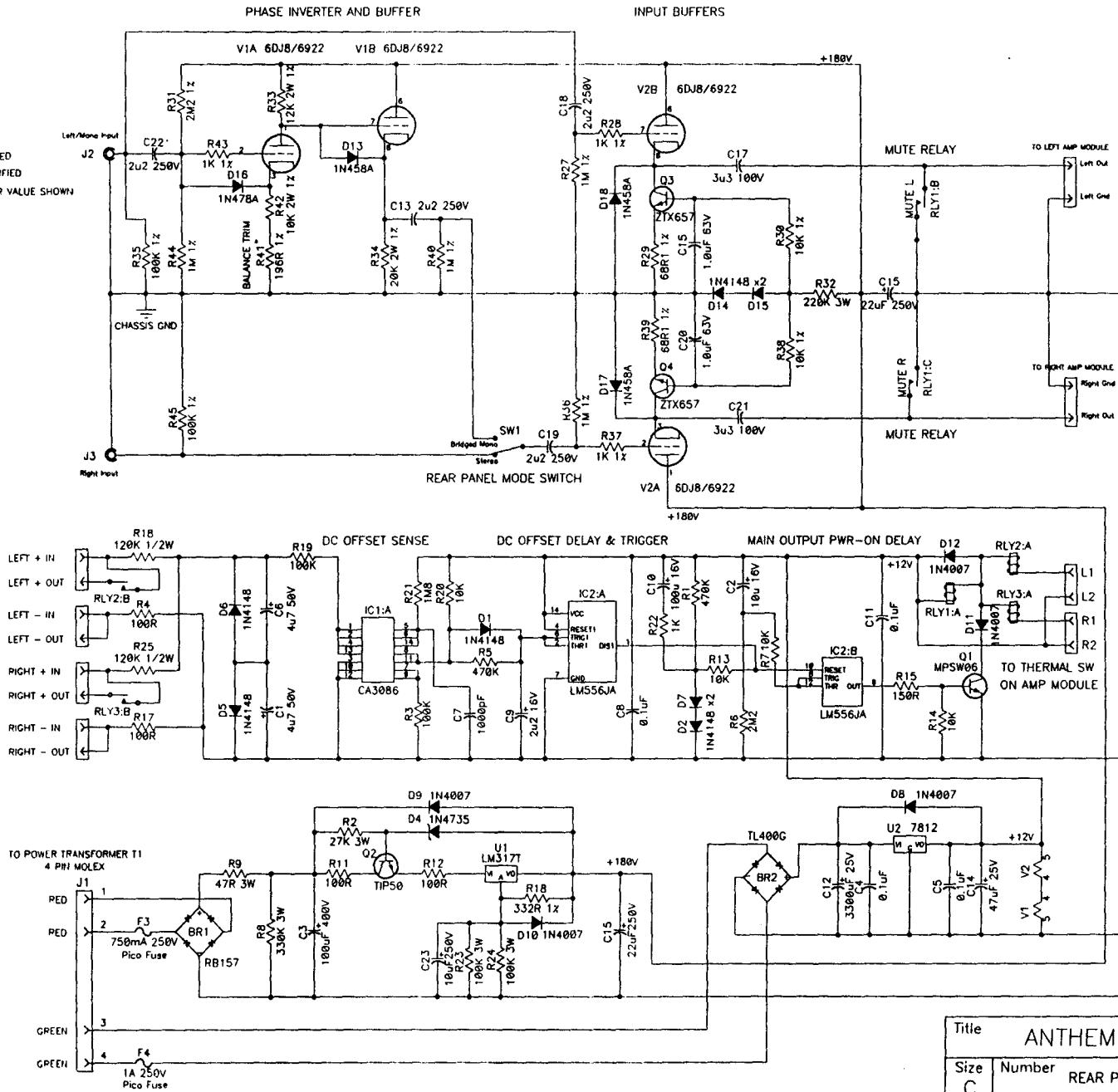


SCHEMATIC NOTES
 THIS SCHEMATIC IS TYPICAL OF THE AMP2
 LEFT OR RIGHT CHANNEL POWER AMP MODULE
 BOTH CHANNELS ARE IDENTICAL
 ALL RESISTORS 1/4 WATT UNLESS SPECIFIED
 RESISTORS SPECIFIED AS 1% ARE 1%TOL METAL FILM
 R35, 36, 43 AND 44 ARE NON INDUCTIVE WIREWOUND
 ALL CAPS RATED AT 100V 10% UNLESS SPECIFIED

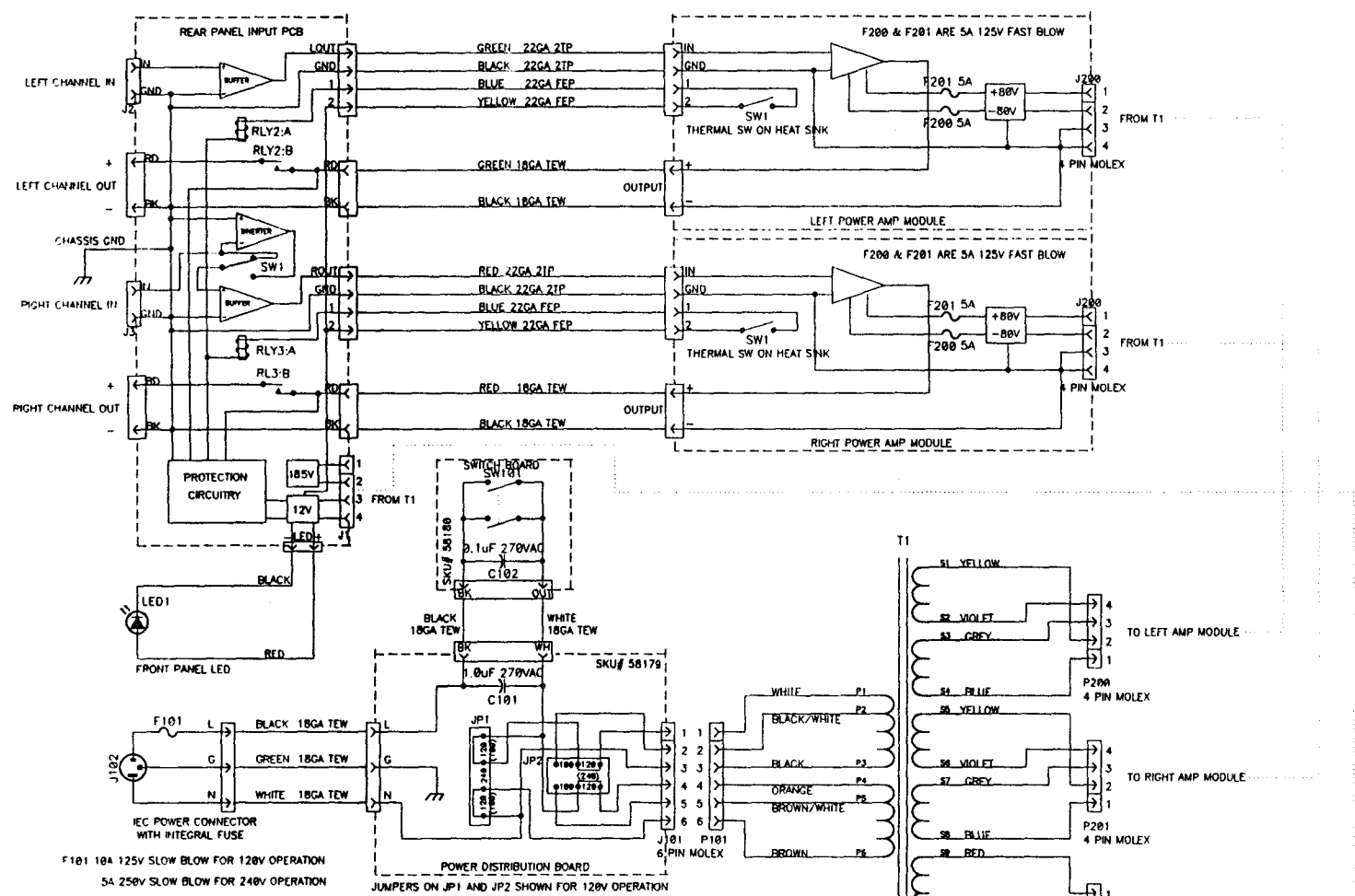
Title			ANHEM AMP 2
Size	Number	POWER AMP MODULE	
C			
Date	Tue Feb 02 1999	Drawn by MBA	
Filename	AMP2180.S01	Sheet 1 of 3	

SCHEMATIC NOTES

- ALL RESISTORS 1/4W 5% UNLESS SPECIFIED
- ALL CAPACITORS 100V 10% UNLESS SPECIFIED
- * PART MAY BE SELECTED, DESIGN CENTER VALUE SHOWN



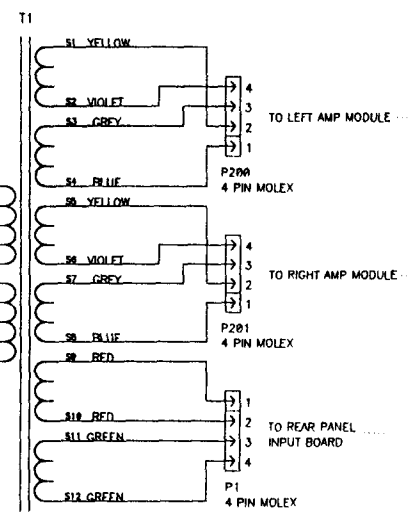
Title			
ANHEM AMP 2			
Size	Number	REAR PANEL INPUT PCB	Rev
C			
Date Tue Feb 02 1999		Drawn by MBA	
Filename REARPAN0.S01		Sheet 2 of 3	



F101 10A 125V SLOW BLOW FOR 120V OPERATION
 5A 250V SLOW BLOW FOR 240V OPERATION

LINE VOLTAGE JUMPER SETTINGS
 100V CONNECT JP1 ACROSS 120(100) 2 PLACES
 CONNECT JP2 ACROSS 100 2 PLACES
 120V CONNECT JP1 ACROSS 120(100) 2 PLACES
 CONNECT JP2 ACROSS 120 2 PLACES
 240V CONNECT JP1 ACROSS 240 1 PLACE
 CONNECT JP2 ACROSS 120(240) 2 PLACES

JUMPERS ON JP1 AND JP2 SHOWN FOR 120V OPERATION



Title			ANTHEM AMP 2		
Size	Number	Rev		ø	
C	CHASSIS WIRING SCHEMATIC				
Date	Thu Feb 04 1999	Drawn by		MBA	
Filename	POWERS1.S01	Sheet		3 of 3	