

R0500R03.SCH

NETLIST

R0500R02.SCH

INPUT STAGE

R0500R03.SCH

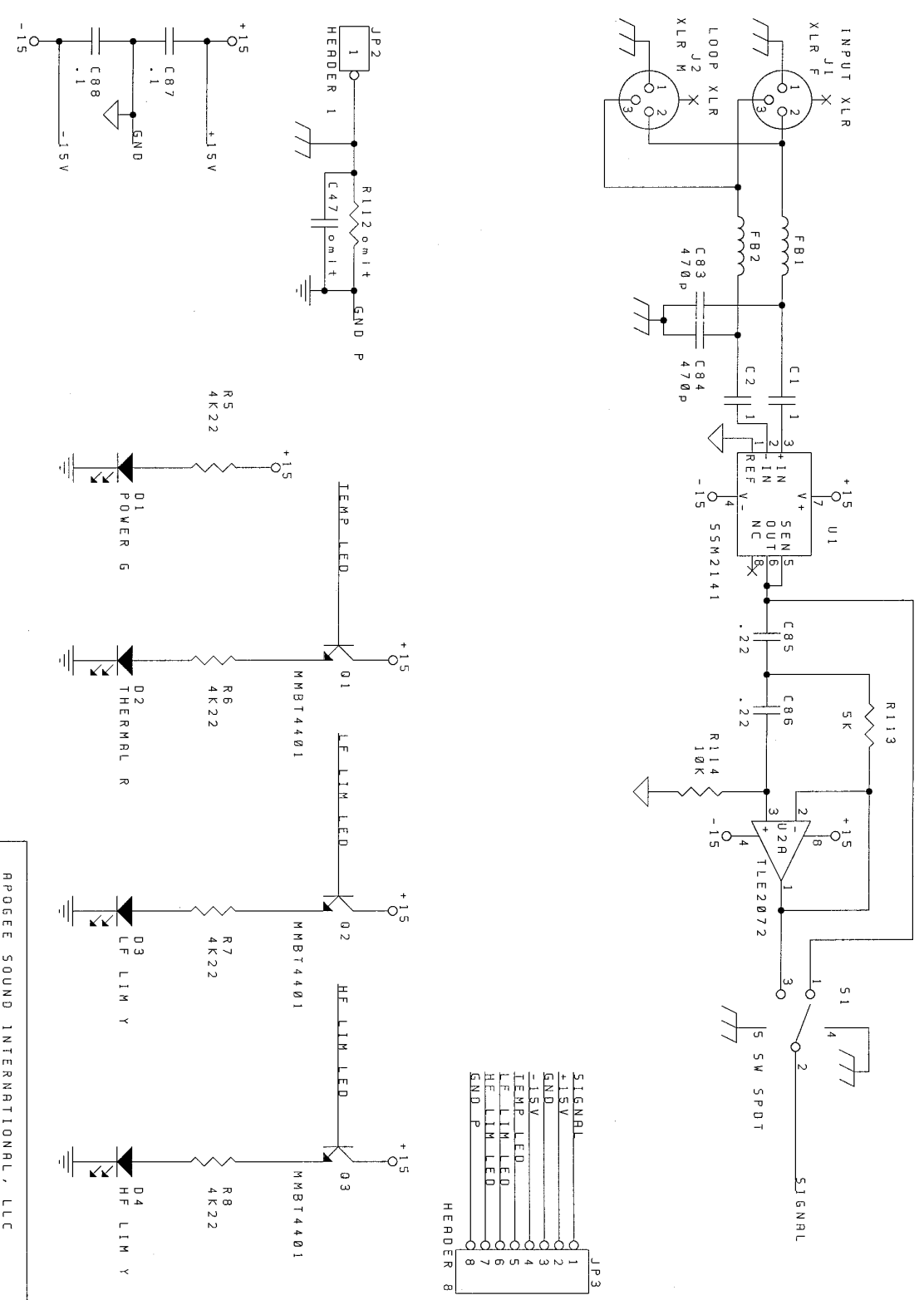
APL-5

R0500 SHEET INDEX

- R0500_01 - ROOT SHEET
- R0500_02 - APL-500 INPUT STAGE
- R0500_03 - APL-500 ROOT SHEET
- R0500_04 - APL-500 INPUT NOTCH
- R0500_05 - APL-500 LIMITERS
- R0500_06 - APL-500 CROSSOVER
- R0500_07 - APL-500 NOTCHES
- R0500_08 - APL-500 LIMITER BUFFER
- R0500_09 - APL-500 OUTPUT BUFFER
- R0500_10 - APL-500 CROSSOVER 2

APOGEE SOUND INTERNATIONAL, LLC
 2180 S. McDowell Blvd
 Petroluma, CA 94954
 TEL: (707) 778-8887 FAX: (707) 778-6923

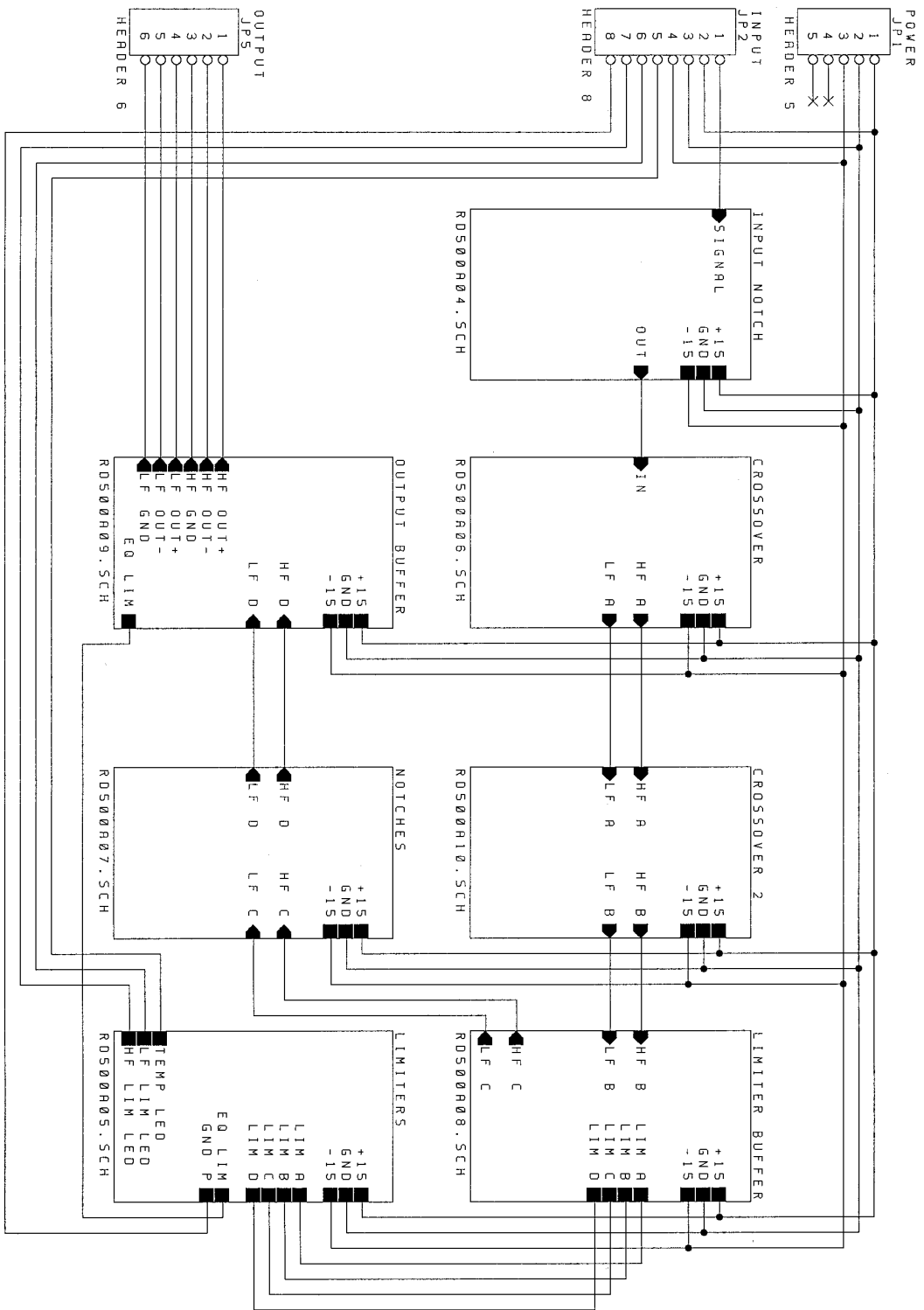
Title		APL-500 PROCESSOR ROOT SHEET	
Size	Document Number	REV	
A	R0500R01	A	
Date:	July 6, 2001	Sheet	1 of 10



APROGEE SOUND INTERNATIONAL, LLC
 2180 S. McDowell Blvd
 Petaluma, CA 94954
 TEL: (707) 778-8887 FAX: (707) 778-6923

APL-500 INPUT STAGE
 Title
 Size Document Number R0500002
 Date: July 6, 2001 Sheet 2 of 10

REV
 A

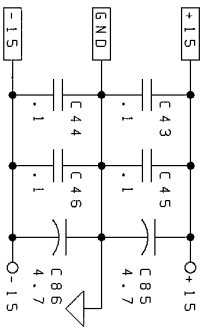
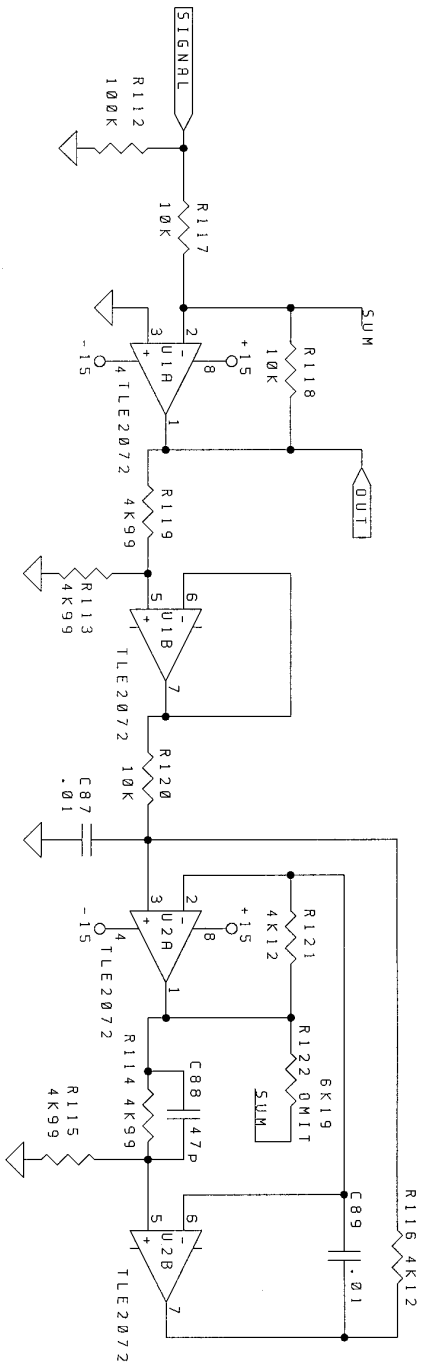


APOGEE SOUND INTERNATIONAL, LLC
 2180 S. McDowell Blvd
 Petaluma, CA 94954
 TEL: (707) 778-8887 FAX: (707) 778-6923

Title APL-500 PROCESSOR

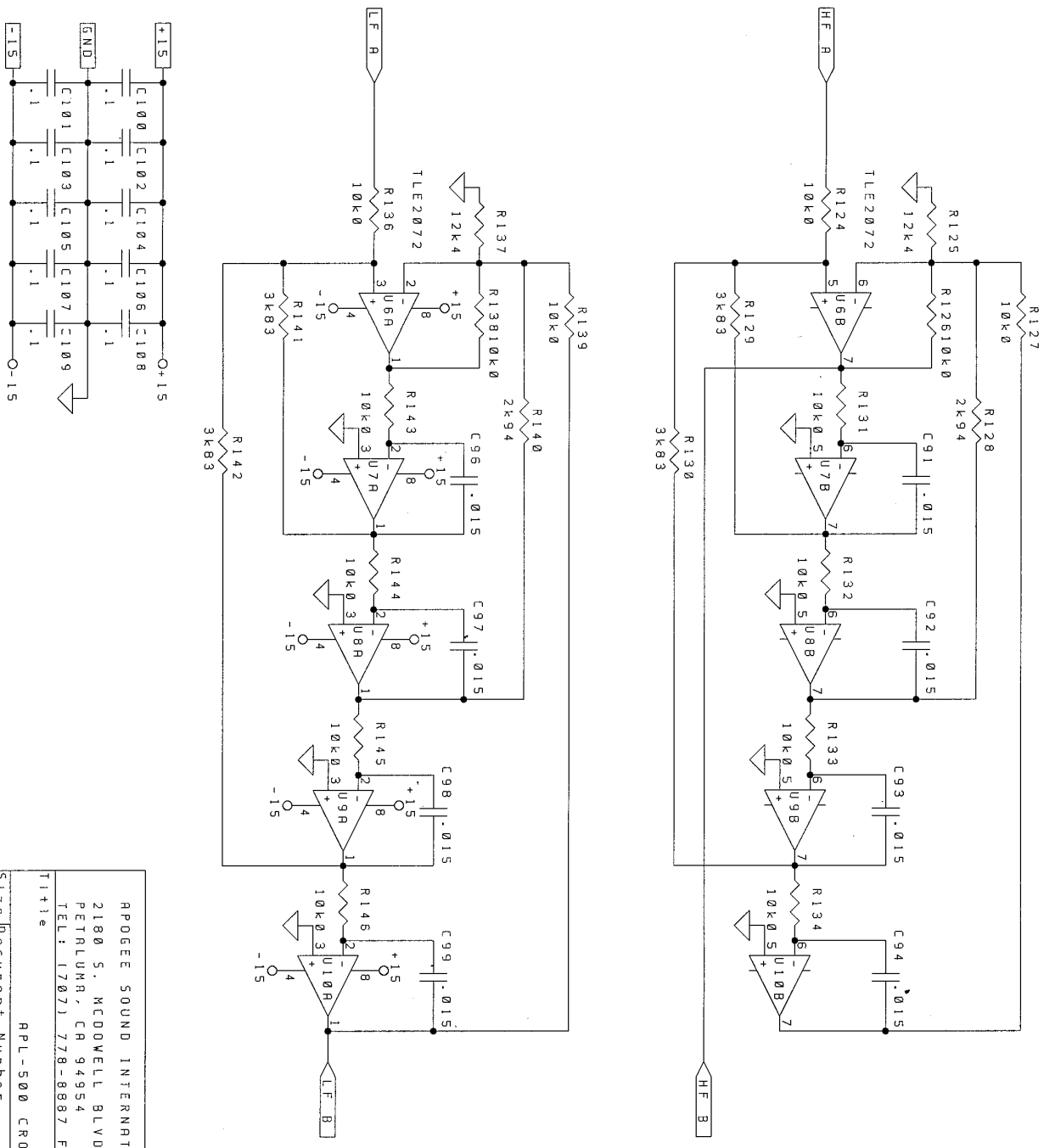
Size	Document Number	REV
A	R0500R03	A

Date: August 27, 2001 Sheet 3 of 10



APOGEE SOUND INTERNATIONAL, LLC
 2180 S. McDowell Blvd
 Petaluma, CA 94954
 TEL: (707) 778-8887 FAX: (707) 778-6923

Title		RPL-500 PROCESSOR INPUT NOTCH	
Size	Document Number	REV	
A	RD500A04	A	
Date:	August 27, 2001	Sheet	4 of 10

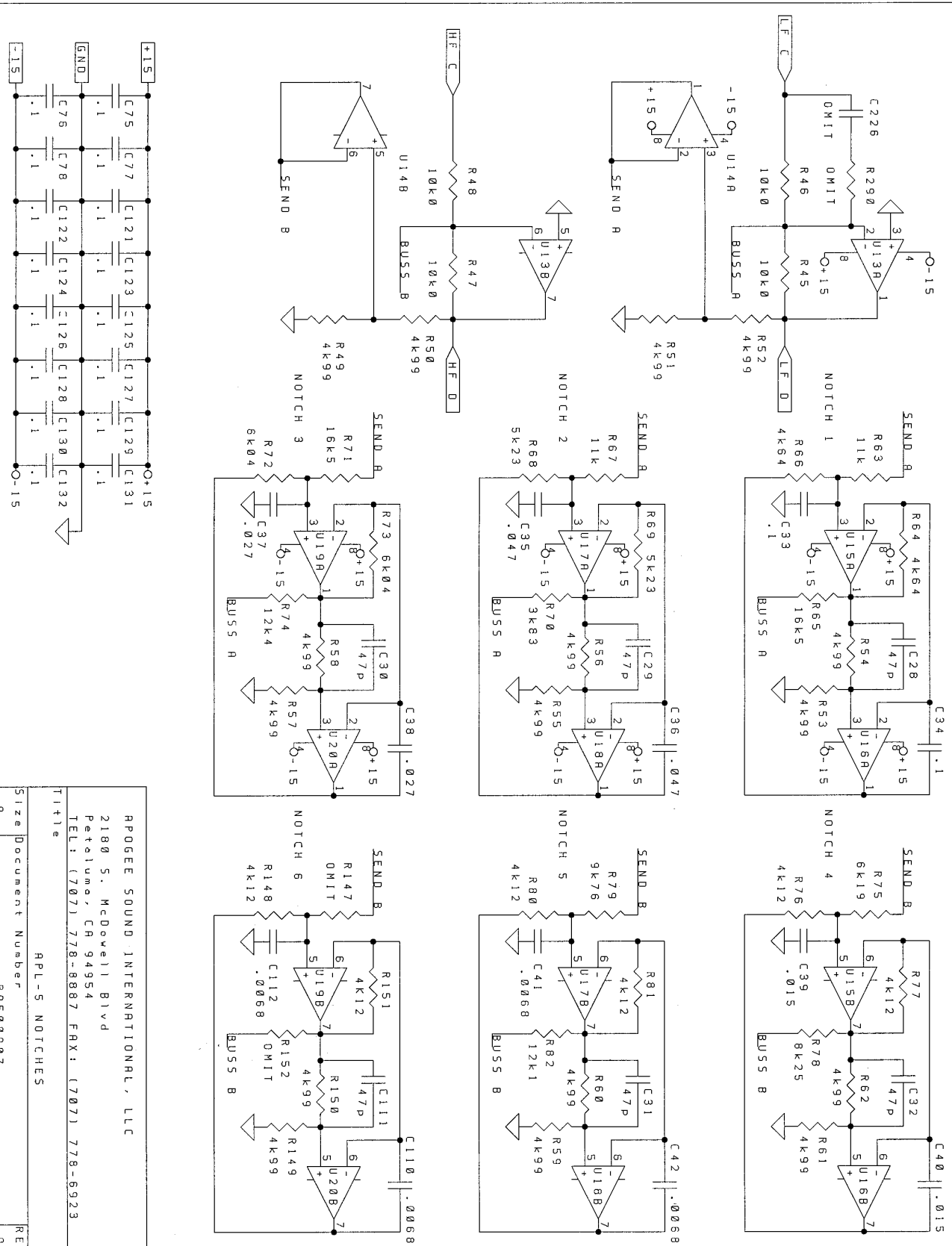


APOGEE SOUND INTERNATIONAL, LLC
 2180 S. MCDOWELL BLVD
 PETRALUMR, CA 94954
 TEL: (707) 778-8887 FAX: (707) 778-6923

Title: APL-500 CROSSOVER 2

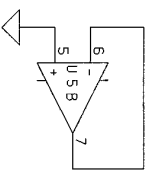
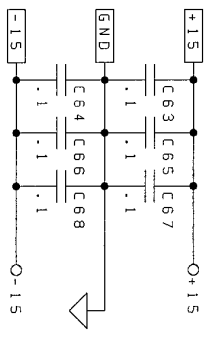
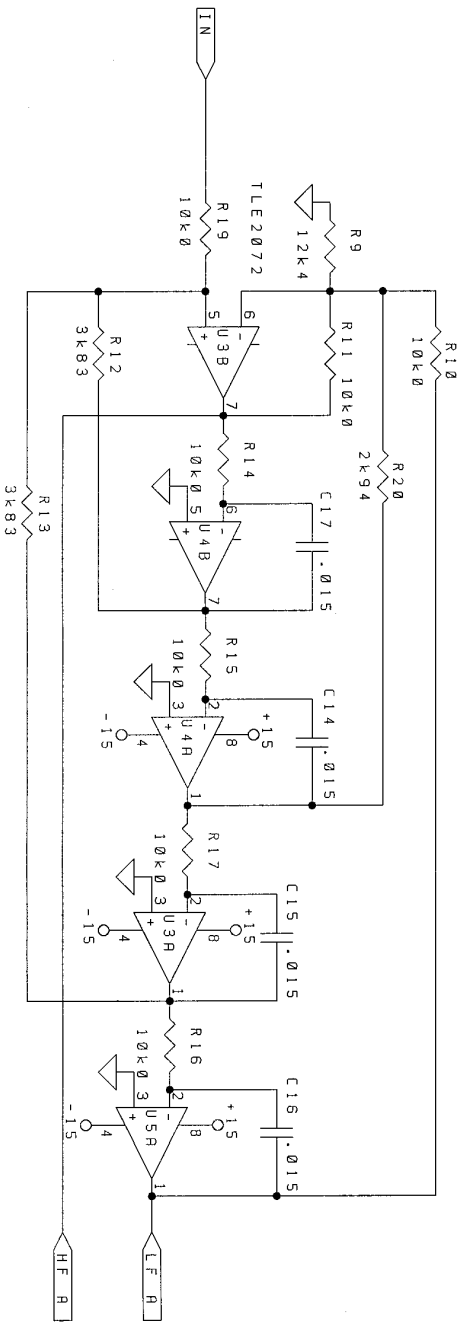
Size	Document Number	REV
A	R0500R10	A

Date: September 28, 2001 Sheet 10 of 10

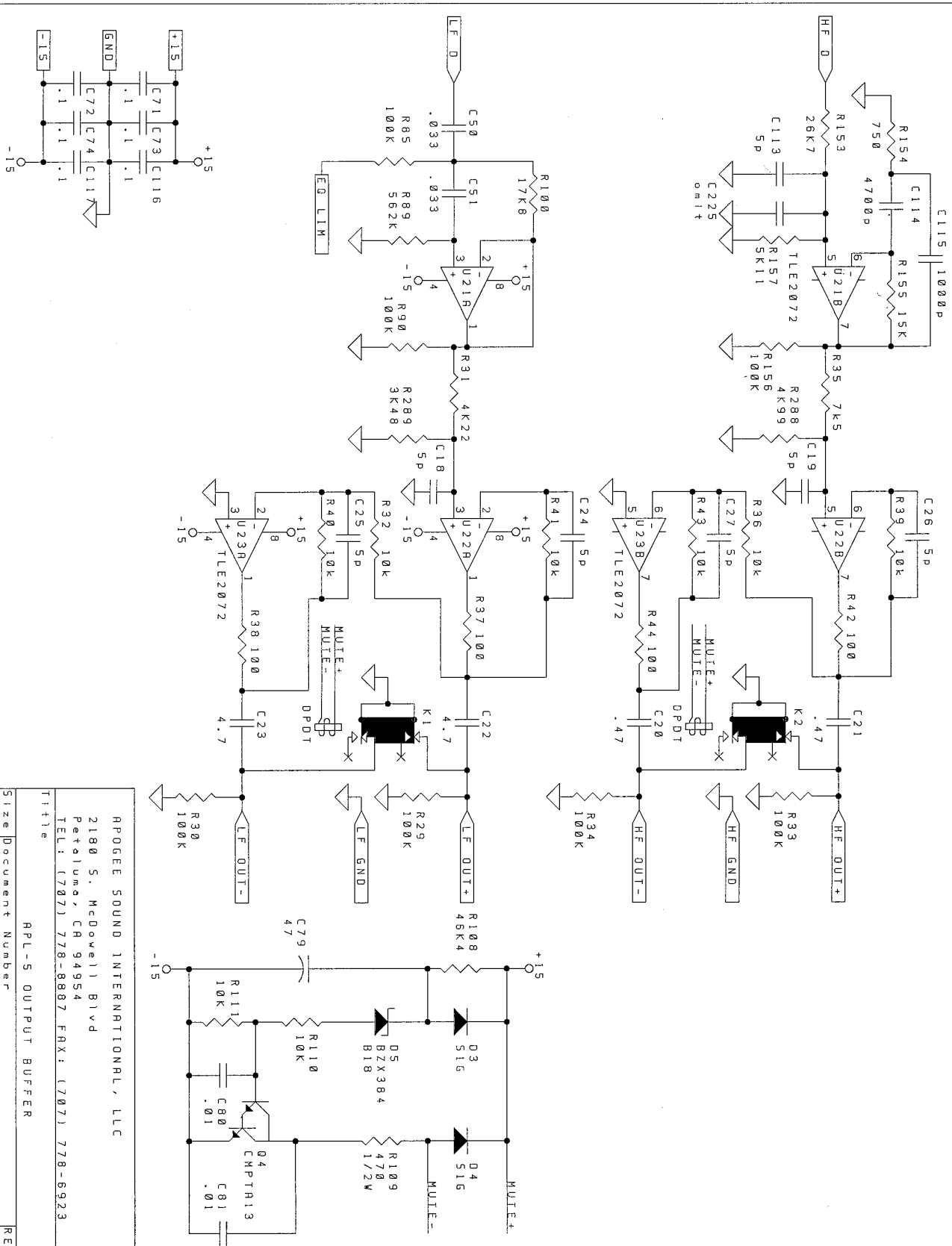


RPOGEE SOUND INTERNATIONAL, LLC
 2180 S. McDowell Blvd
 Petaluma, CA 94954
 TEL: (707) 778-8887 FAX: (707) 778-6923

Title: RPL-5 NOTCHES
 Size: Document Number R0500R07
 Date: August 27, 2001 Sheet 7 of 10



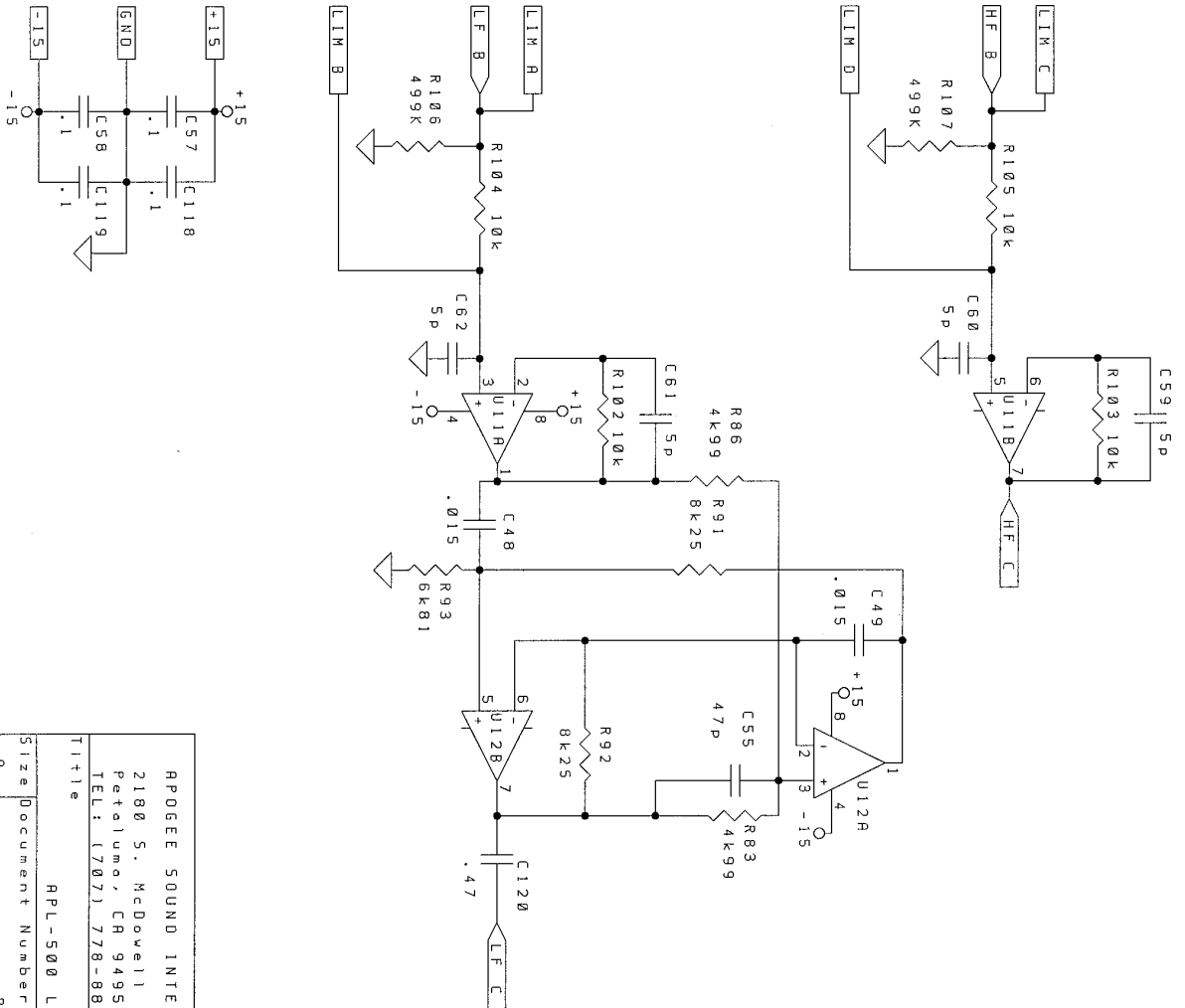
APOGEE SOUND INTERNATIONAL, LLC 2180 S. McDowell Blvd Petaluma, CA 94954 TEL: (707) 778-8887 FAX: (707) 778-6923	
Title	APL-500 CROSSOVER
Size	Document Number
R	RD500R06
Date: September 28, 2001	Sheet 6 of 10
REV	R



APOGEE SOUND INTERNATIONAL, LLC
 2180 S. McDowell Blvd
 Petaluma, CA 94954
 TEL: (707) 778-8887 FAX: (707) 778-6923

APL-5 OUTPUT BUFFER

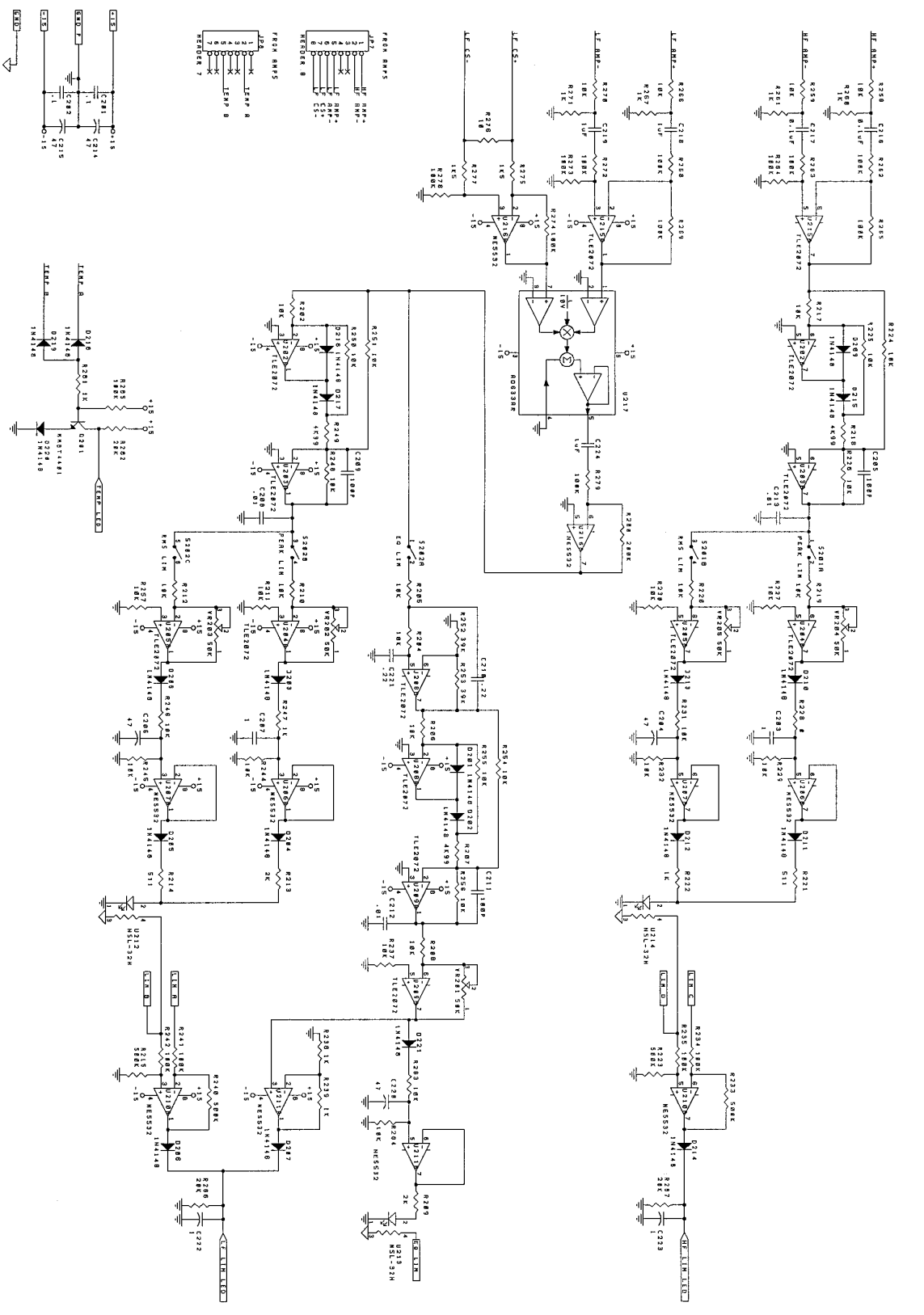
Title	APL-5 OUTPUT BUFFER	REV
Size	Document Number	R0500R09
Date:	August 27, 2001	Sheet 9 of 10



APOGEE SOUND INTERNATIONAL, LLC
 2180 S. McDowell Blvd
 Petaluma, CA 94954
 TEL: (707) 778-8887 Fax: (707) 778-6923

Title: APL-500 LIMITER BUFFERS
 Size: Document Number R0500008
 Date: September 28, 2001 Sheet 8 of 10

REV A



PROJECT SOUND INTER-CORPORATION, LLC
 2108 S. MCGRATH BLVD
 CHICAGO, IL 60619
 TEL: (773) 778-8887 FAX: (773) 778-2823
 WWW: WWW.PSC.COM
 811-508 LP 1711155
 DATE: 3/24/2004 21:28:14 5 47 18

REV
 R
 C