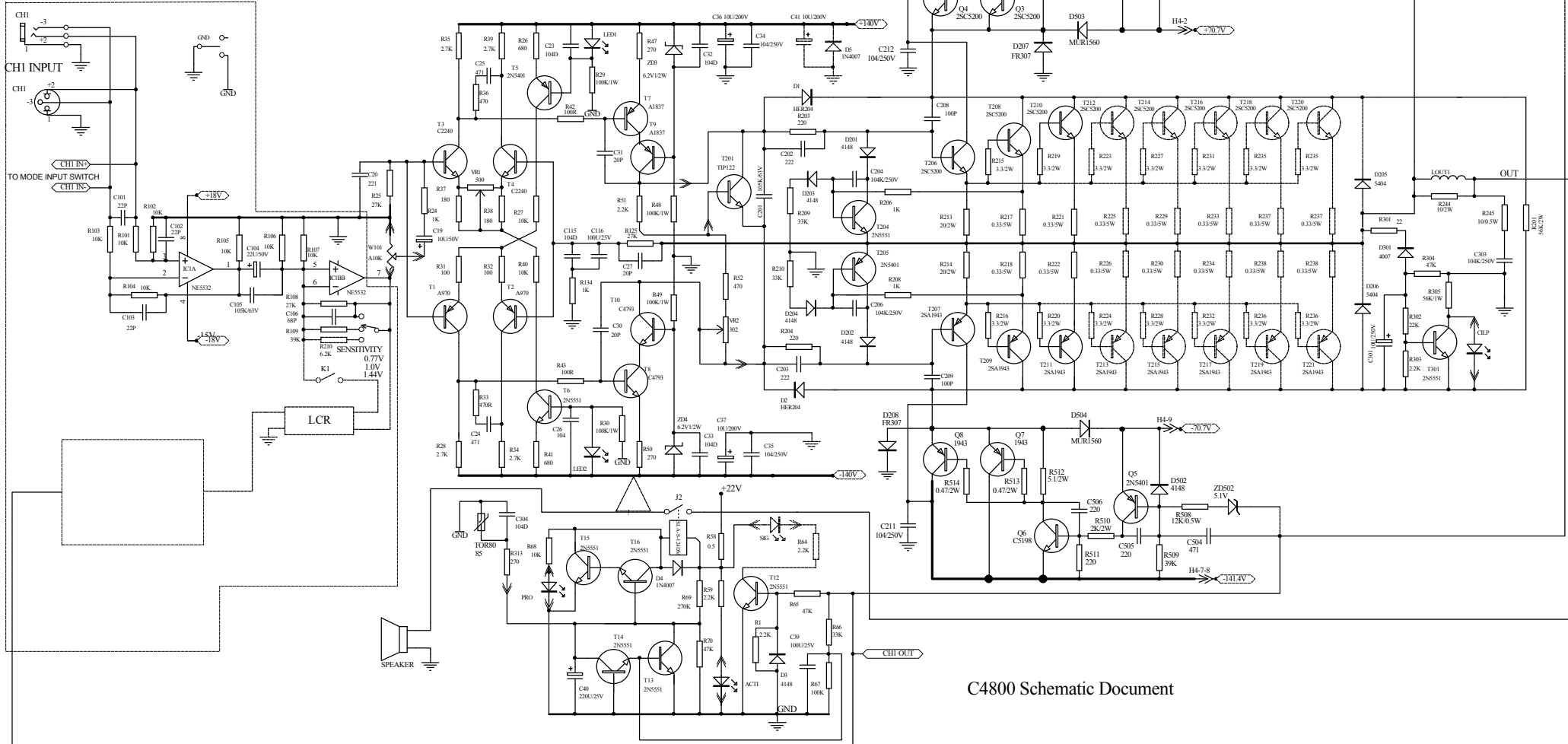
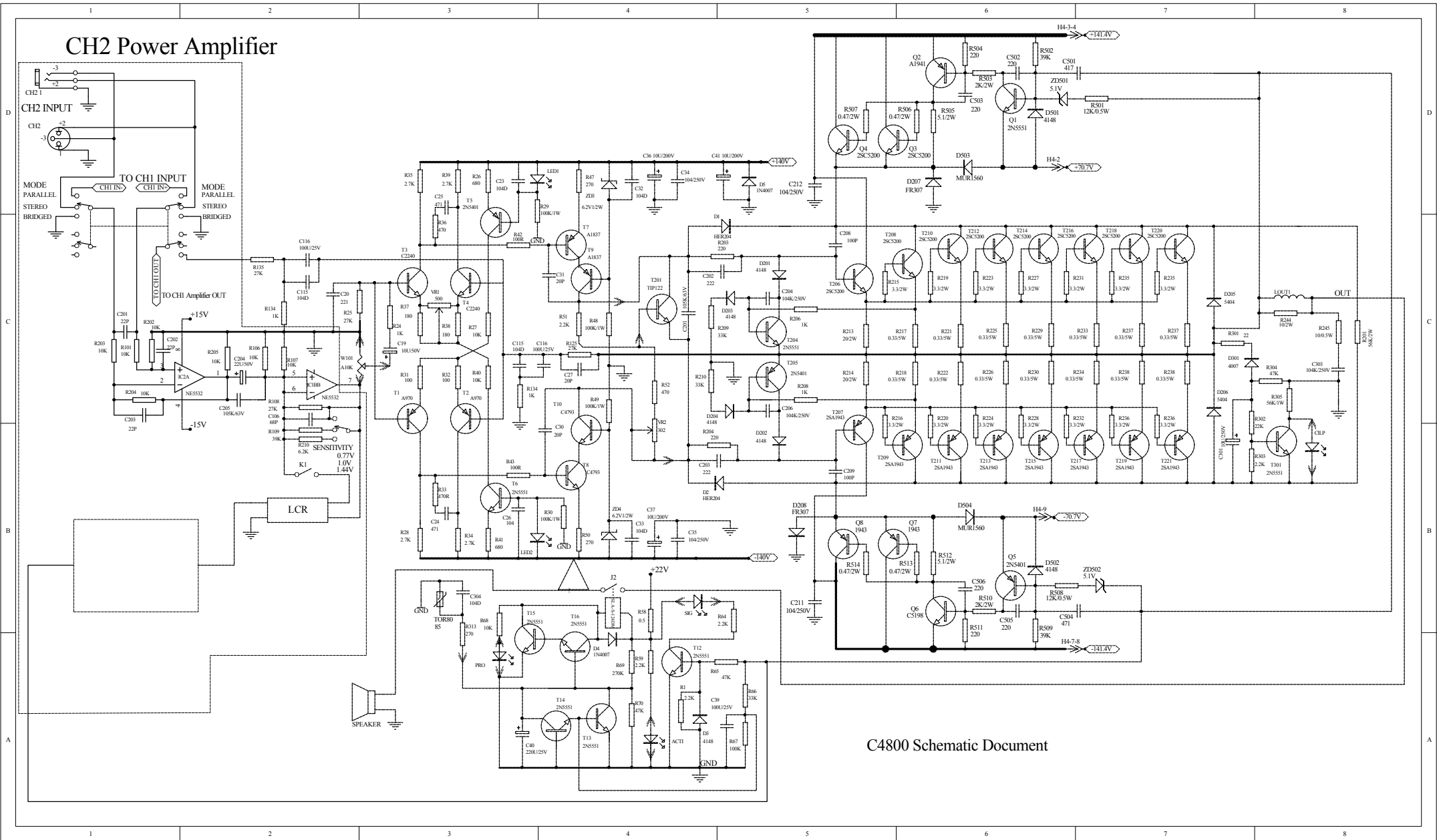
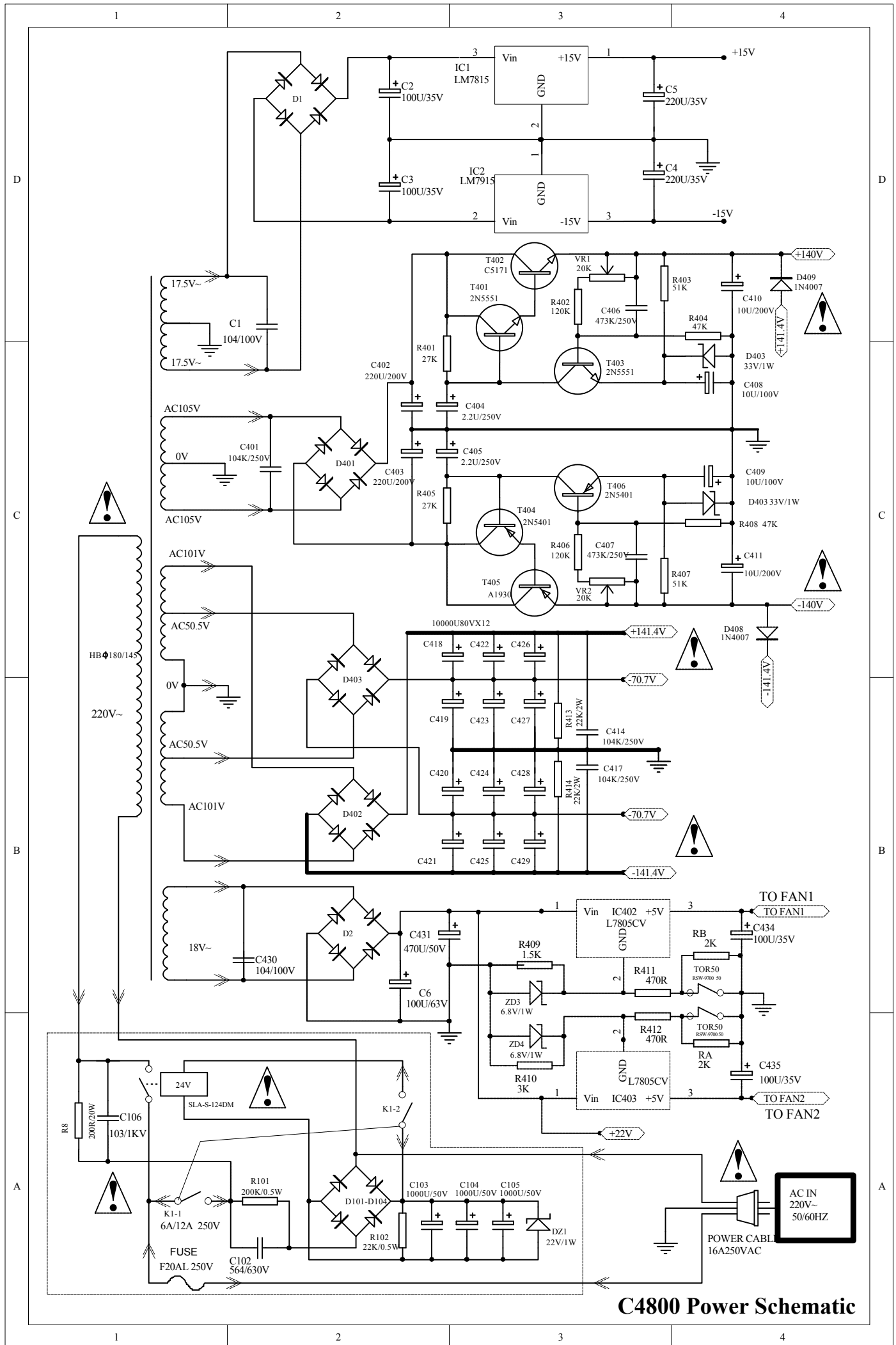


# CH1 Power Amplifier



# CH2 Power Amplifier





**C4800 Power Schematic**