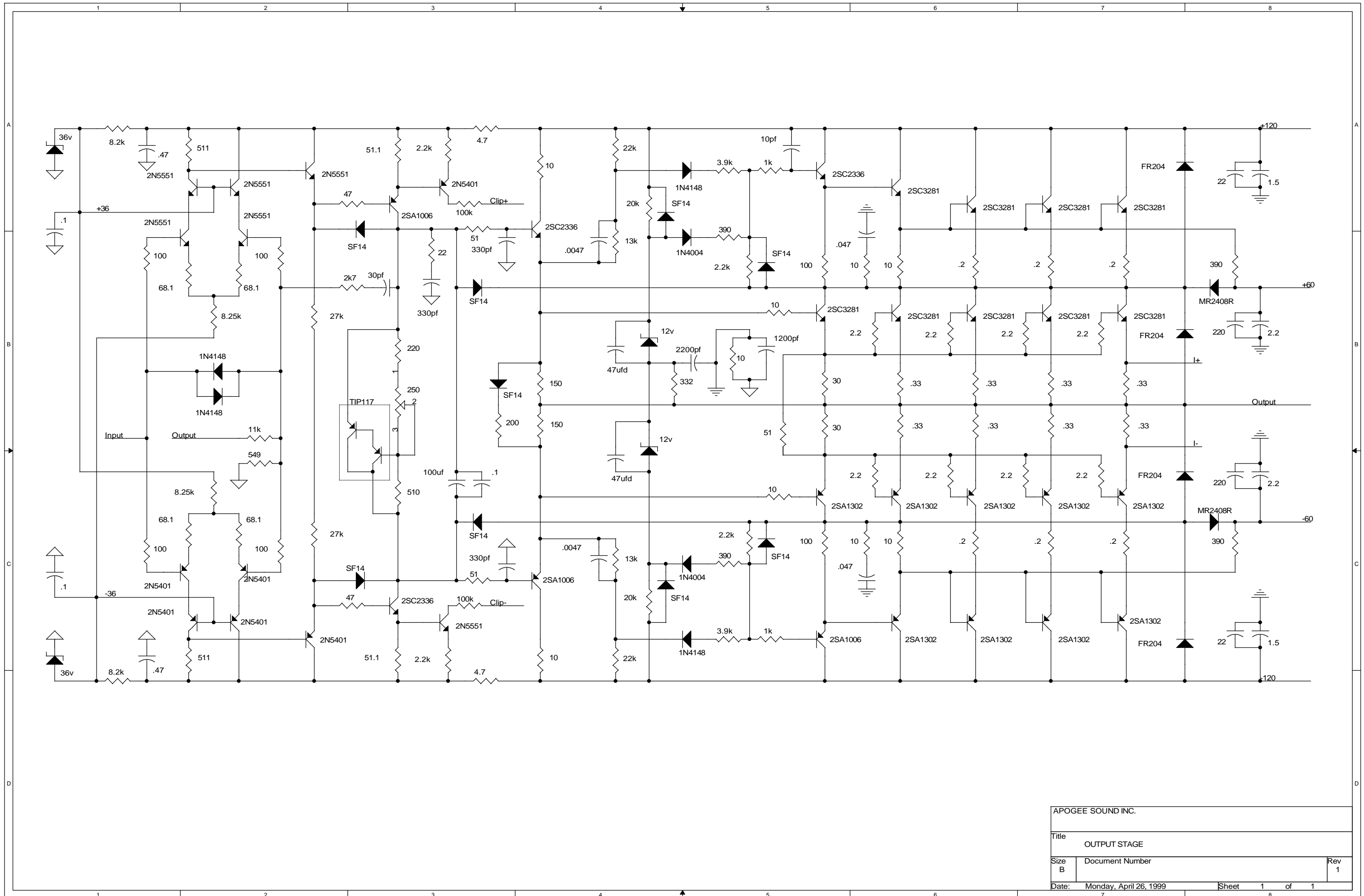
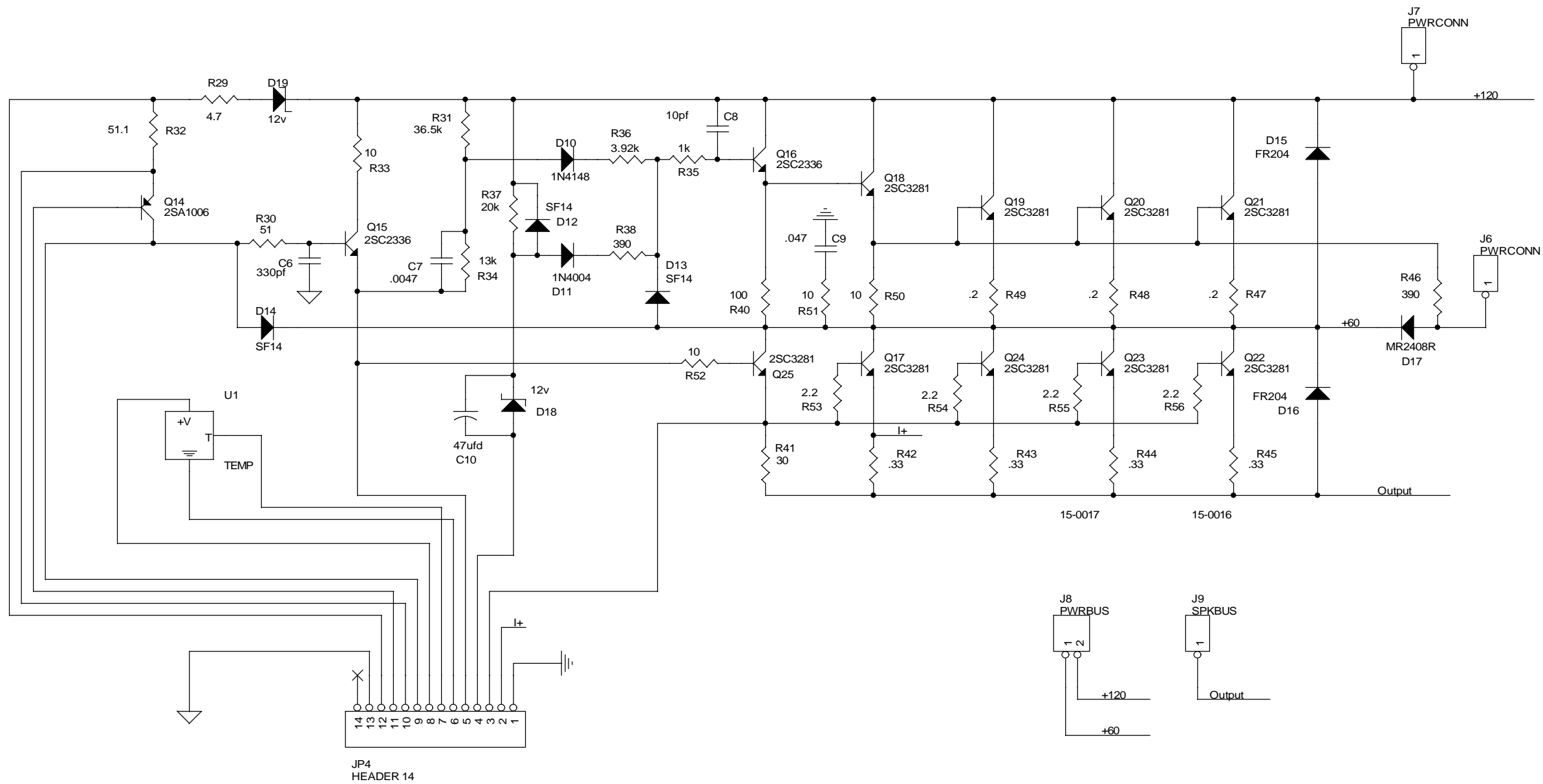


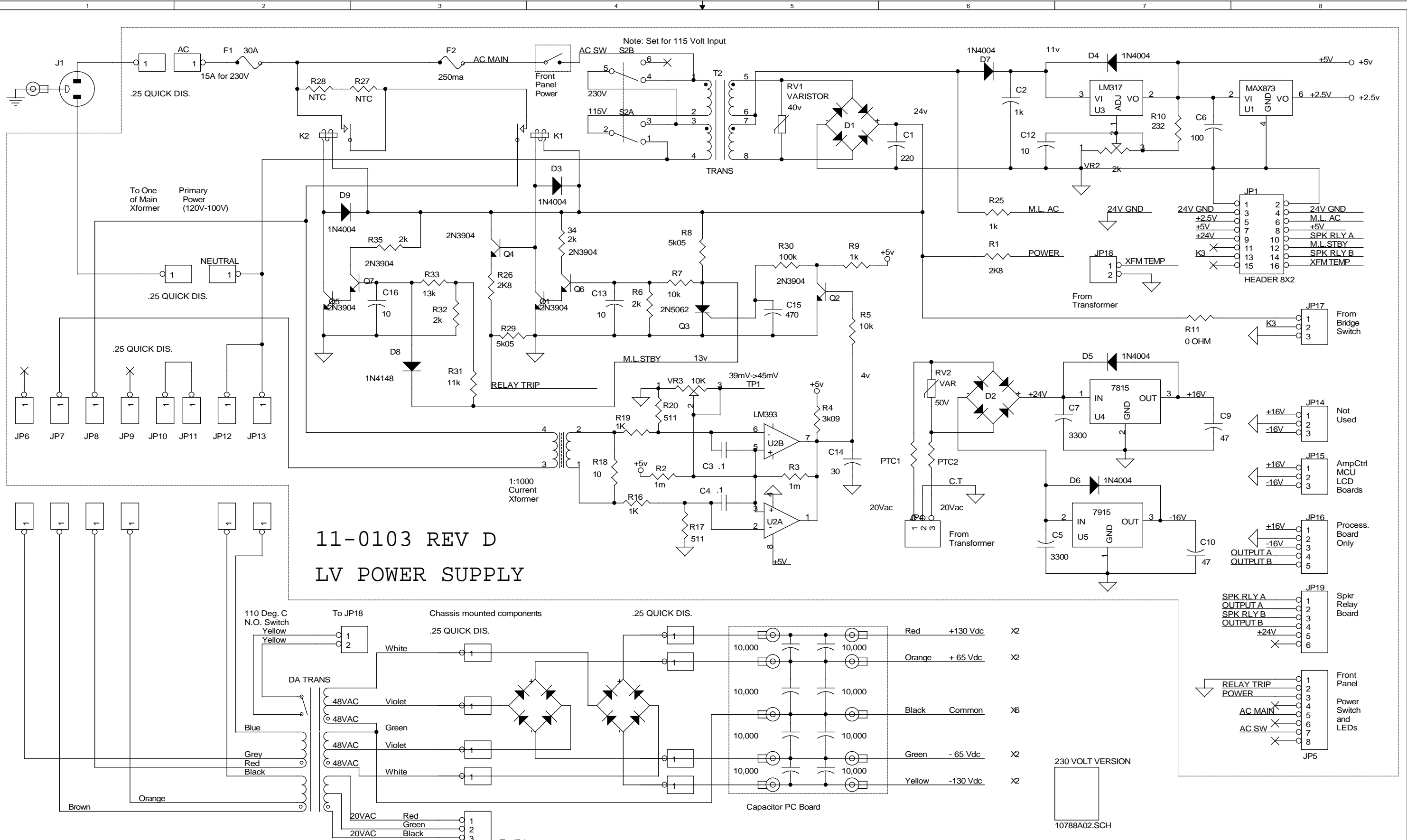
Apogee Sound Inc.		
Title DA-SERIES, POWER MODULE, NEG. RAIL CIRCUITRY		
Size B	Document Number 10008 (PN: 11-0102)	Rev A
Date: Monday, April 26, 1999	Sheet 1	of 1



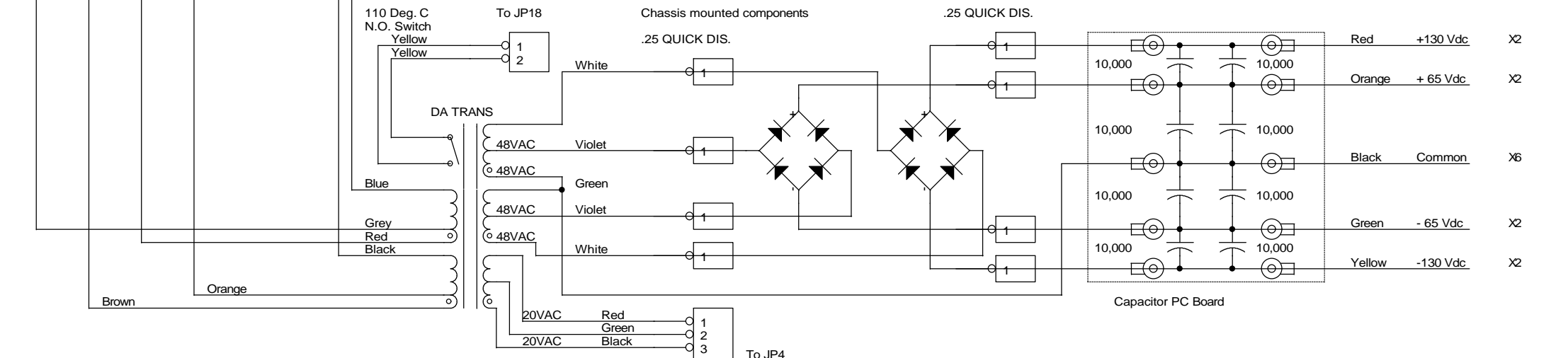
APOGEE SOUND INC.	
Title	OUTPUT STAGE
Size	Document Number
B	
Date:	Monday, April 26, 1999
Sheet	1 of 1
Rev	1



APOGEE SOUND INC.		
Title DA-SERIES, POWER MODULE, POS. RAIL CIRCUITRY		
Size B	Document Number 10007 (PN: 11-0101)	Rev A
Date: Monday, April 26, 1999	Sheet 1	of 1



11-0103 REV D
LV POWER SUPPLY

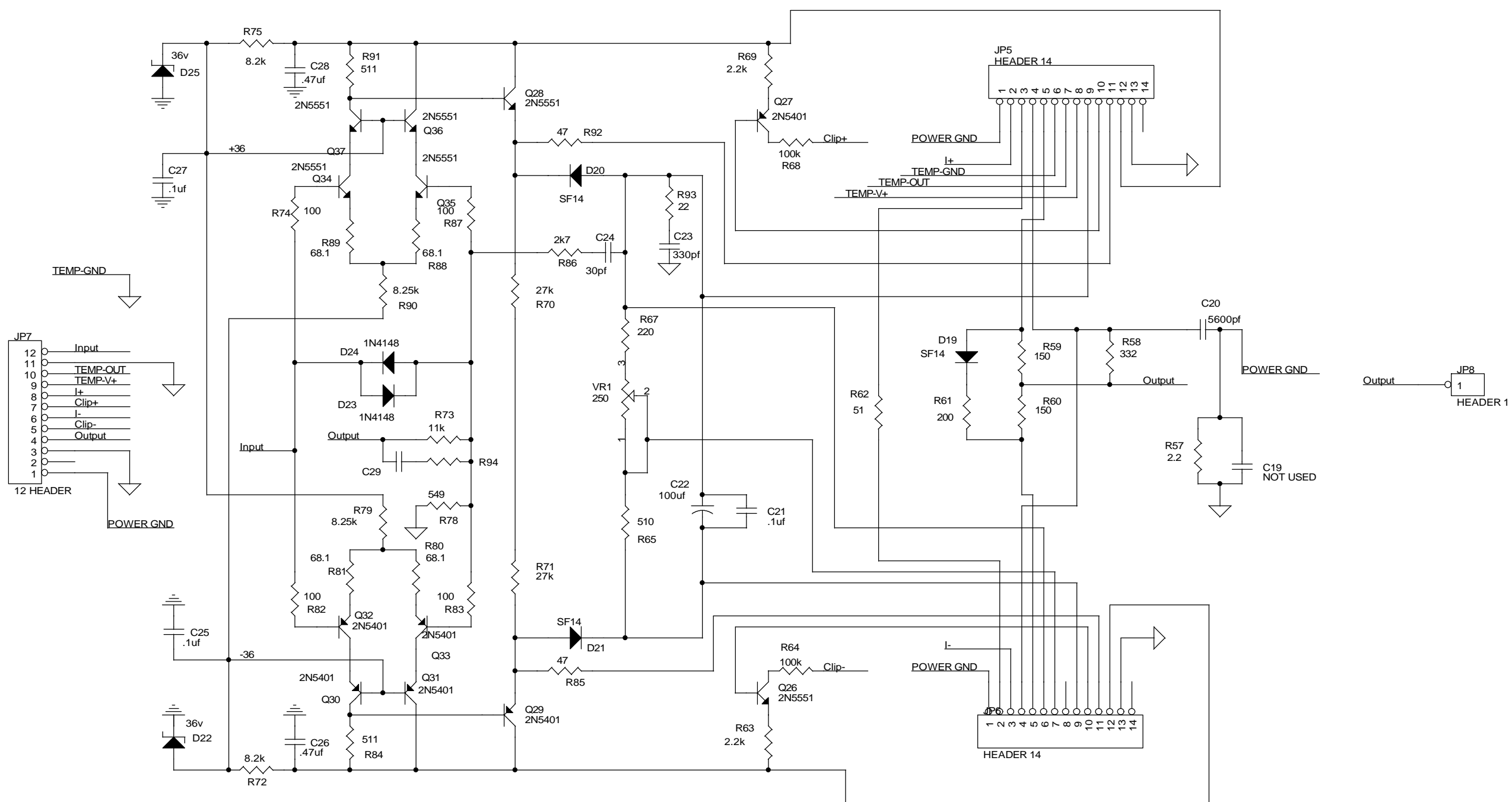


NEW TRANSFORMER
WIRE COLORS

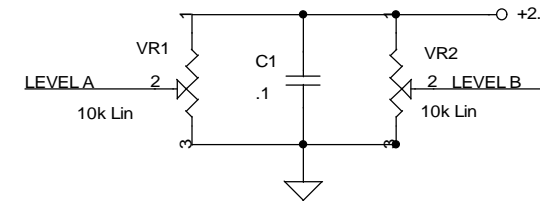
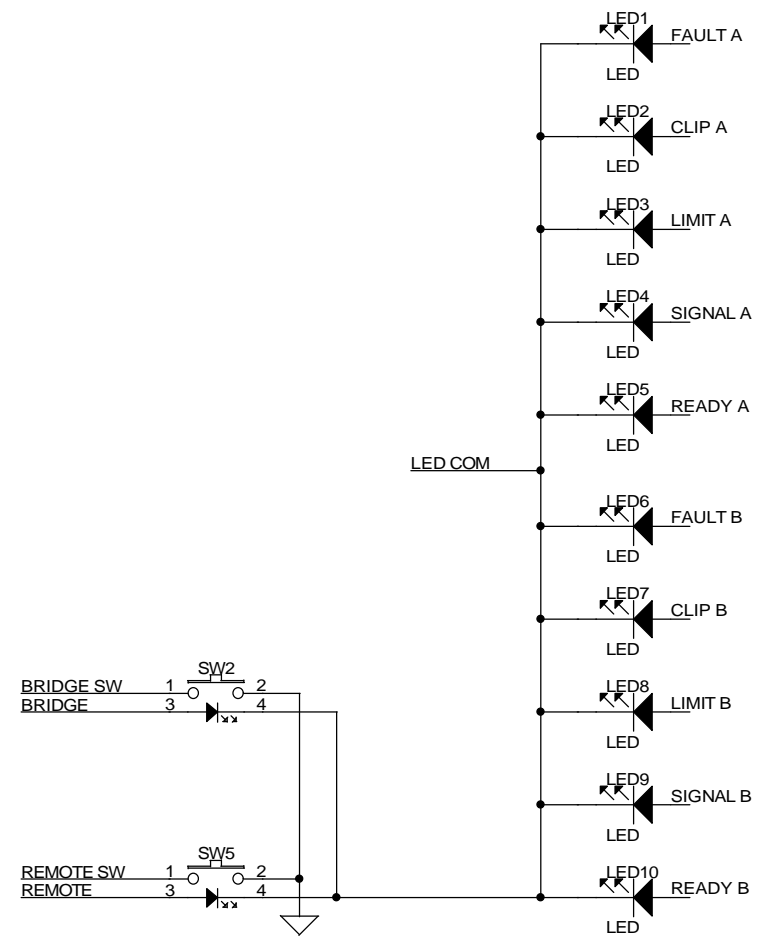
Note: Set for 115 Volt Input

230 VOLT VERSION
10788A02.SCH

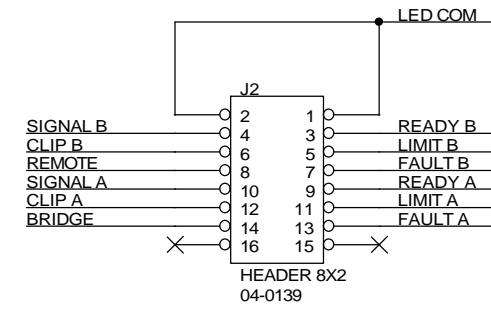
APOGEE SOUND INC.		
Title DA HIGH AND LOW VOLTAGE POWER		
Size B	Document Number 10788	Rev A
Date: Monday, April 26, 1999	Sheet 1	of 2



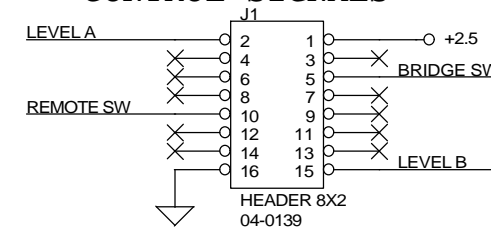
APOGEE SOUND INC.		
Petaluma, California		
Title DA-SERIES, POWER MODULE, COMMON CIRCUITRY		
Size B	Document Number 10006 (PN: 11-0100)	Rev A
Date: Monday, April 26, 1999	Sheet 1	of 1

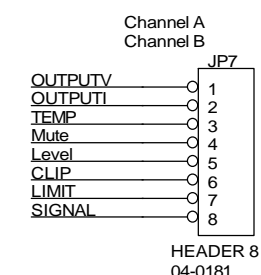
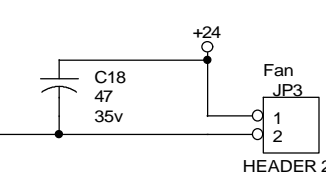
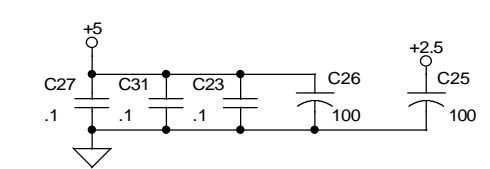
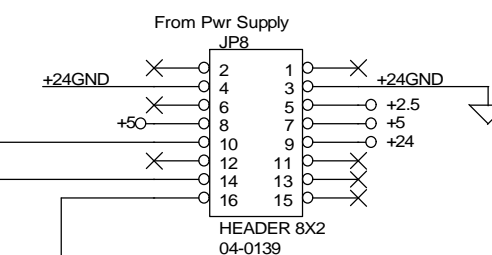
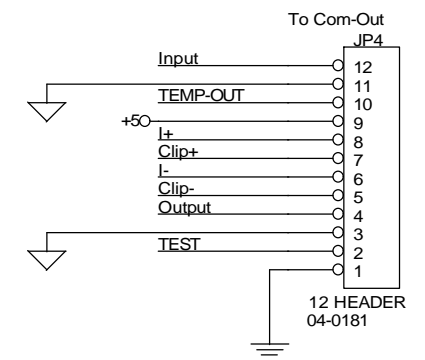
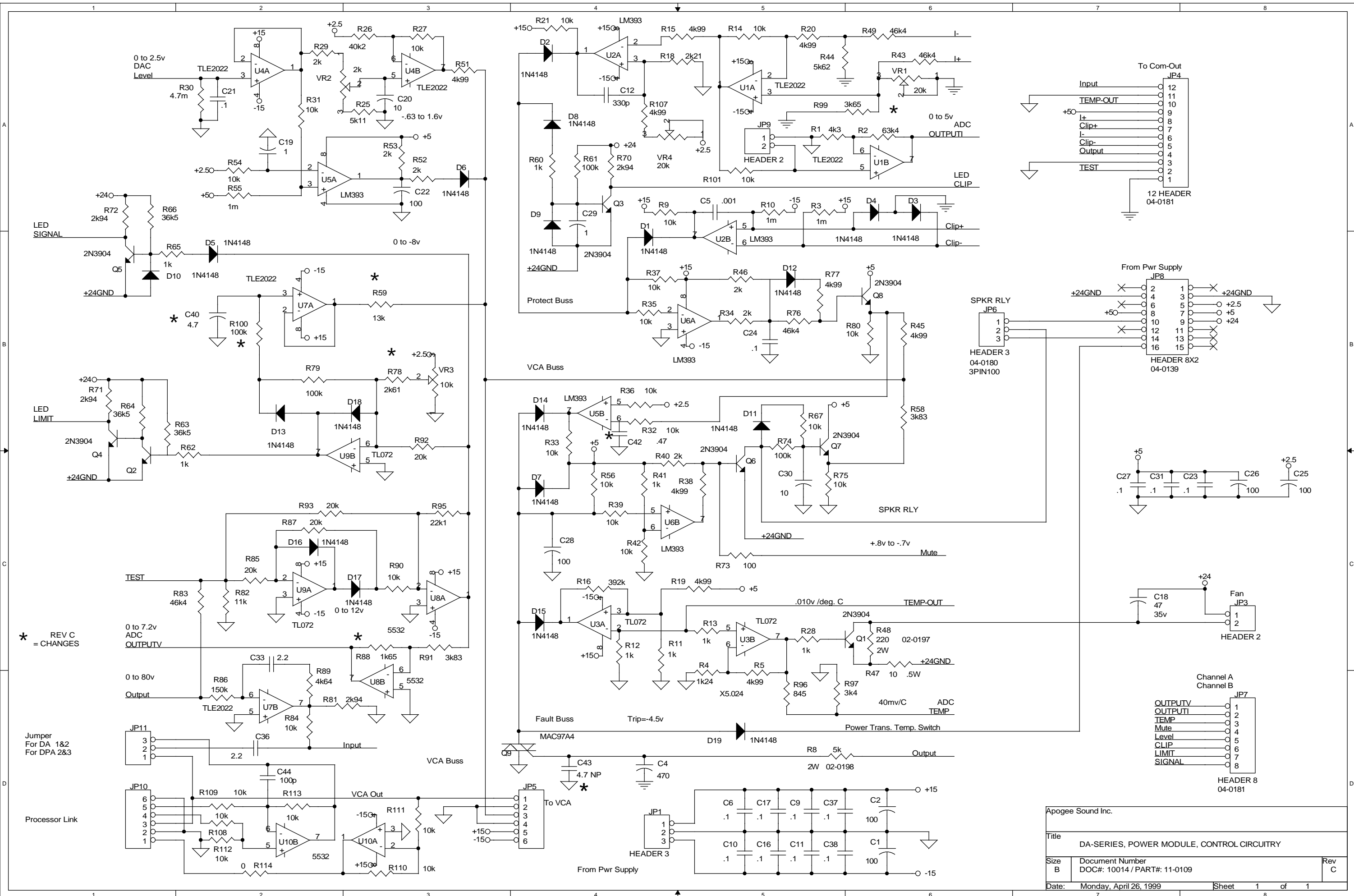


LED SIGNALS

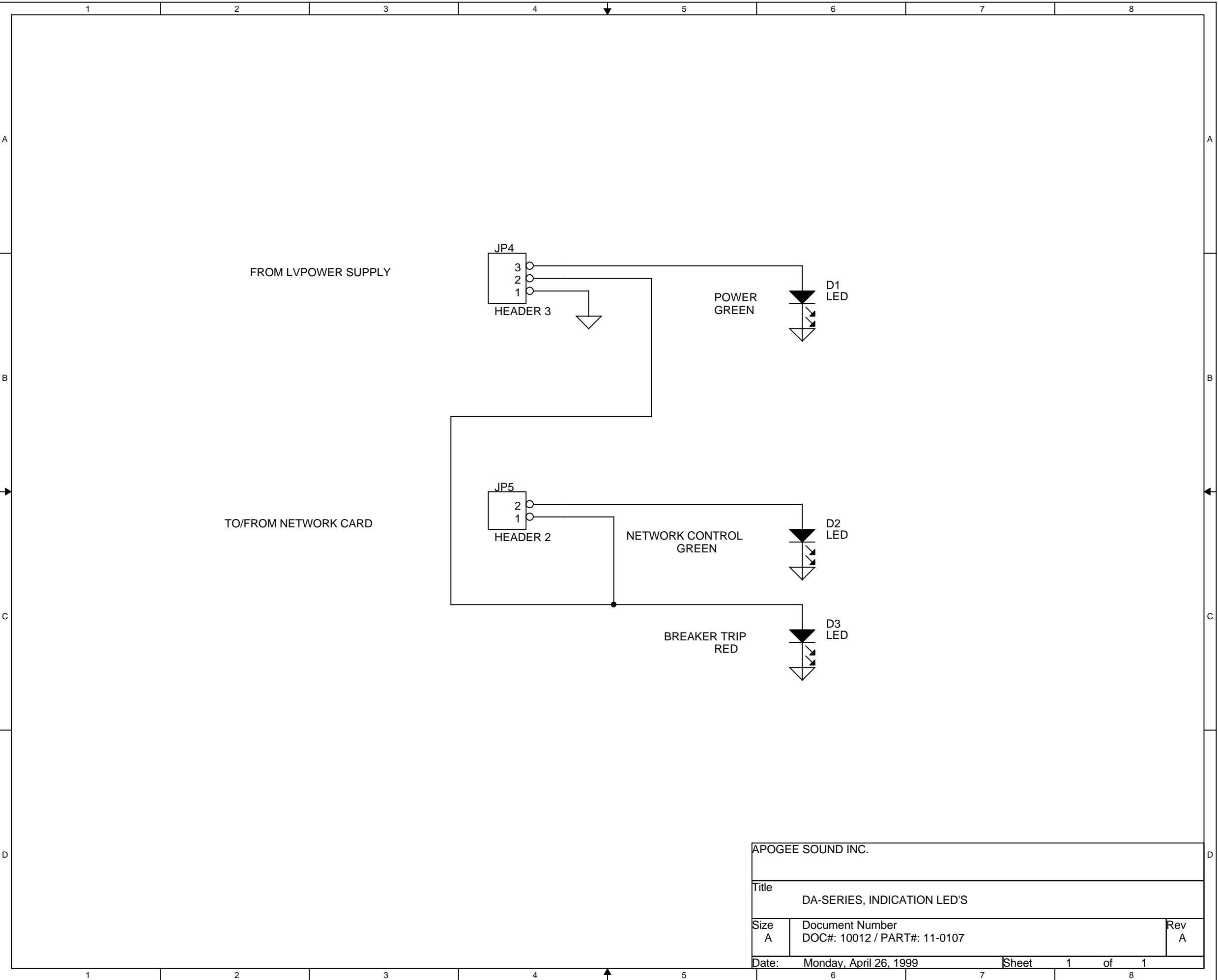


CONTROL SIGNALS





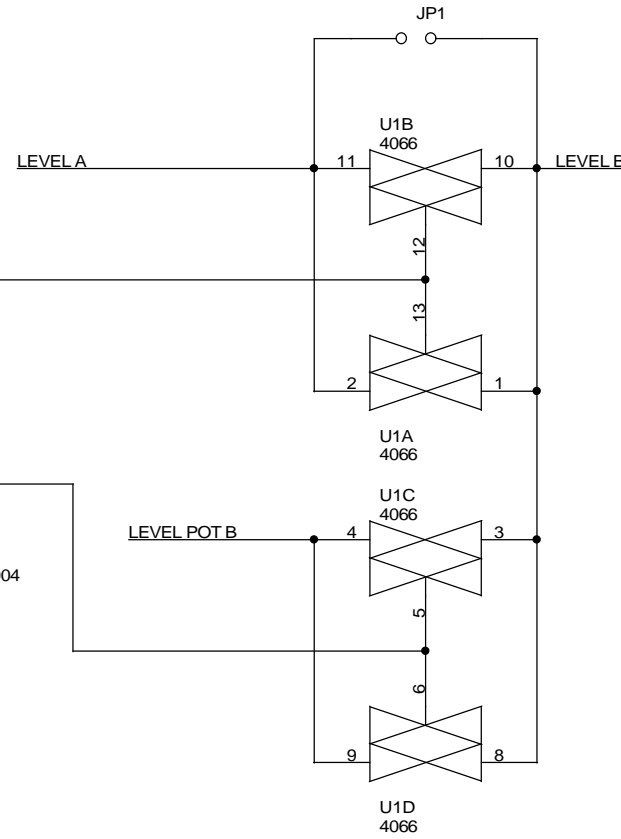
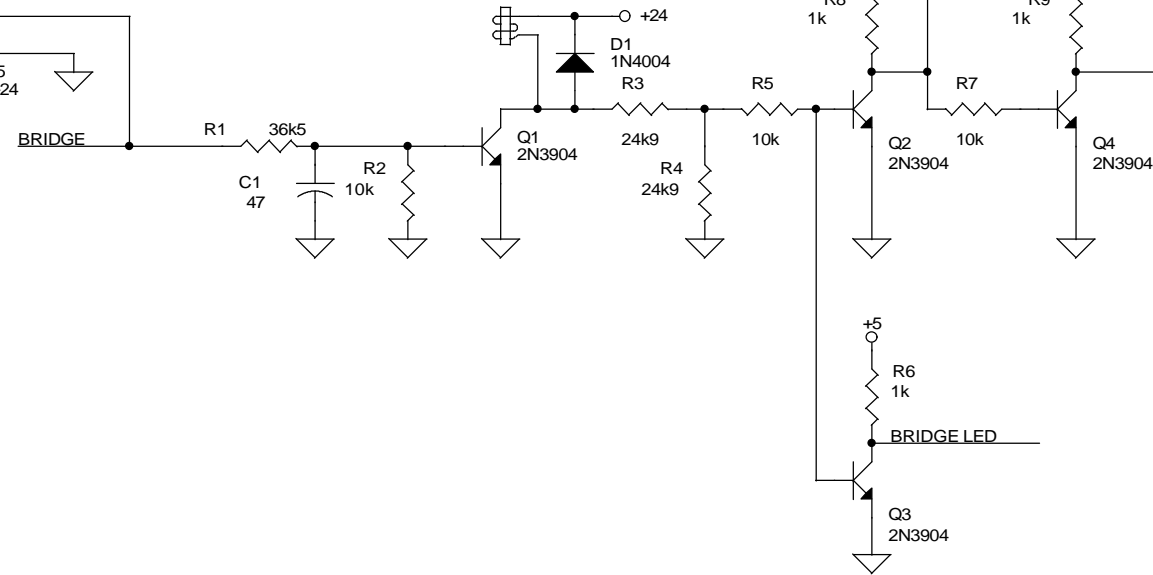
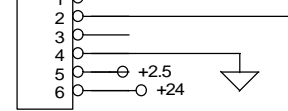
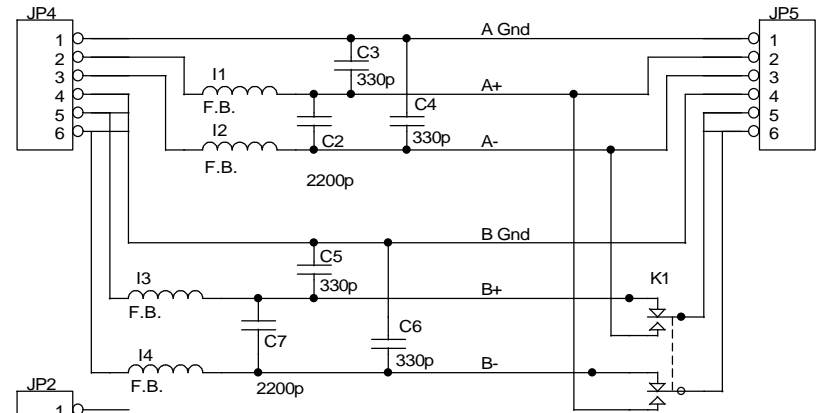
Apogee Sound Inc.		
Title: DA-SERIES, POWER MODULE, CONTROL CIRCUITRY		
Size B	Document Number: 10014 / PART#: 11-0109	Rev C
Date: Monday, April 26, 1999	Sheet 1 of 1	



APOGEE SOUND INC.		
Title DA-SERIES, INDICATION LED'S		
Size A	Document Number DOC#: 10012 / PART#: 11-0107	Rev A
Date: Monday, April 26, 1999	Sheet 1 of 1	

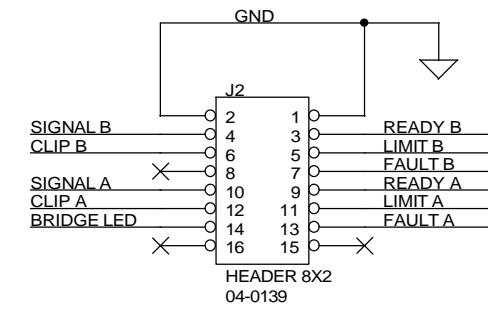
From Input XLR

To VCA Input

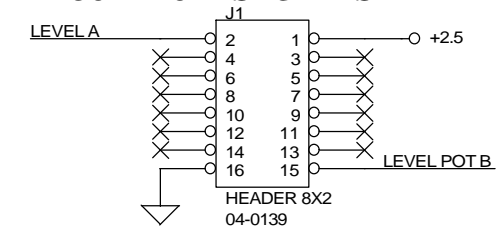


TO FRONT PANEL

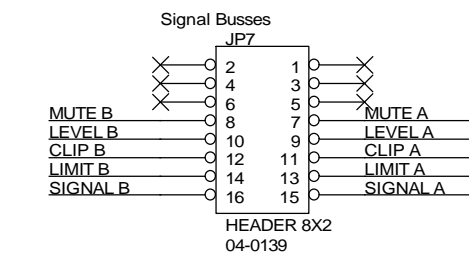
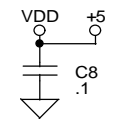
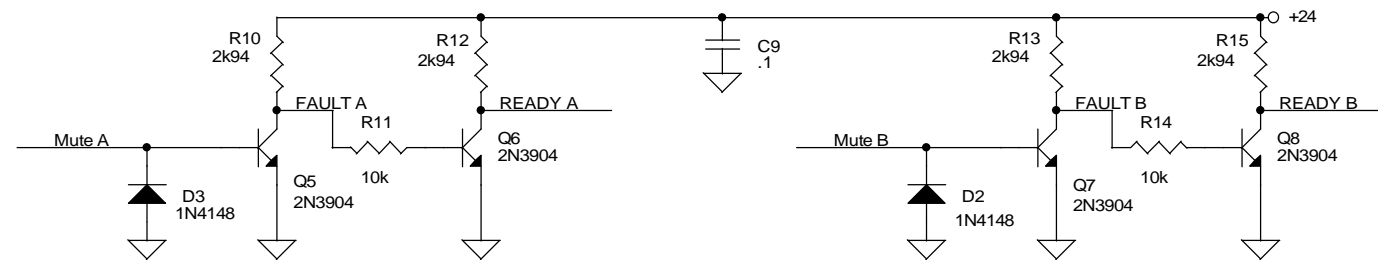
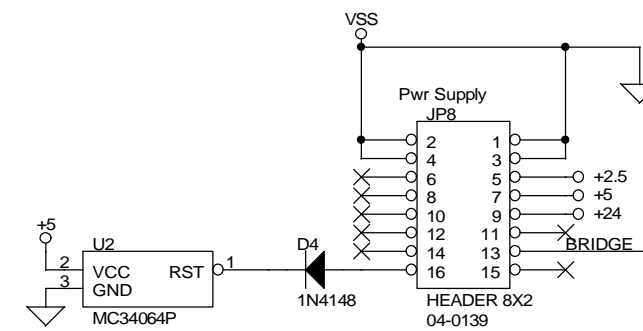
LED SIGNALS



CONTROL SIGNALS



FROM AMP CONTROL BOARDS

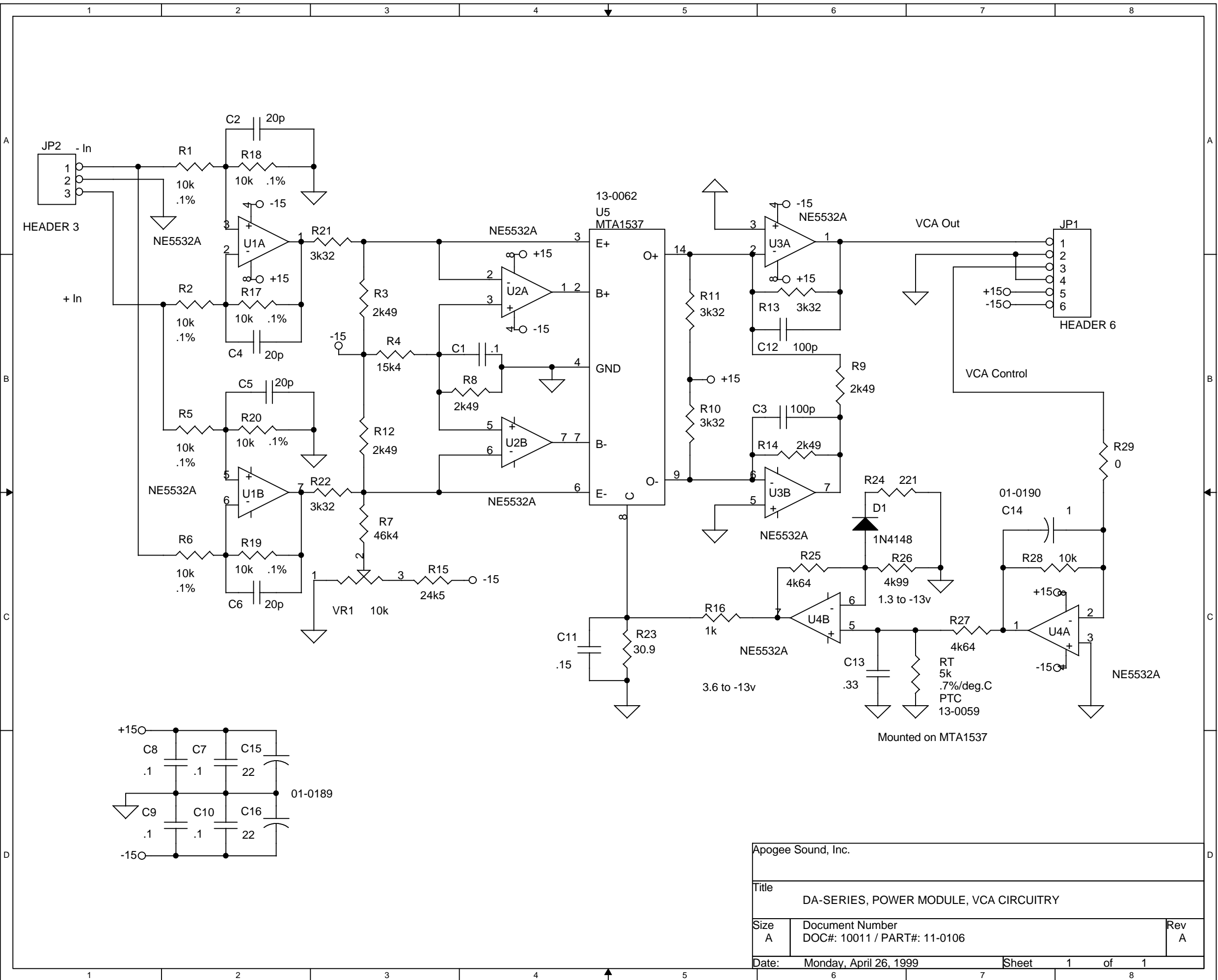


Apogee Sound Inc.

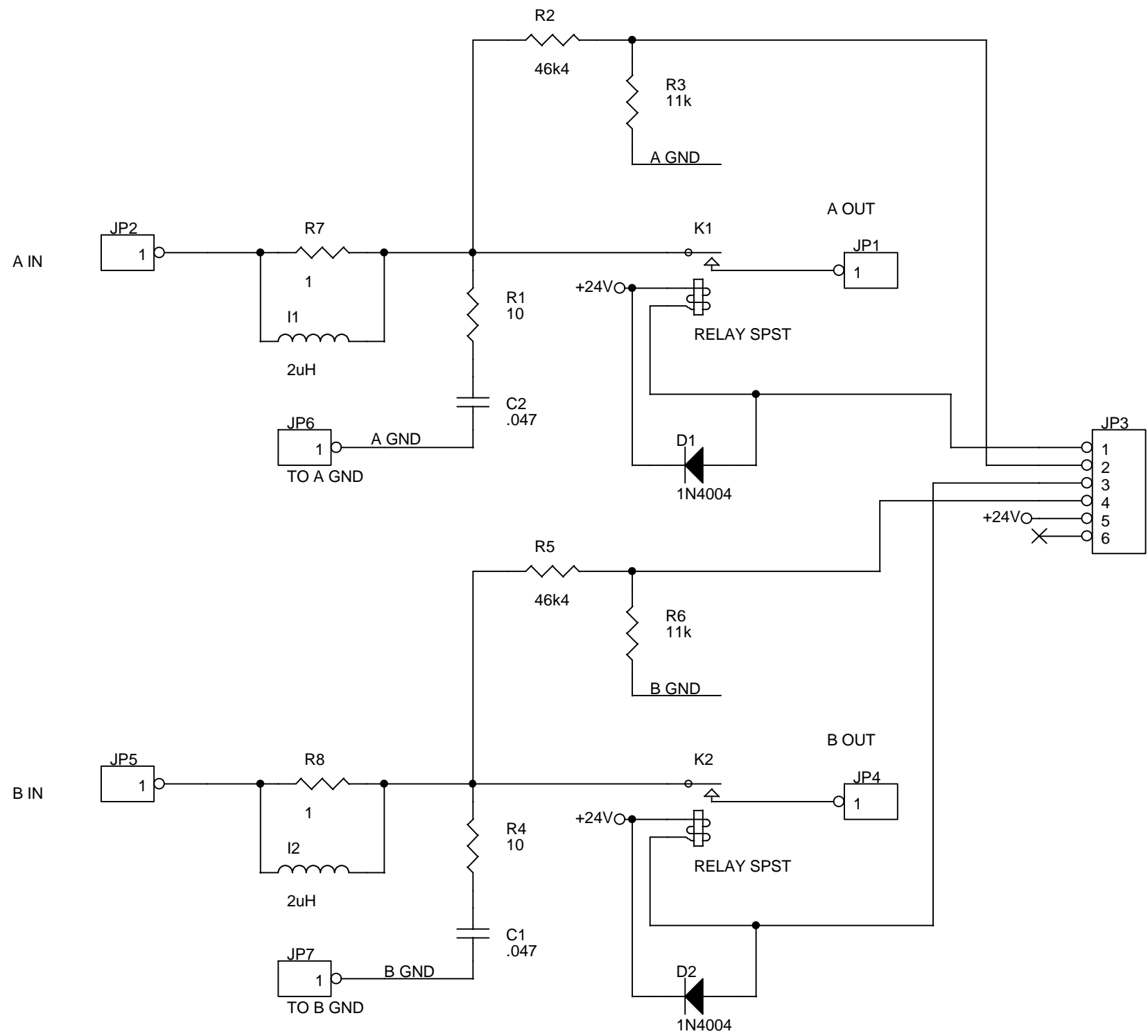
Title STRAIGHT AMP ANALOG LOGIC BOARD

Size B Document Number 10233 Rev B

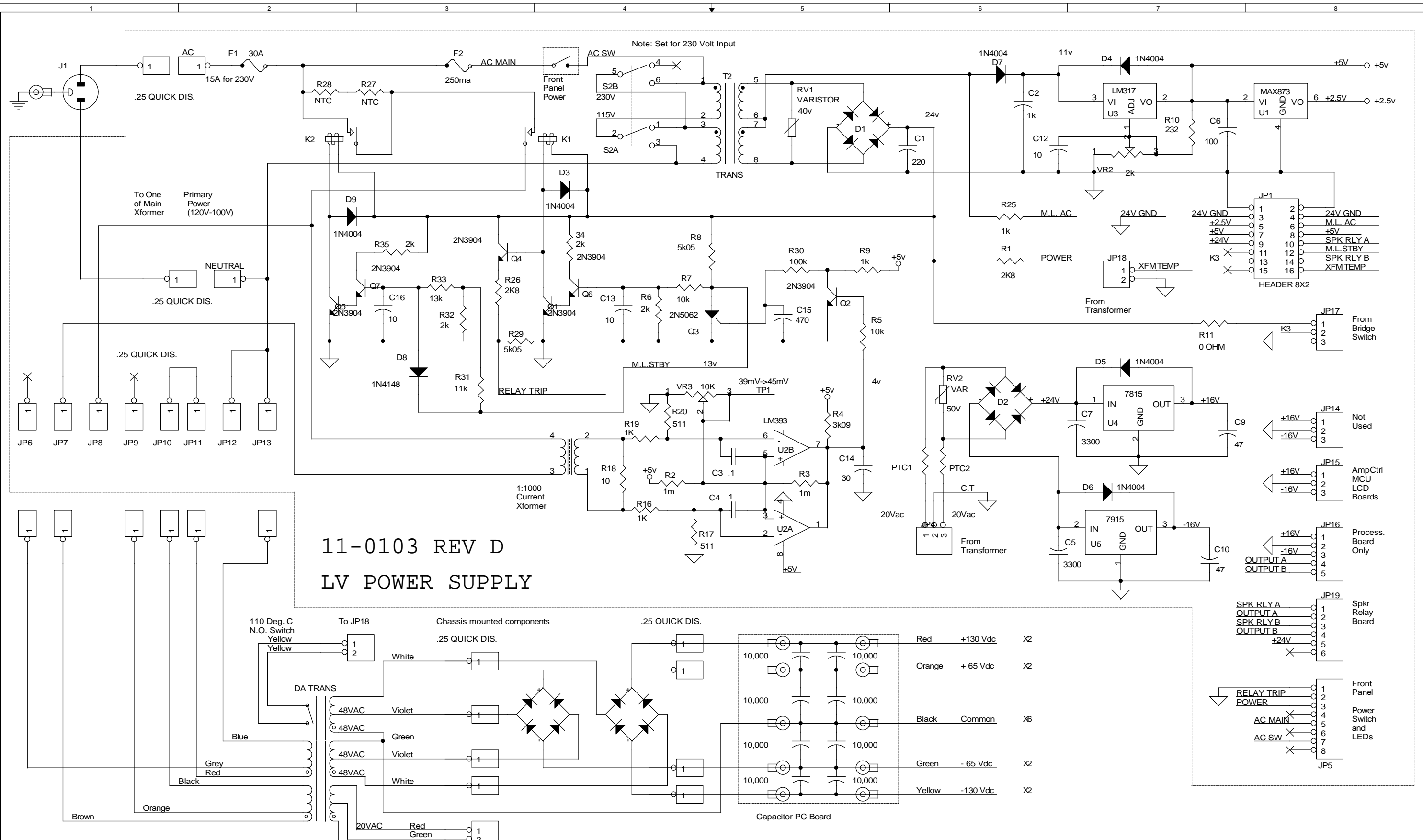
Date: Monday, April 26, 1999 Sheet 1 of 1



Apogee Sound, Inc.		
Title DA-SERIES, POWER MODULE, VCA CIRCUITRY		
Size A	Document Number DOC#: 10011 / PART#: 11-0106	Rev A
Date: Monday, April 26, 1999	Sheet 1	of 1



APOGEE SOUND INC.		
Title DA-SERIES, OUTPUT ZOBLE AND RELAY		
Size A	Document Number DOC#: 10010 / PART#: 11-0104	Rev A
Date: Monday, April 26, 1999	Sheet 1	of 1

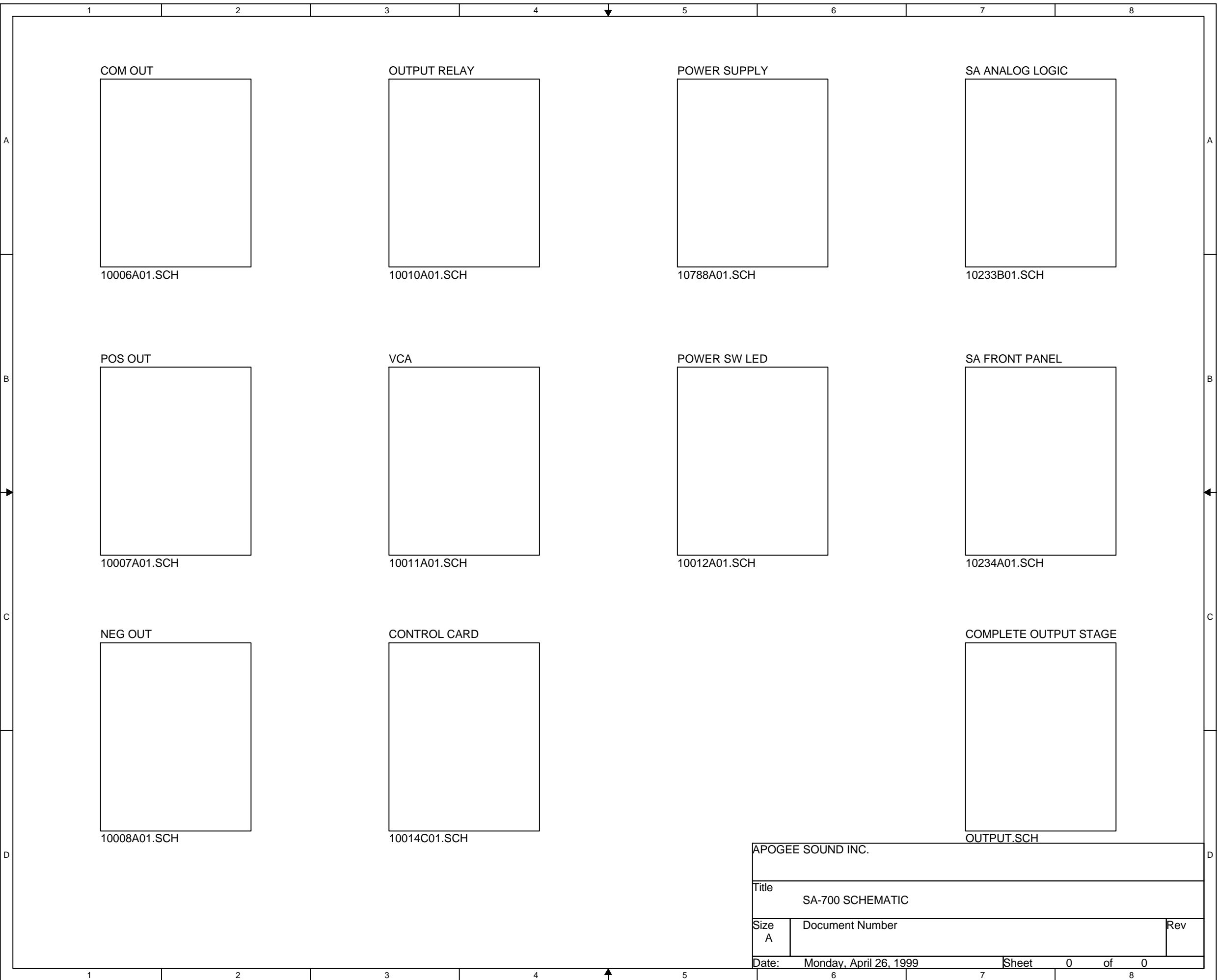


11-0103 REV D
LV POWER SUPPLY

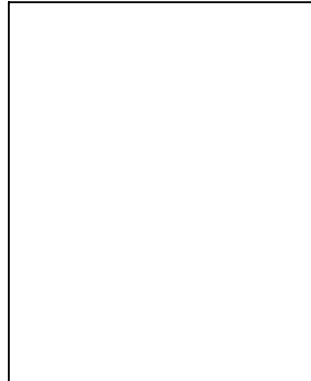
NEW TRANSFORMER
WIRE COLORS

Note: Set for 230 Volt Input

APOGEE SOUND INC.		
Title DA HIGH AND LOW VOLTAGE POWER - 230 VOLT		
Size B	Document Number 10788	Rev A
Date: Monday, April 26, 1999	Sheet 2	of 2



COM OUT



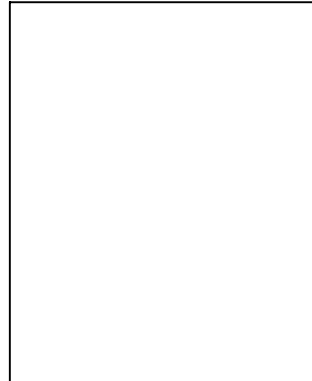
10006A01.SCH

OUTPUT RELAY



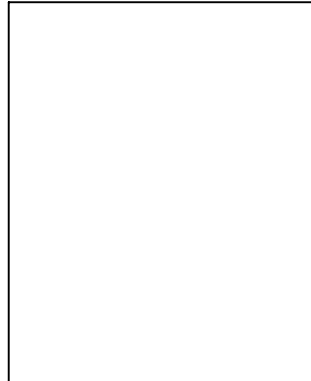
10010A01.SCH

POWER SUPPLY



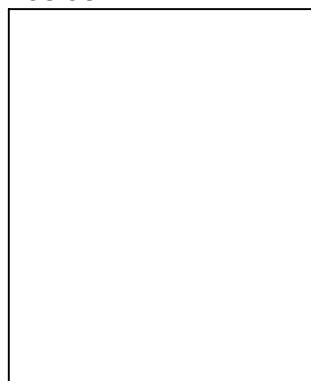
10788A01.SCH

SA ANALOG LOGIC



10233B01.SCH

POS OUT



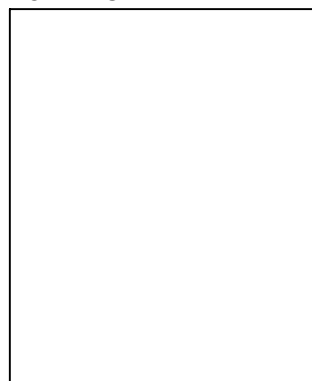
10007A01.SCH

VCA



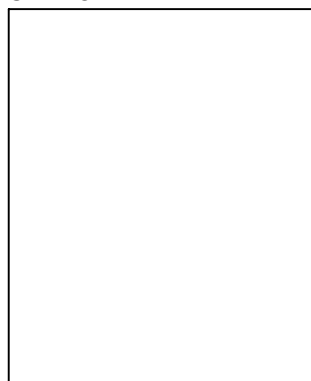
10011A01.SCH

POWER SW LED



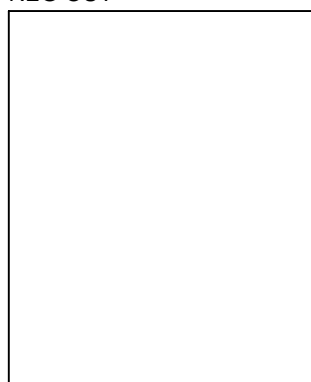
10012A01.SCH

SA FRONT PANEL



10234A01.SCH

NEG OUT



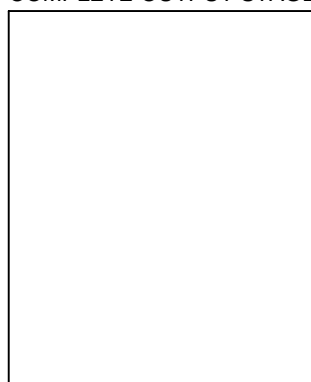
10008A01.SCH

CONTROL CARD



10014C01.SCH

COMPLETE OUTPUT STAGE



OUTPUT.SCH

APOGEE SOUND INC.			
Title SA-700 SCHEMATIC			
Size A	Document Number	Rev	
Date: Monday, April 26, 1999	Sheet 0	of 0	