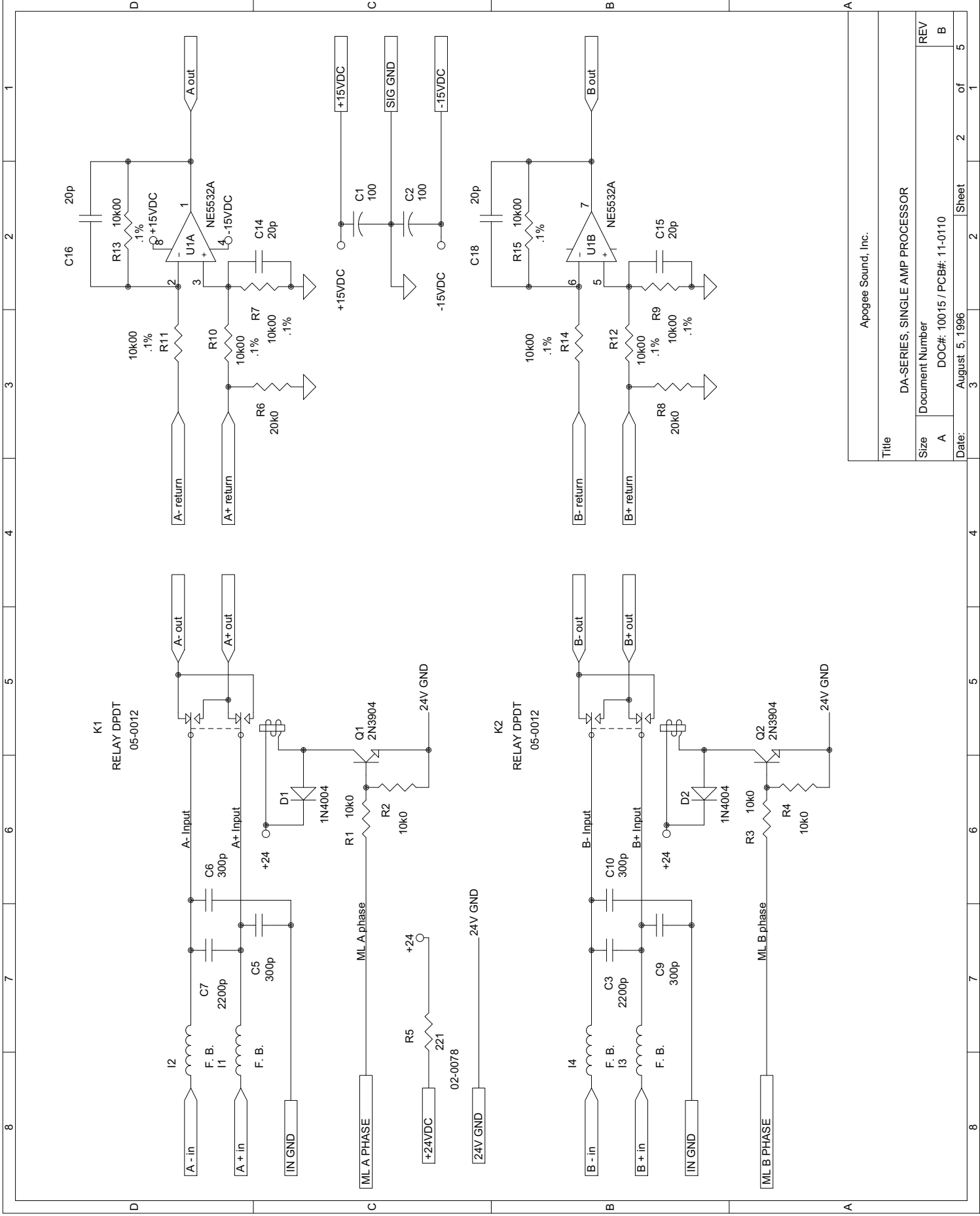


Apogee Sound, Inc.				
Title				
DA-SERIES, SINGLE AMP PROCESSOR				
Size	Document Number			REV
A	DOC#: 10015 / PART#: 11-0110			B
Date:	August 5, 1996	Sheet	1	of 5



Apogee Sound, Inc.

Title		DA-SERIES, SINGLE AMP PROCESSOR		
Size	Document Number	REV		
A	A	B		
Date:	August 5, 1996	Sheet	2	of 5
			1	

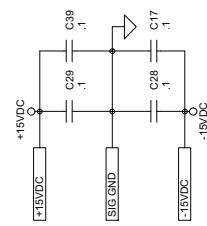
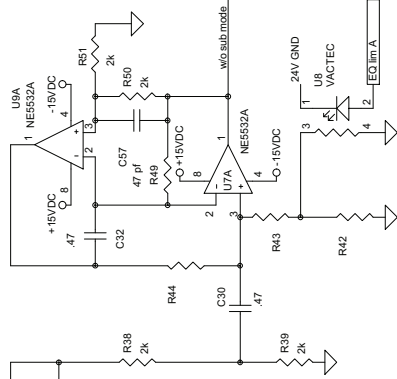
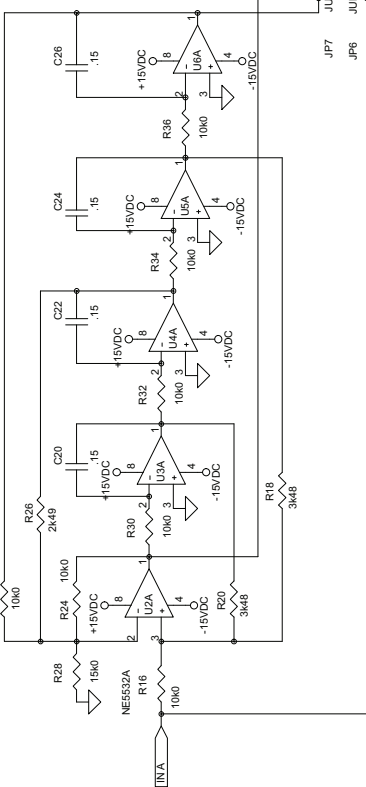
SINGLE AMP MODELS

Include relay JP8, JP9, JP5, JP10
Omit Jumper JP7, JP8, JP9, JP5, JP10
Add Jumper JP8 and JP9

SUBWOOFER MODELS

Omit relay JP8, JP9, JP5, JP10
Omit Jumper JP7, JP8, JP9, JP5, JP10
Add Jumpers JP7, JP8, JP5, JP10

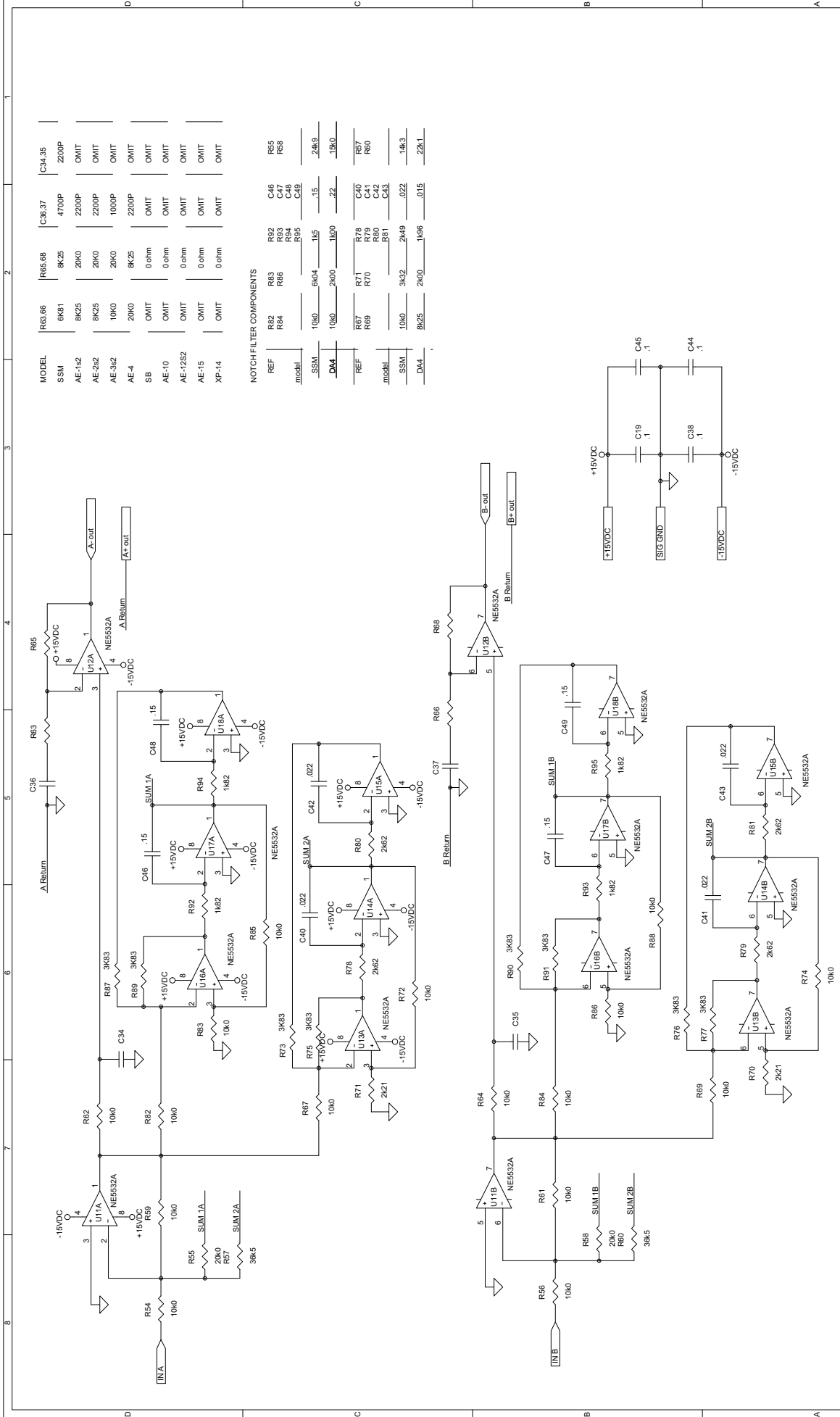
model	R43,45	R42,48	R44,46,47,49
SSM	3k83	24k9	6k19
AE-1&2	2k94	12k4	5k62
AE-2&2	2k84	12k4	5k62
AE-3&2	2k8	13k	5k62
AE-4	2k84	13k	5k23
SB	12k4	8k25	19k1
AE-10	6k49	14k3	10k5
AE-12&2	7k5	24k9	12k4
AE-15	5k23	9k76	9k09
XP-14	7k5	1k5	12k4



Title	DA-SERIES, SINGLE AMP PROCESSOR			
Size	B	Document Number	DOC#: 10015 / PCB# 11-0110	
Date:	August 5, 1996	Sheet	3	of 5
REV	B			

Apogee Sound, Inc.

Title		Apogee Sound, Inc.	
DA-SERIES SINGLE AMP PROCESSOR			
Size	Document Number		
B	10015 / PART# 11-0110		
Date	August 5, 1996	Sheet	4 of 5



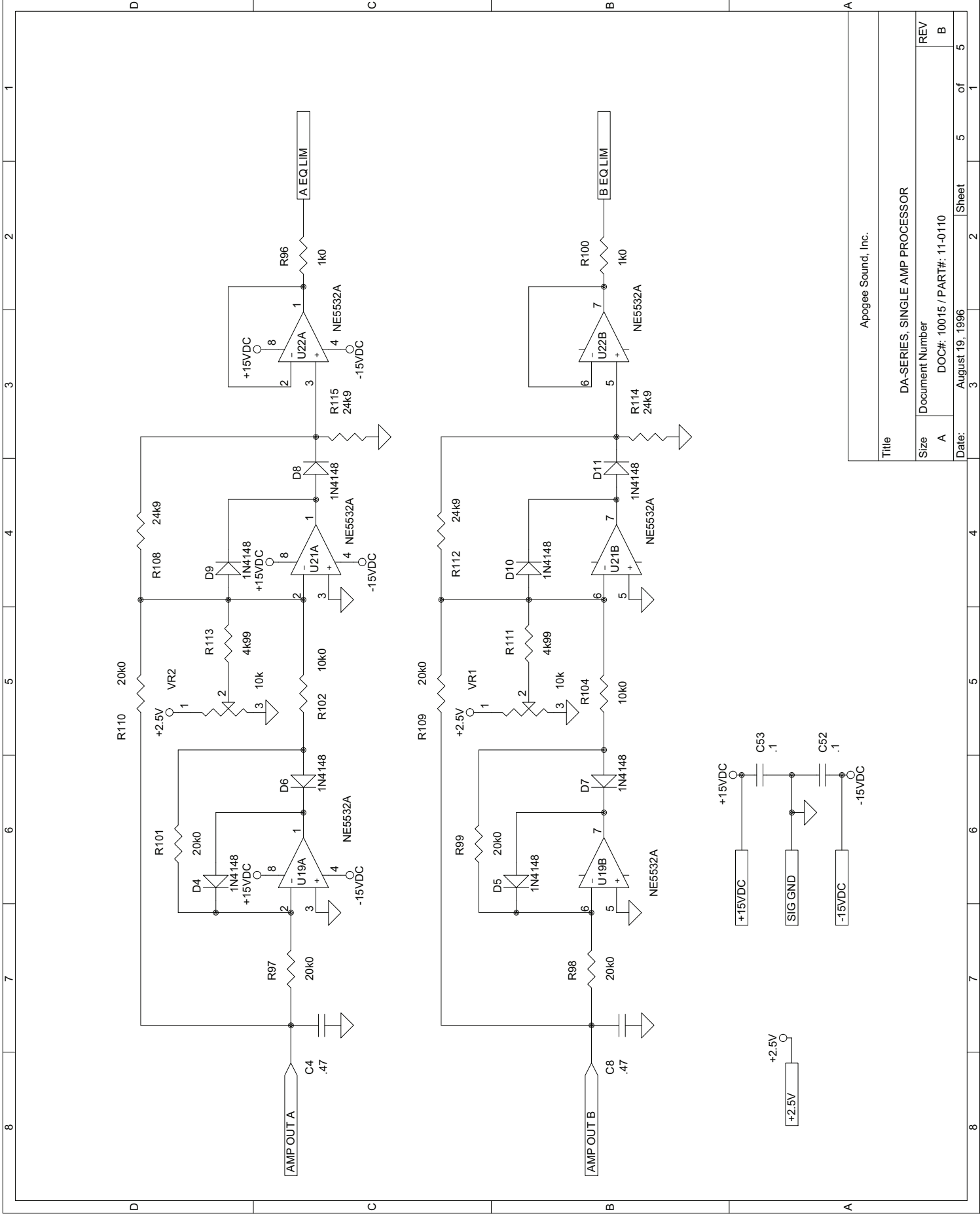
NOTCH FILTER COMPONENTS

MODEL	R63.66	R65.68	C38.37	C34.35
SSM	6K81	8K25	4700P	2200P
AE-1&2	OMIT	20K0	2200P	OMIT
AE-2&2	8K25	20K0	2200P	OMIT
AE-3&2	10K0	20K0	1000P	OMIT
AE-4	20K0	8K-25	2200P	OMIT
SB	OMIT	0 ohm	OMIT	OMIT
AE-10	OMIT	0 ohm	OMIT	OMIT
AE-12&2	OMIT	0 ohm	OMIT	OMIT
AE-15	OMIT	0 ohm	OMIT	OMIT
XP-14	OMIT	0 ohm	OMIT	OMIT

REF	R82	R83	R84	R86	R88	R92	R95	C46	C47	C48
model	10K0	6K04	1K5	2K49	1K0	22	.15	15K0		

REF	R67	R69	R71	R73	R75	R77	R79	R81	R83	R85
model	10K0	3K32	2K49	.022	1K43	22K1				

Title		Apogee Sound, Inc.	
DA-SERIES SINGLE AMP PROCESSOR			
Size	Document Number		
B	10015 / PART# 11-0110		
Date	August 5, 1996	Sheet	4 of 5



Apogee Sound, Inc.

Title		DA-SERIES, SINGLE AMP PROCESSOR		
Size	Document Number	REV		
A	A	B		
Date:	August 19, 1996	Sheet	5	of 5
			2	1

