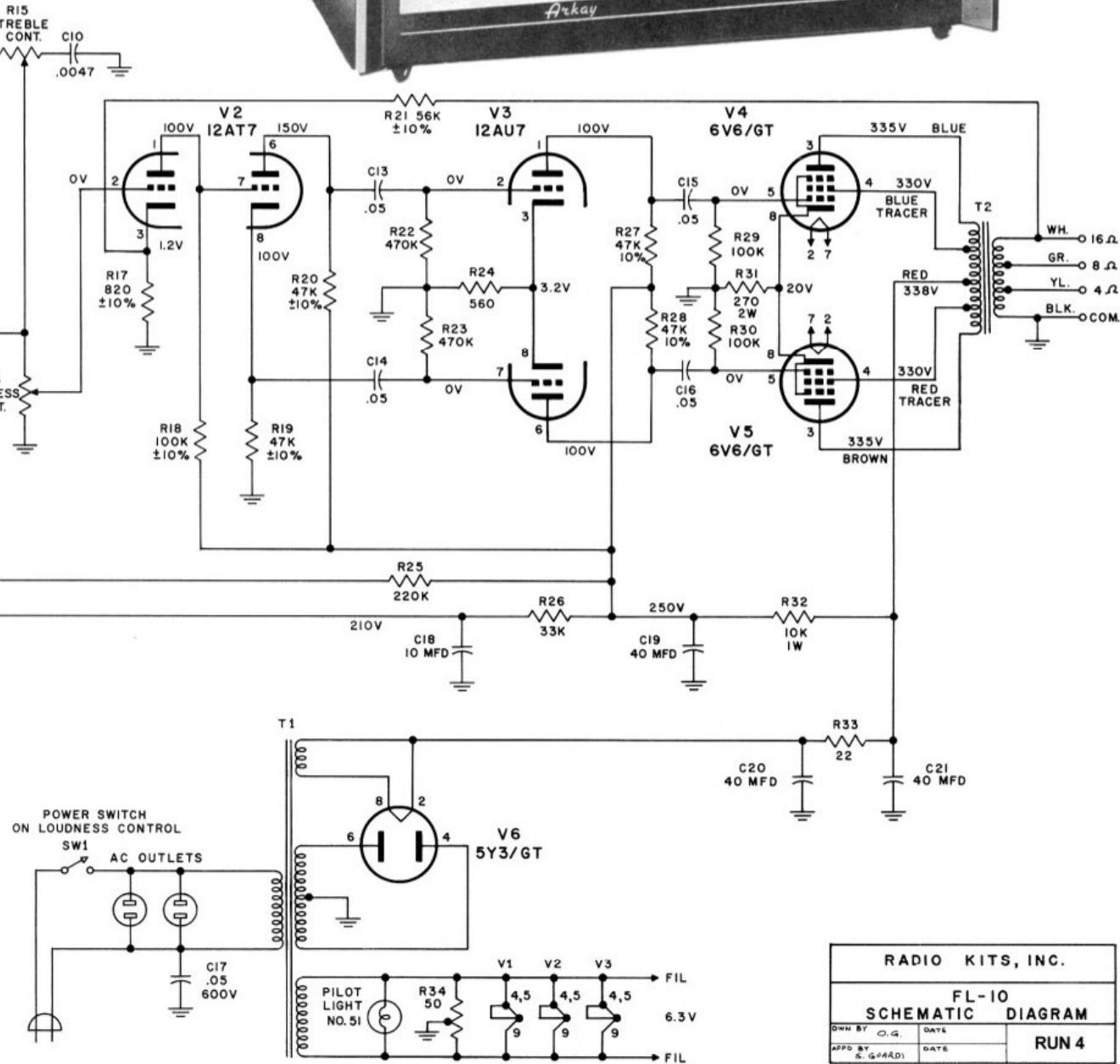


# ARKAY FL-10



UNLESS INDICATED  
 ALL RESISTORS  $\frac{1}{2}$  WATT 20%  
 ALL CAPACITORS 400V.  
 VOLTAGES MEASURED WITH 20,000  
 OHMS PER VOLT METER AT 117V AC  
 LINE AND NO SIGNAL APPLIED.  
 VOLTAGE READINGS ARE APPROXIMATE.

\* MAGNETIC POSITION OF FUNCTION SWITCH.  
 \*\* OTHER POSITIONS OF FUNCTION SWITCH.

RADIO KITS, INC.			
FL-10 SCHEMATIC DIAGRAM			
OWN BY	C. G.	DATE	
APP'D BY	S. G. (RAD)	DATE	
			RUN 4