

SHEET 1 OF 2 PCB = APC038

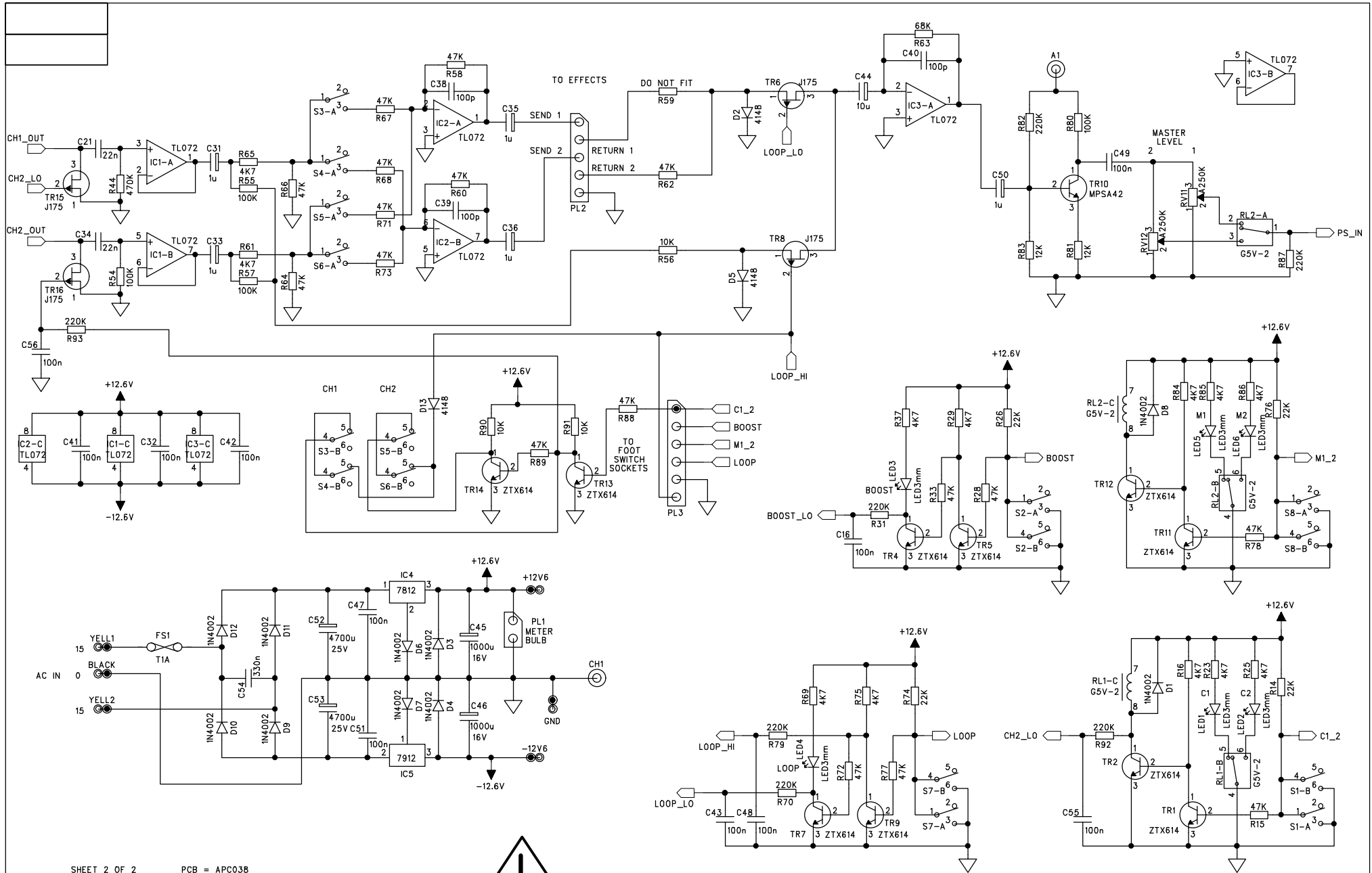
TITLE VALVE SECTION
 PROJECT 180 WATT HM GUITAR AMP
 DRAWING No ACD038
 ISSUE 3
 DATE 24/12/02
 DRAWN BY CLIVE BUTTON

ASHDOWN LTD
 PARK FARM, INWORTH
 COLCHESTER, ESSEX, CO5 9SH
 ENGLAND
 TEL (01376) 572872
 FAX (01376) 572972

ISSUE 3 - R5 CHANGED TO 470K (WAS 1M)
 CHANGE - 22/02/03 - R7 68K R5 1M R44 470K R59 DO NOT FIT



COMPONENTS USED ARE OF AN APPROVED TYPE AND MUST BE REPLACED ACCORDINGLY

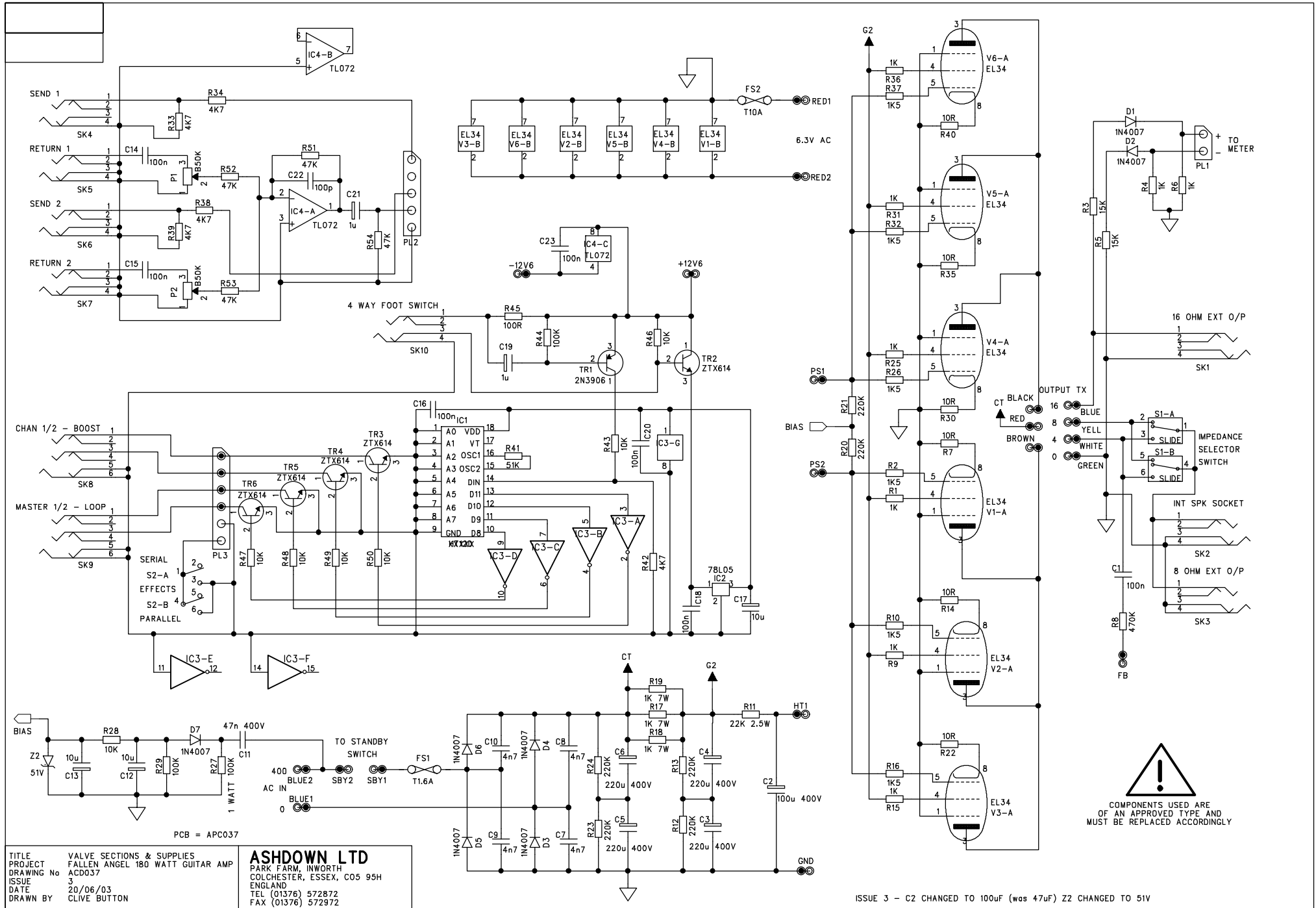


SHEET 2 OF 2 PCB = APC038



COMPONENTS USED ARE OF AN APPROVED TYPE AND MUST BE REPLACED ACCORDINGLY

TITLE	SUPPLIE & EFFECTS	ASHDOWN LTD PARK FARM, INWORTH COLCHESTER, ESSEX CO5 95H ENGLAND TEL (01376) 572872 FAX (01376) 572972
PROJECT	180W HM GUITAR AMP	
DRAWING No	ACD038	
ISSUE	2	
DATE	24/12/02	
DRAWN BY	CLIVE BUTTON	



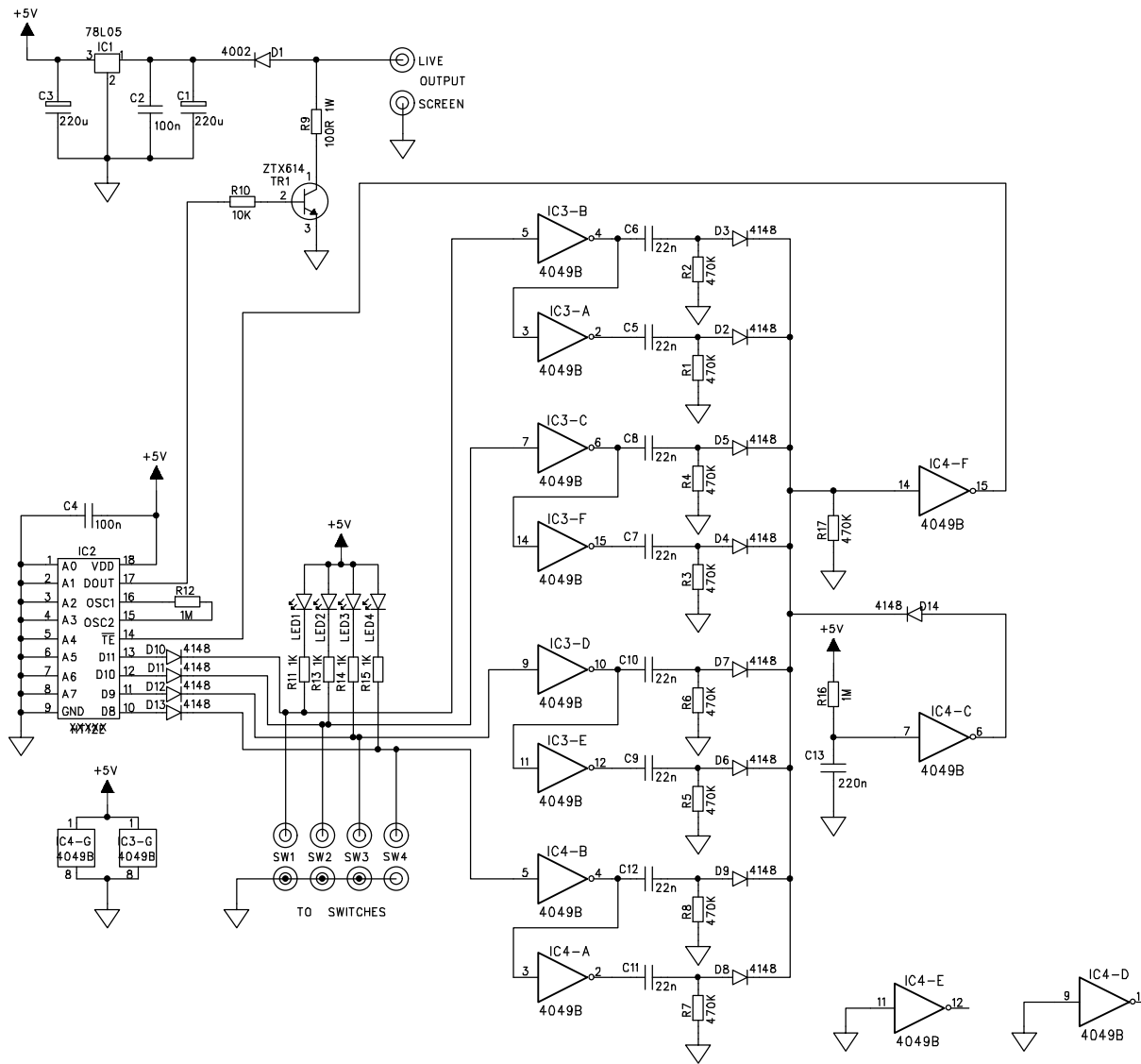
PCB = APC037

TITLE VALVE SECTIONS & SUPPLIES
 PROJECT FALLEN ANGEL 180 WATT GUITAR AMP
 DRAWING No ACD037
 ISSUE 3
 DATE 20/06/03
 DRAWN BY CLIVE BUTTON

ASHDOWN LTD
 PARK FARM, INWORTH
 COLCHESTER, ESSEX, CO5 9SH
 ENGLAND
 TEL (01376) 572872
 FAX (01376) 572972

ISSUE 3 - C2 CHANGED TO 100uF (was 47uF) Z2 CHANGED TO 51V

!
 COMPONENTS USED ARE
 OF AN APPROVED TYPE AND
 MUST BE REPLACED ACCORDINGLY



PCB = APC039

TITLE 4 WAY FOOT SWITCH
 PROJECT 180W HM GUITAR AMP
 DRAWING No ACD039
 ISSUE A
 DATE 29/11/02
 DRAWN BY CLIVE BUTTON

ASHDOWN
 PARK FARM, INWORTH
 COLCHESTER, CO5 9SH
 ENGLAND
 TEL (01376) 572872
 FAX (01376) 572972