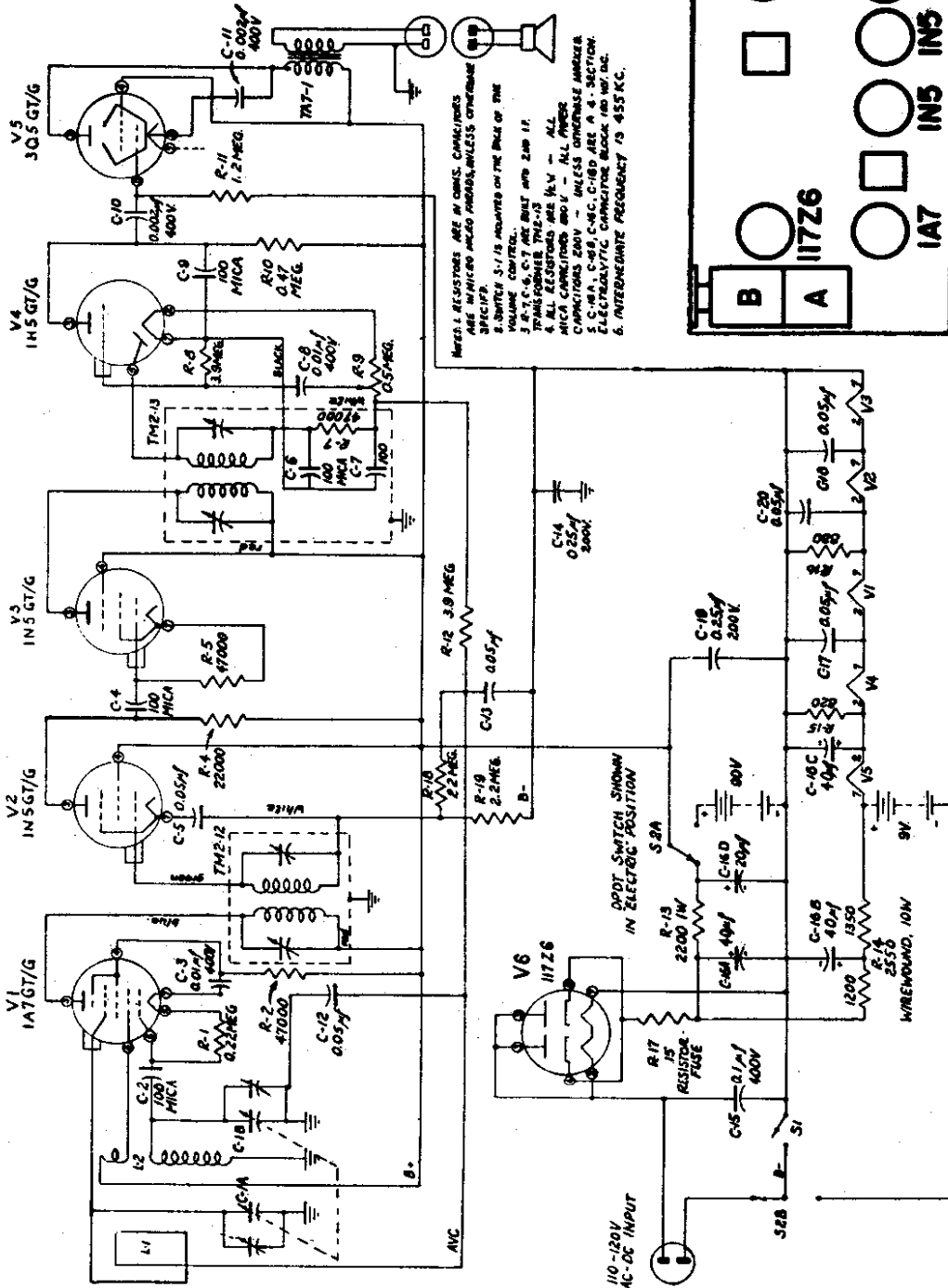
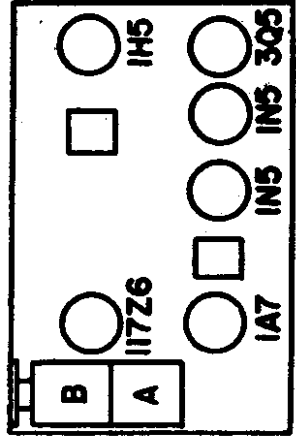


MODELS NUP, NU6

ATLAS SUPPLY CO.



NOTE: 1. RESISTORS ARE IN OHMS, CAPACITORS ARE IN MICRO MHO UNLESS OTHERWISE SPECIFIED.  
 2. SWITCH S-1 IS ADJUSTED ON THE SCALE OF THE VOLUME CONTROL.  
 3. R-1, C-5, C-7 ARE BUILT UP 240 1%  
 4. TRANSFORMER T1-2 IS  
 5. ALL RESISTORS ARE 1/4" ALL CAPACITORS ARE 1/2" UNLESS OTHERWISE SPECIFIED.  
 6. ELECTROLYTIC CAPACITORS ARE A-B SECTION.  
 7. ELECTROLYTIC CAPACITOR BLOCK (NO. 107) D.C.  
 8. INTERMEDIATE FREQUENCY IS 455 KC.



LOCATION OF TUBES