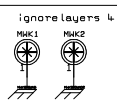
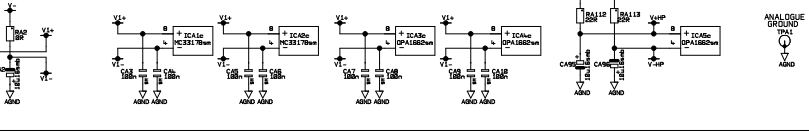
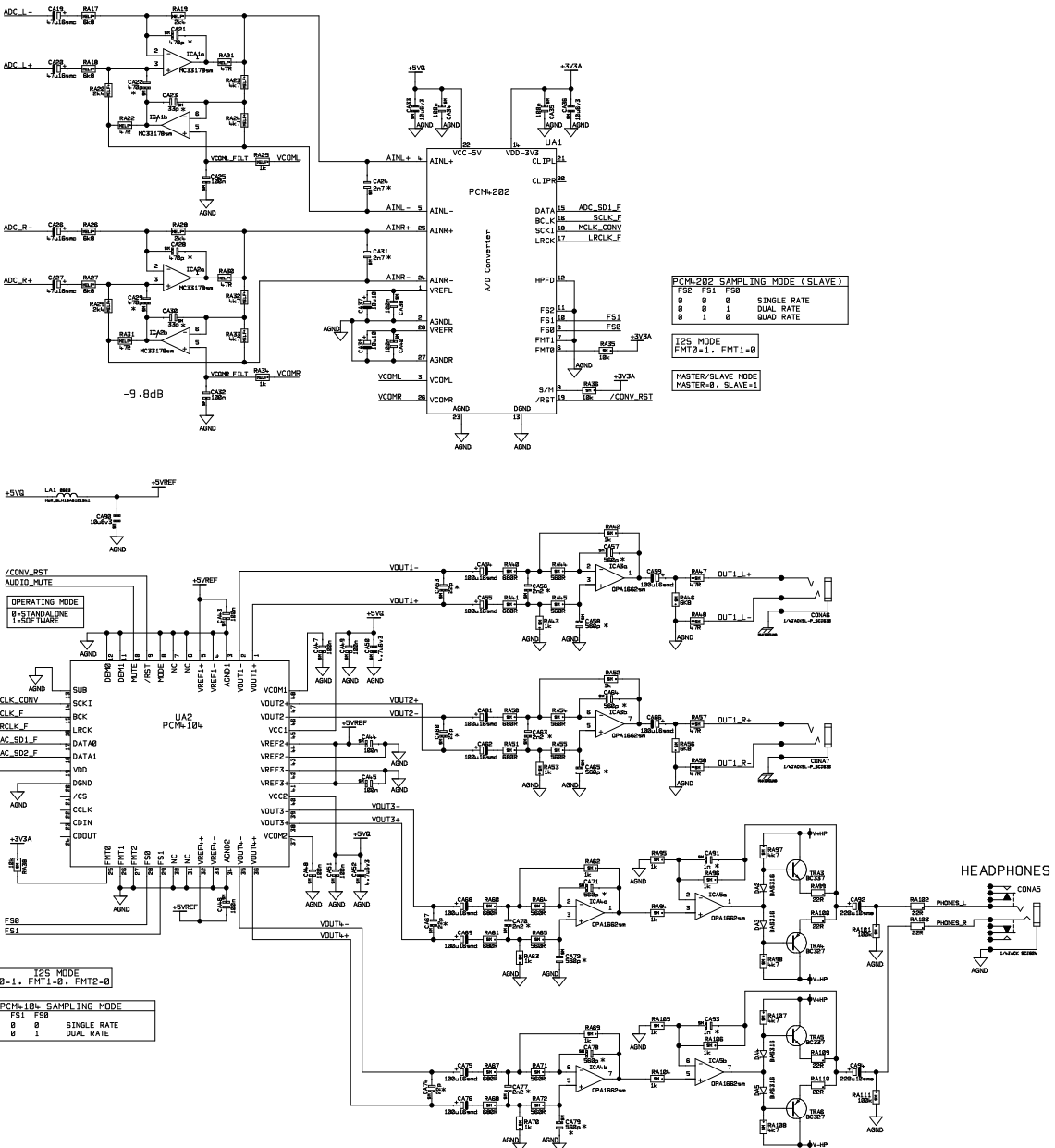
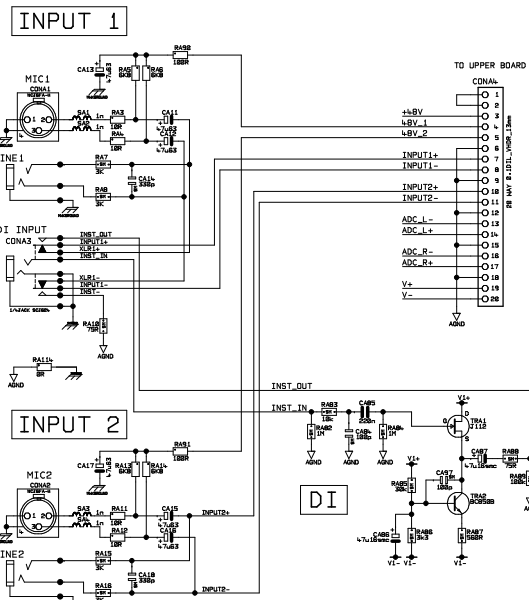


ASSOCIATED DRAWINGS

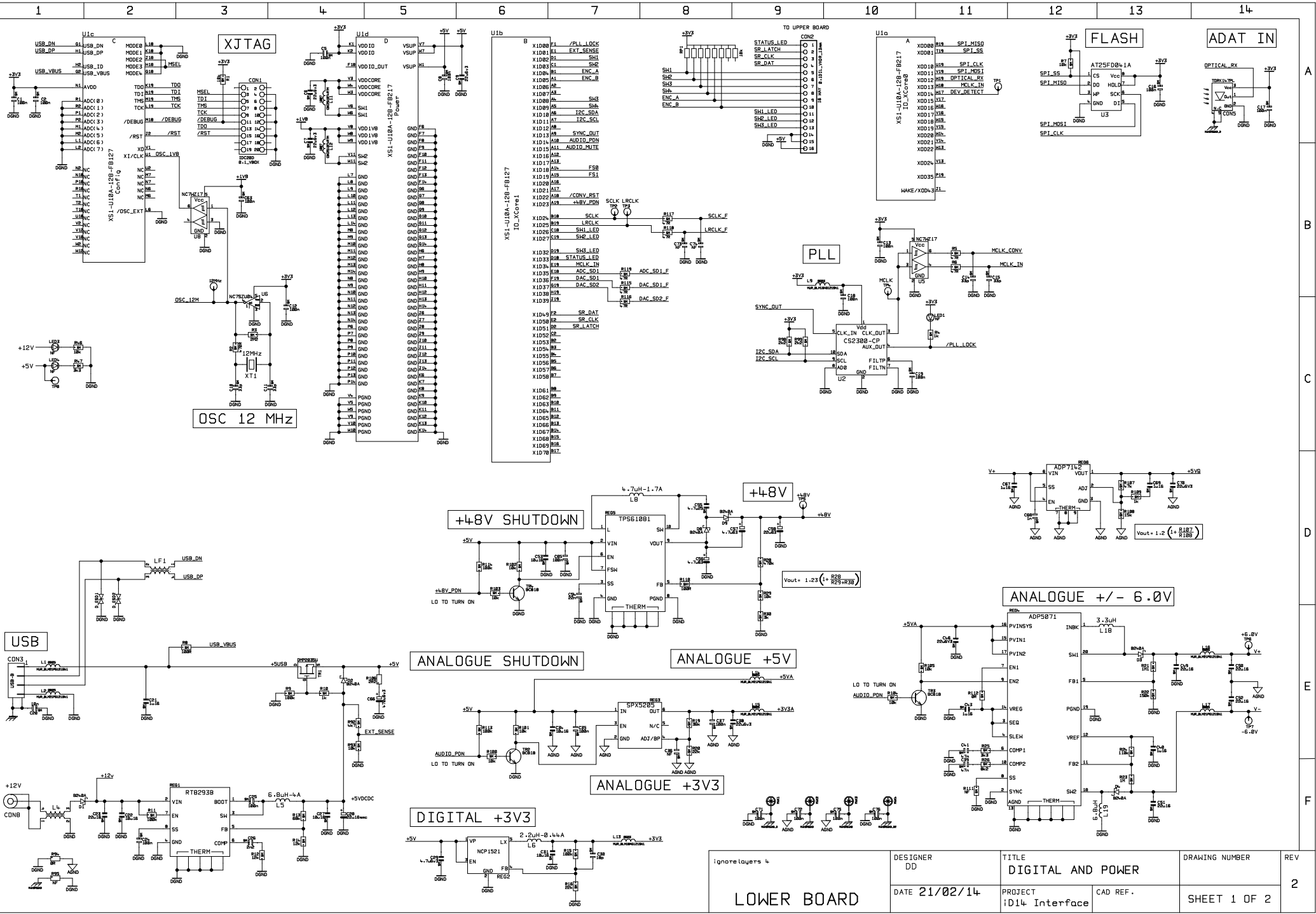


REV	DESCRIPTION	DATE	BY	CHK.	©
C	Added differential feedback and anti-latch diodes	08.02.15	DD		
1	R10, R40 were 150R. C12, C13, C23, C24 were 100p	14.03.15	DD		
	C14, C15 were 1000u6.3smg				
1d	Changed input caps for more Bki 330pF & changed LED resistors	11/09/15	TW		
1e	IC1 and IC2 were MC33178. D9.10.11.12 not fitted.	10.12.15	DD		
1f	R60, 61, 68, 69 were 1k8				

TITLE	DRAWING NUMBER	REV
ID14 INPUT CHANNELS 1/2		
PROJECT	SHEET 1 OF 1	1f



ignorelayers 4 * IMPORTANT!! MUST BE COG TYPE	DESIGNER DD	TITLE ANALOGUE AND CONVERTOR	DRAWING NUMBER	REV 2
	DATE 21/02/14	PROJECT iD14 Interface	CAD REF. SHEET 2 OF 2	



ignorelayers 4	DESIGNER DD	TITLE DIGITAL AND POWER	DRAWING NUMBER	REV 2
LOWER BOARD	DATE 21/02/14	PROJECT iD14 Interface	CAD REF.	SHEET 1 OF 2