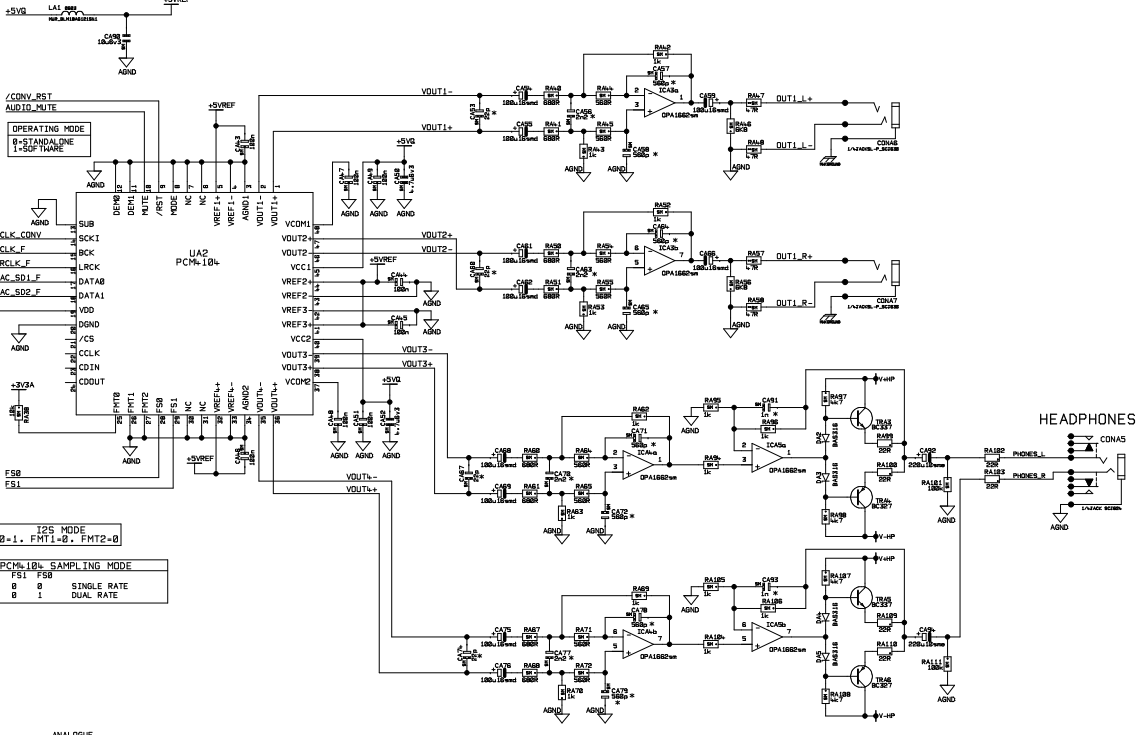
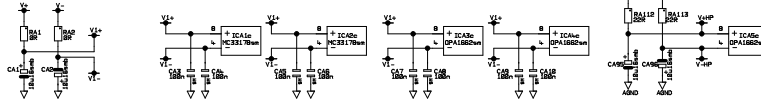


**PCM202 SAMPLING MODE (SLAVE)**  
 FS2 FS1 FS0  
 0 0 0 SINGLE RATE  
 0 0 1 DUAL RATE  
 0 1 0 QUAD RATE  
 0 1 1  
**I2S MODE**  
 FMT0=1, FMT1=0  
**MASTER/SLAVE MODE**  
 MASTER=8, SLAVE=1



**I2S MODE**  
 FMT0=1, FMT1=0, FMT2=0

**PCM108 SAMPLING MODE**  
 FS1 FS0  
 0 0 SINGLE RATE  
 0 1 DUAL RATE



ANALOGUE GROUND

LOWER BOARD

ignorelayers 4 * IMPORTANT!! MUST BE COG TYPE	DESIGNER DD	TITLE ANALOGUE AND CONVERTOR	DRAWING NUMBER	REV 2
	DATE 21/02/14	PROJECT iD14 Interface	CAD REF. SHEET 2 OF 2	

A  
B  
C  
D  
E  
F