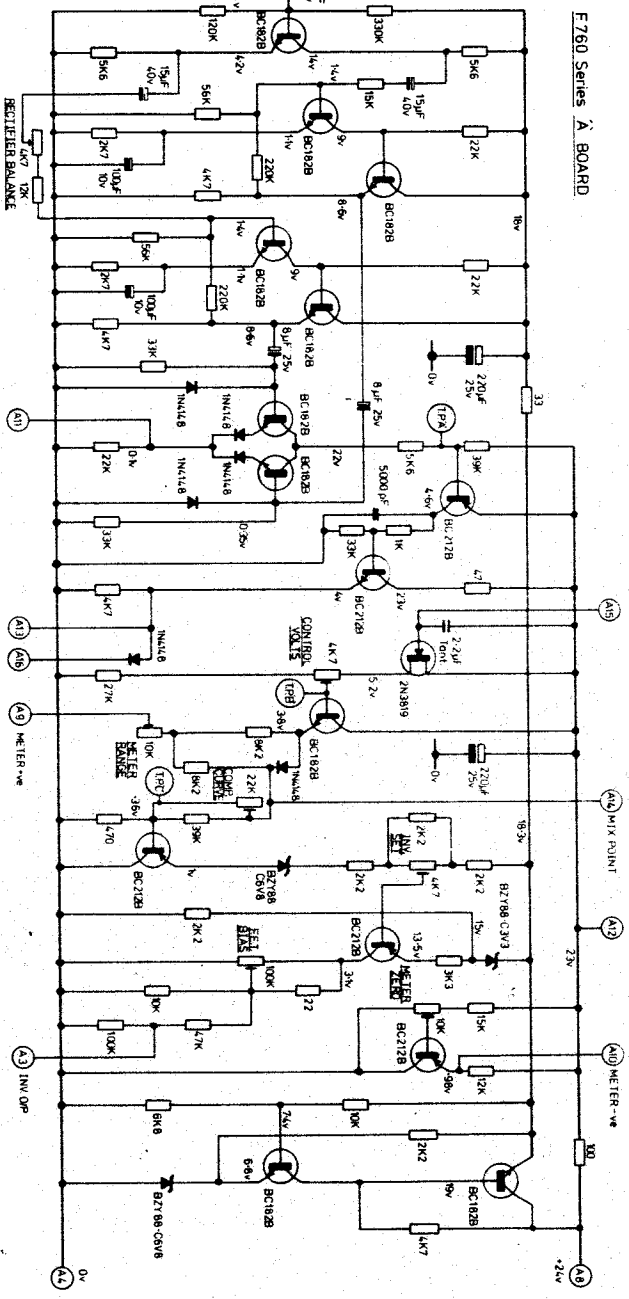
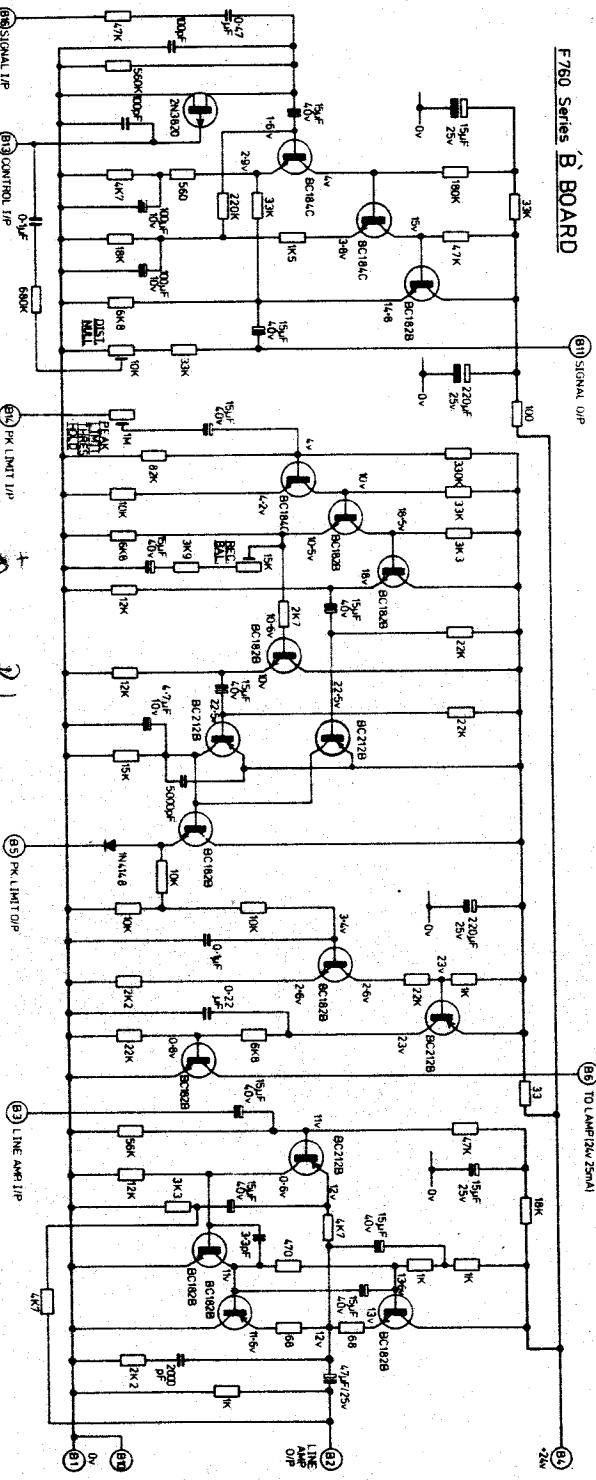


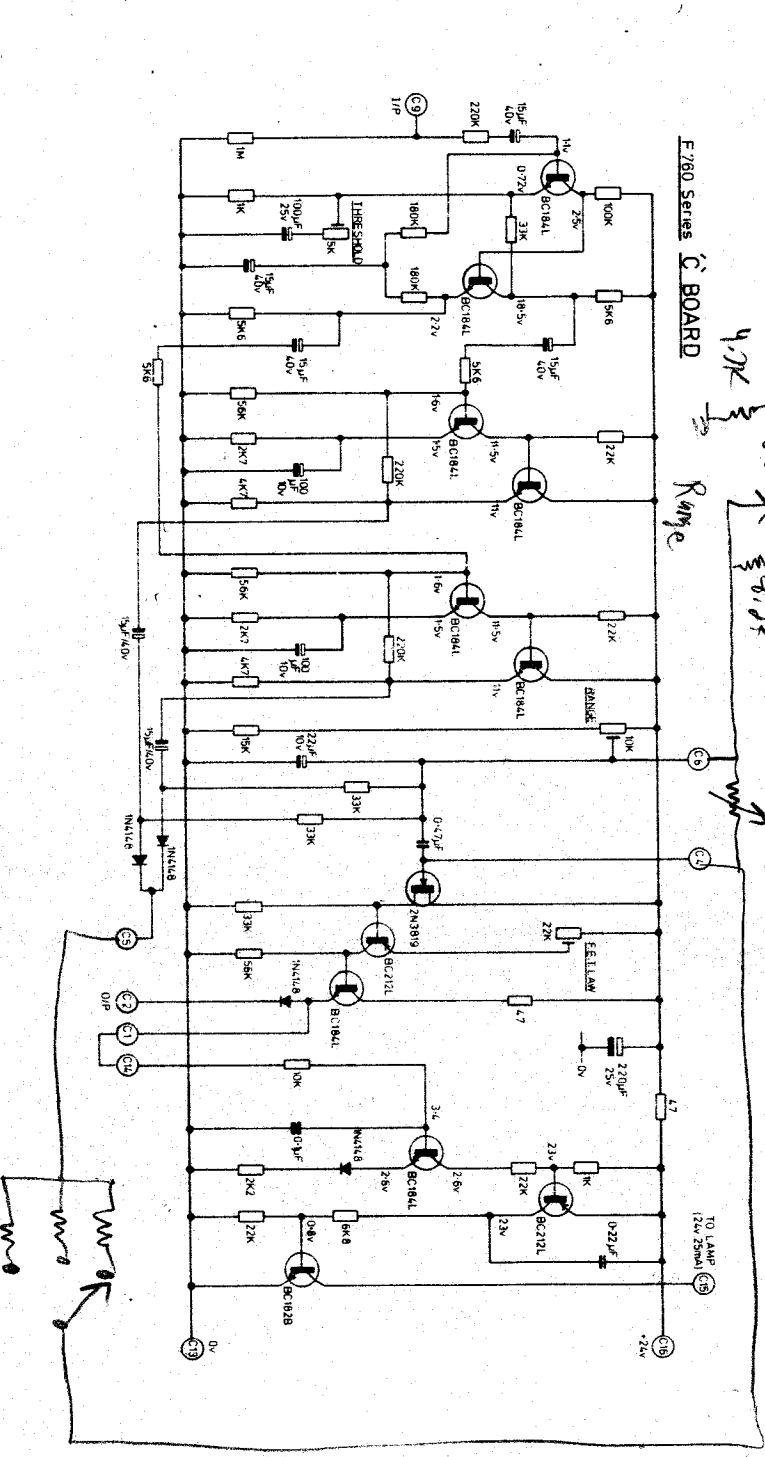
F760 Series A BOARD



F760 Series B BOARD

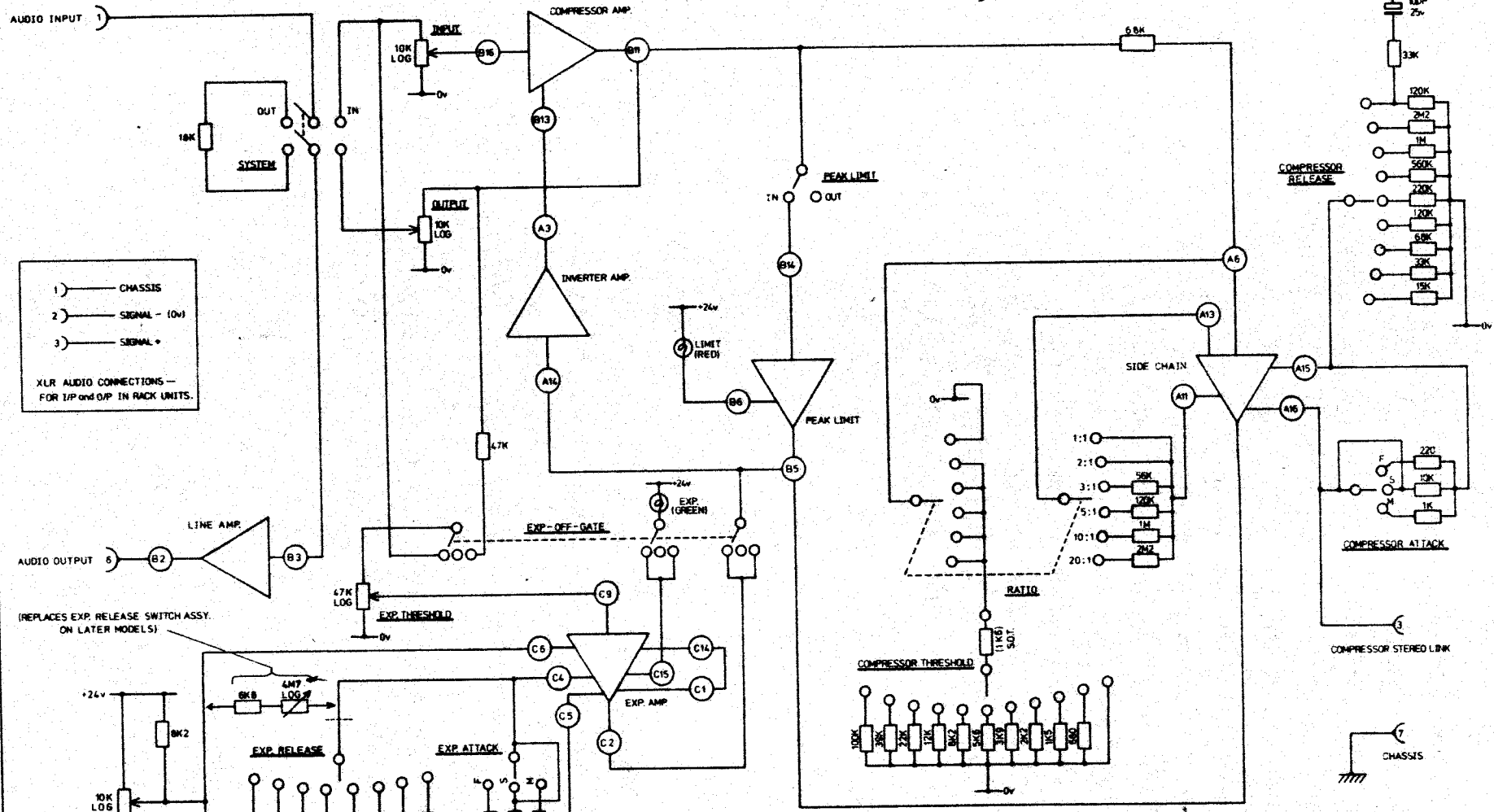
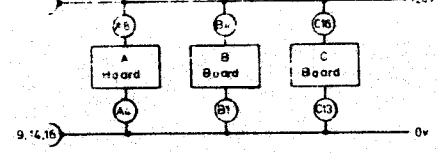
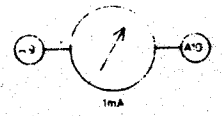


F760 Series C BOARD



MODULE EXTERNAL CONNECTIONS
(16 WAY BLUE RIBBON / RED RANGE PLUG)

F700 Series Use this drawing But refer to Manual for Compressor Attack and Threshold Details



- 1) CHASSIS
 - 2) SIGNAL - (0v)
 - 3) SIGNAL +
- XLR AUDIO CONNECTIONS —
FOR I/P and O/P IN RACK UNITS.

(REPLACES EXP. RELEASE SWITCH ASSY.
ON LATER MODELS)

 **AUDIO DESIGN RECORDING**

F760X
COMPLEX LIMITER
PEAK LIMITER - COMPRESSOR - EXPANDER/GATE MODULE

DATE - 25/11/74
DRAWN - R.H.
ISSUE - 1/B