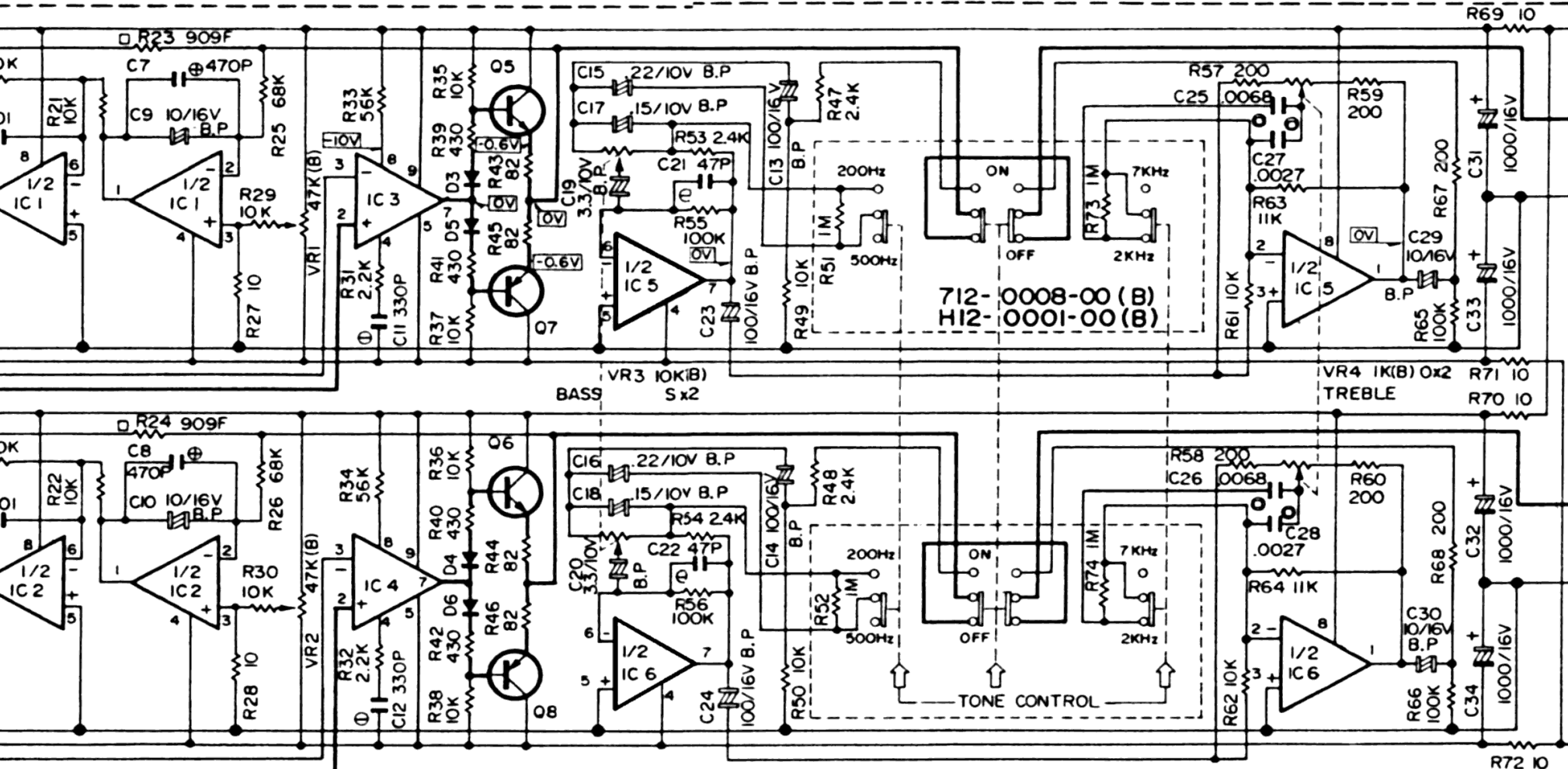


heavy lines on the schematics denote the signal path.
 pots denote the ground.
 mark of capacitors and resistors on the schematic are...
 CERAMIC CAPACITORS.
 MICA CAPACITORS.
 TANTALUM SOLID CAPACITORS.

- METALLIZED FILM CAPACITORS.
- ⊕ POLYSTYRENE FILM CAPACITORS.
- METALLIZED POLYESTER FILM CAPACITORS.
- ⦿ METALLIZED POLYCARBONATE FILM CAPACITORS.
- ⊖ METALLIZED POLYPROPYLENE FILM CAPACITORS.
- ★ OIL PAPER CAPACITORS

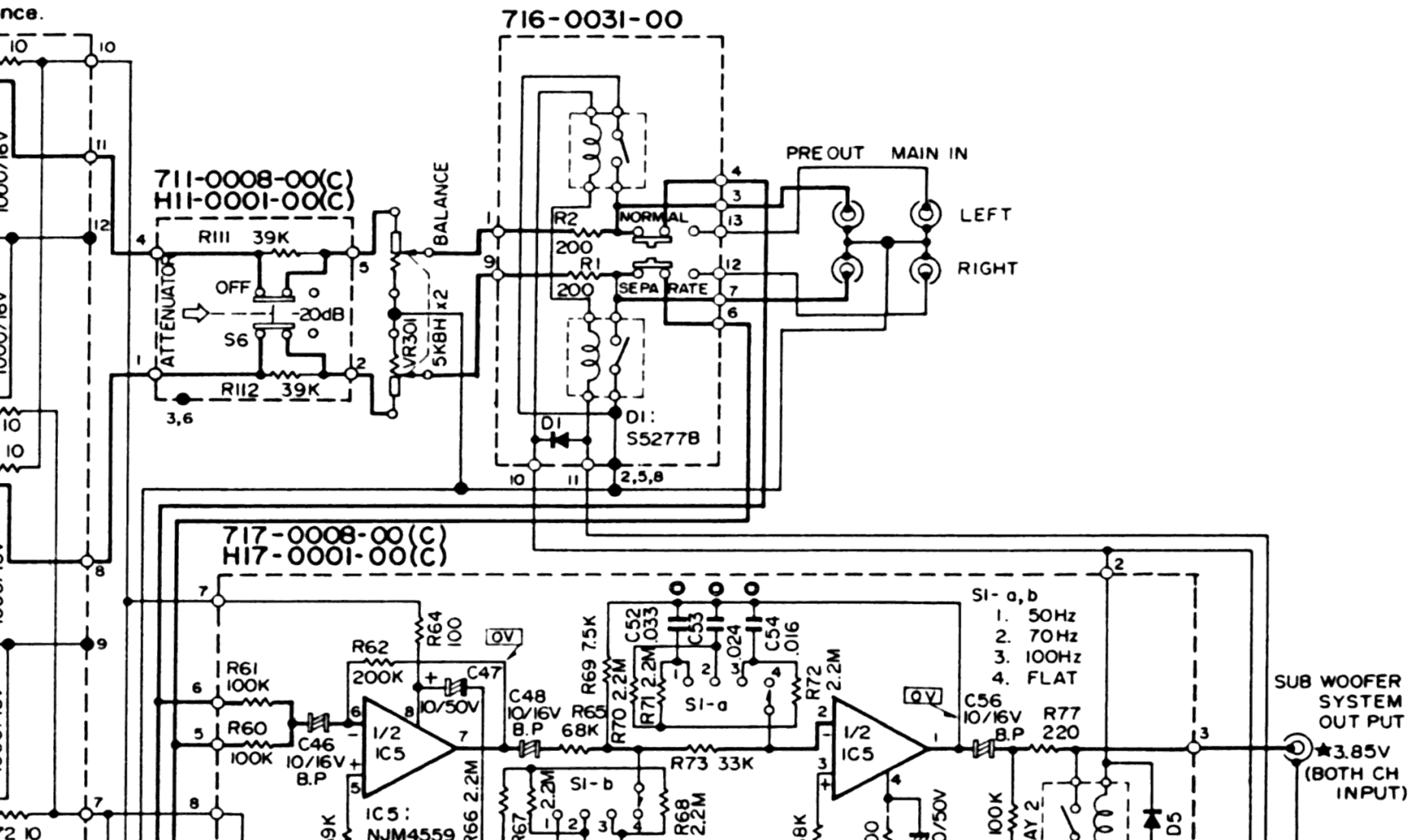
- METAL FILM RESISTORS.
 - OXIDE METAL FILM RESISTORS.
 - ▣ METAL PLATE RESISTORS.
- Unless otherwise specified : Cap
 Resistors are CARBON FILM ty
 1/4 watt and ±5% tolerance.

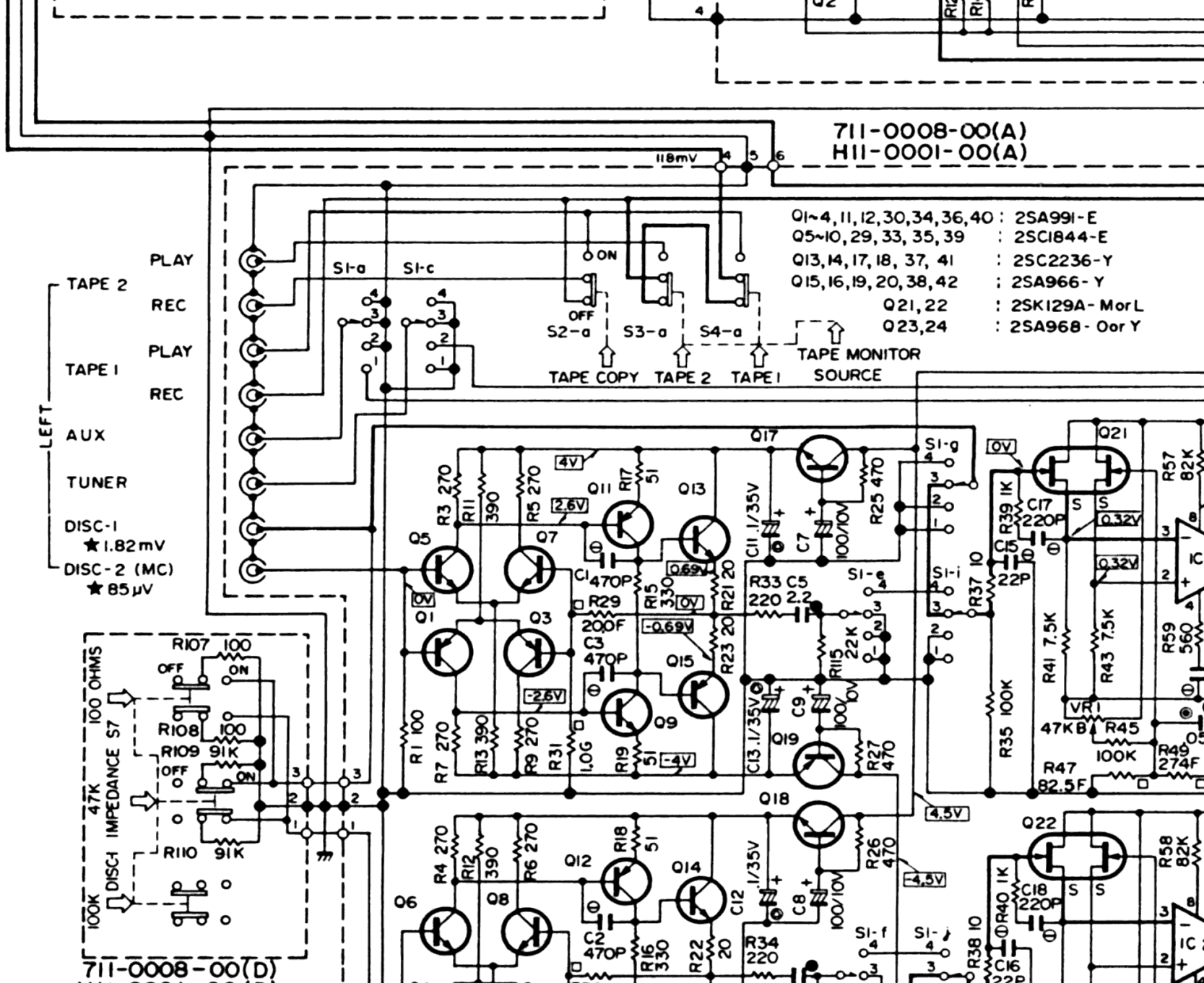


RESISTORS.
RESISTORS.

Capacitors are ELECTROLYTIC types,
M type
nce.

4. VOLTAGE : Operating with no input.
★ Indicates respective voltage reading when an input of 1kHz,
1.82mV is fed to "DISC 1"





711-0008-00(A)
H11-0001-00(A)

- Q1~4, 11, 12, 30, 34, 36, 40 : 2SA991-E
- Q5~10, 29, 33, 35, 39 : 2SC1844-E
- Q13, 14, 17, 18, 37, 41 : 2SC2236-Y
- Q15, 16, 19, 20, 38, 42 : 2SA966-Y
- Q21, 22 : 2SK129A-MorL
- Q23, 24 : 2SA968-OorY

LEFT

TAPE 2
REC
PLAY

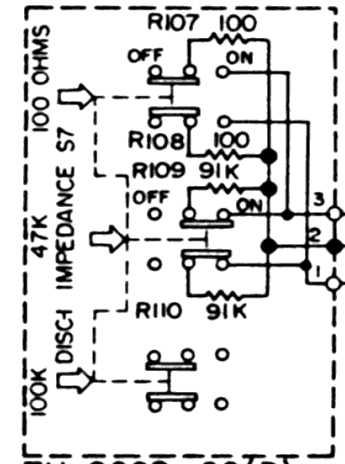
TAPE 1
PLAY
REC

AUX

TUNER

DISC-1
★ 1.82mV

DISC-2 (MC)
★ 85μV



118mv

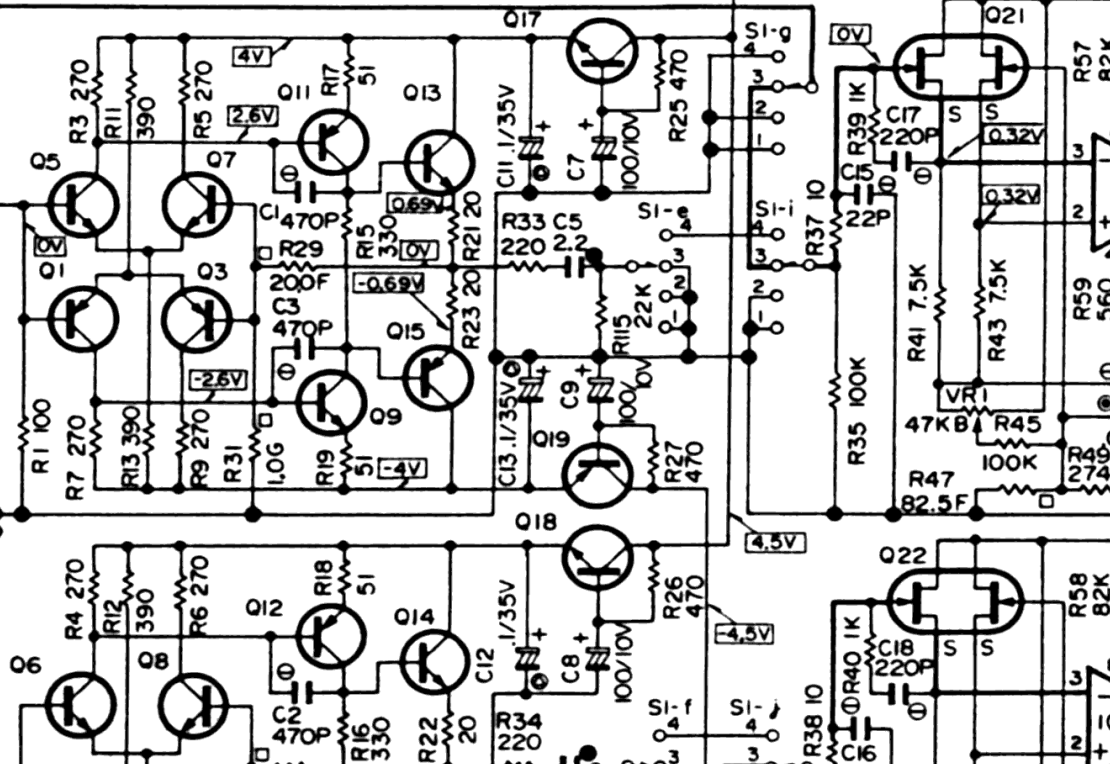
ON

OFF

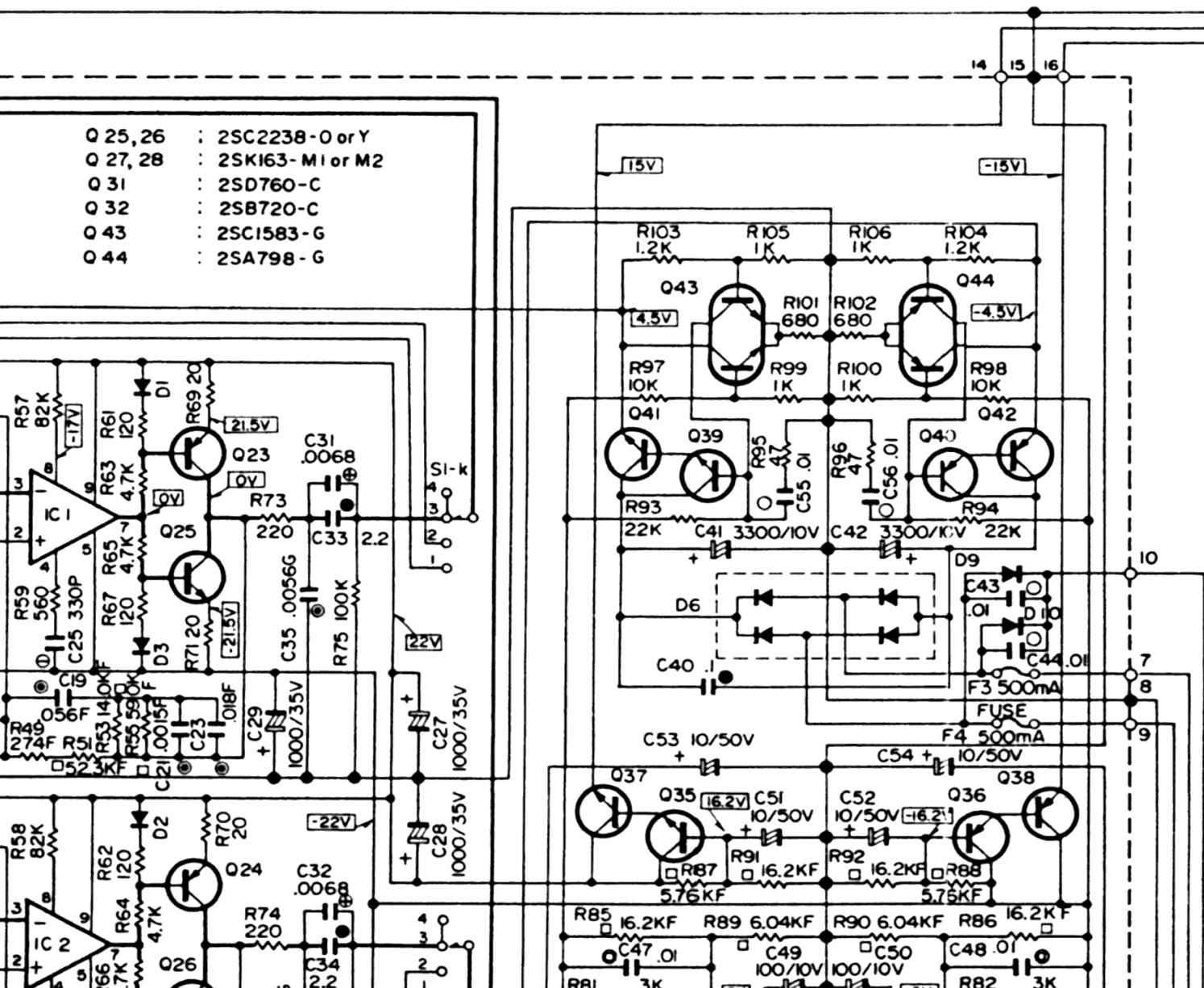
S2-a S3-a S4-a

TAPE COPY TAPE 2 TAPE 1

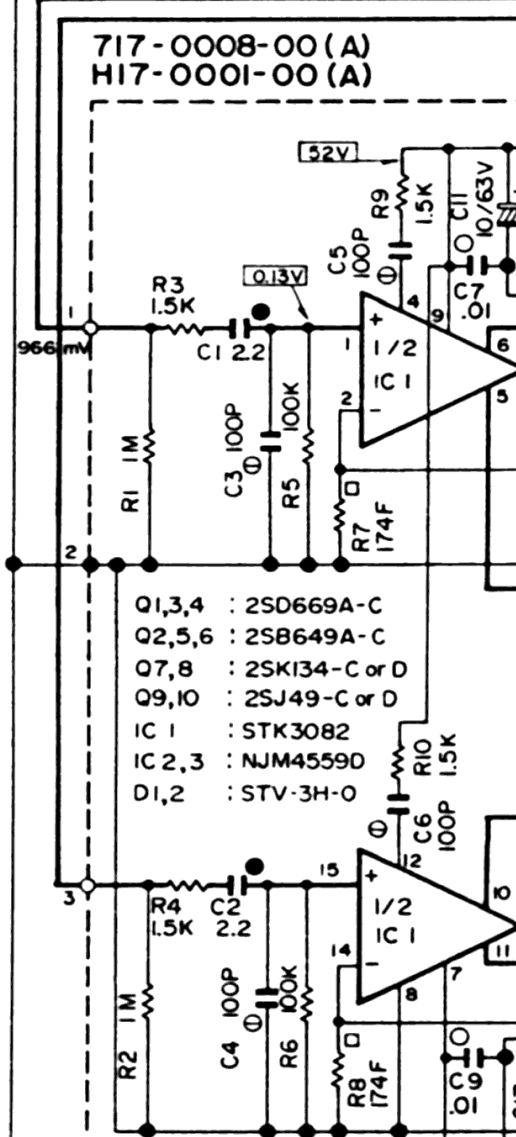
TAPE MONITOR SOURCE



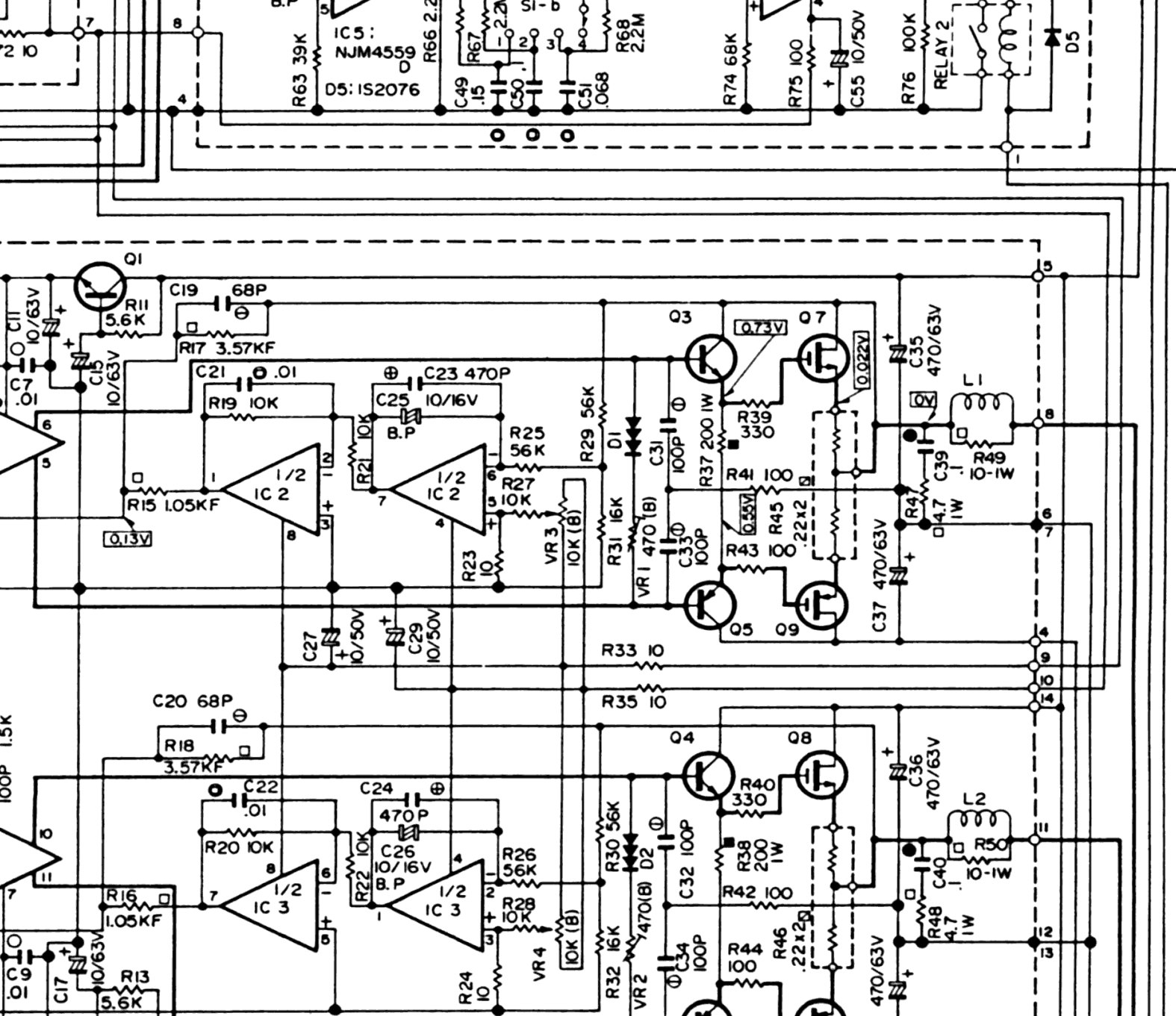
- Q 25, 26 : 2SC2238-O or Y
- Q 27, 28 : 2SK163-M1 or M2
- Q 31 : 2SD760-C
- Q 32 : 2SB720-C
- Q 43 : 2SC1583-G
- Q 44 : 2SA798-G



717-0008-00 (A)
H17-0001-00 (A)



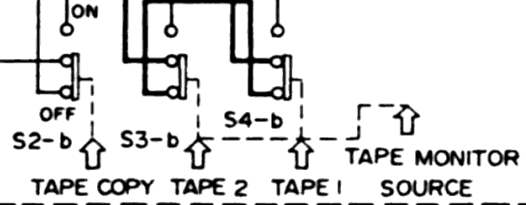
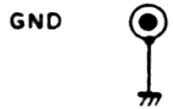
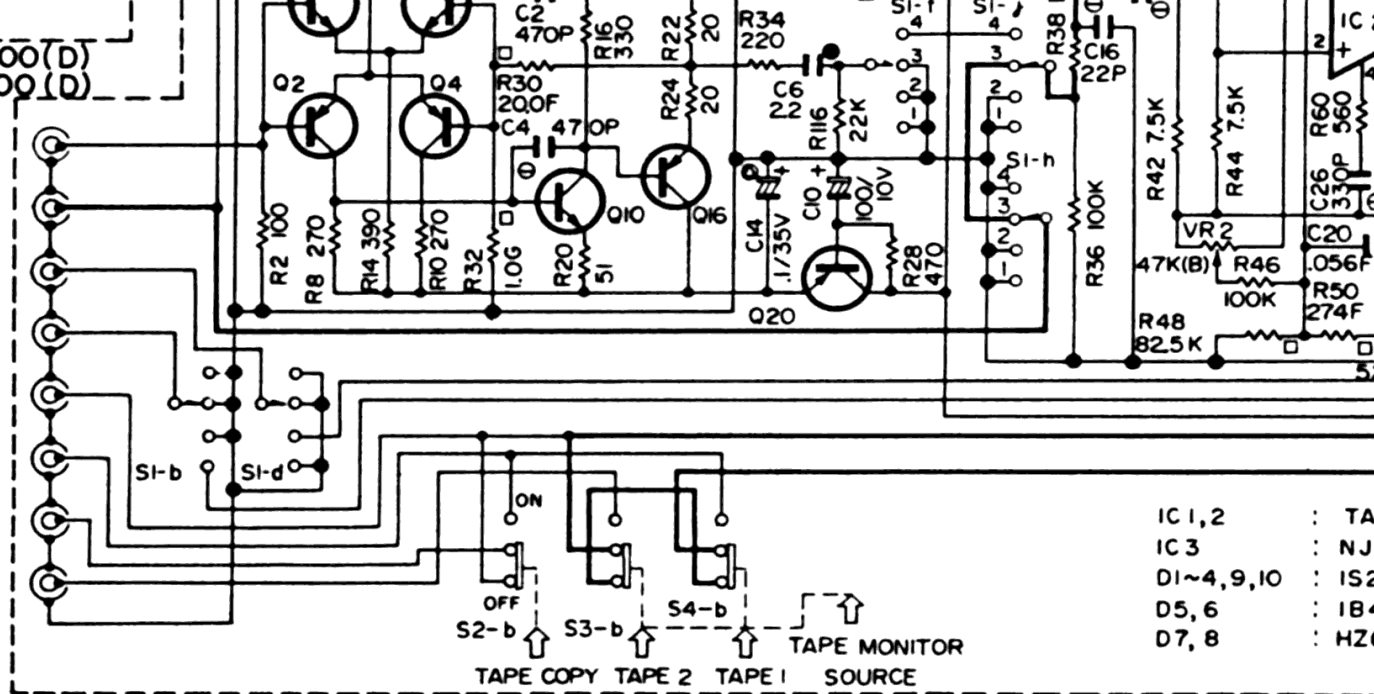
- Q1,3,4 : 2SD669A-C
- Q2,5,6 : 2SB649A-C
- Q7,8 : 2SK134-C or D
- Q9,10 : 2SJ49-C or D
- IC 1 : STK3082
- IC 2,3 : NJM4559D
- D1,2 : STV-3H-0



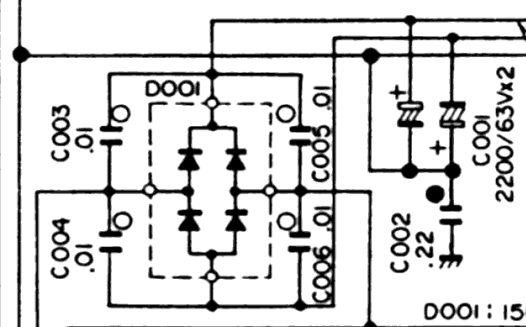
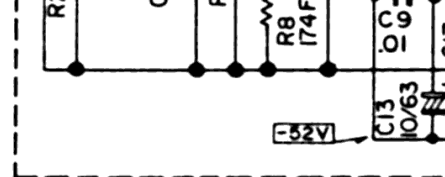
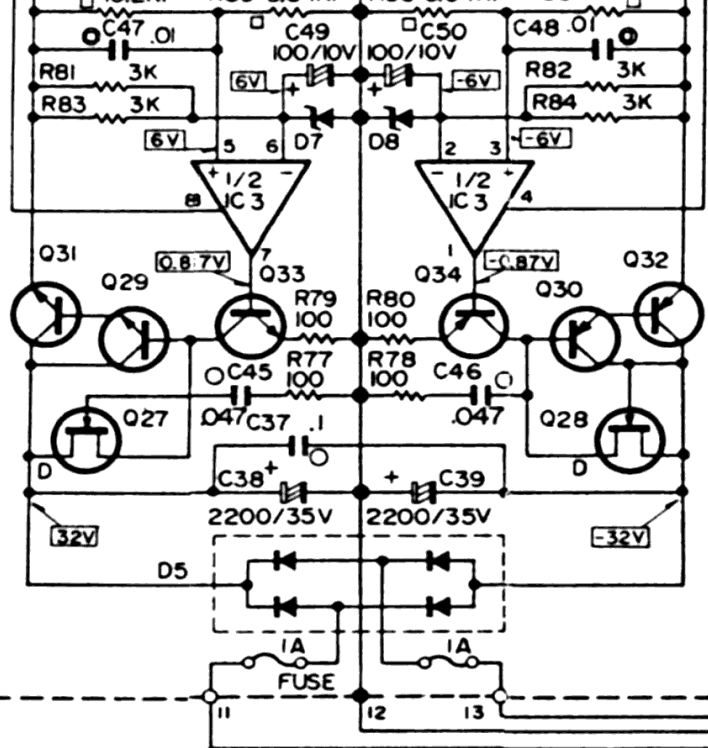
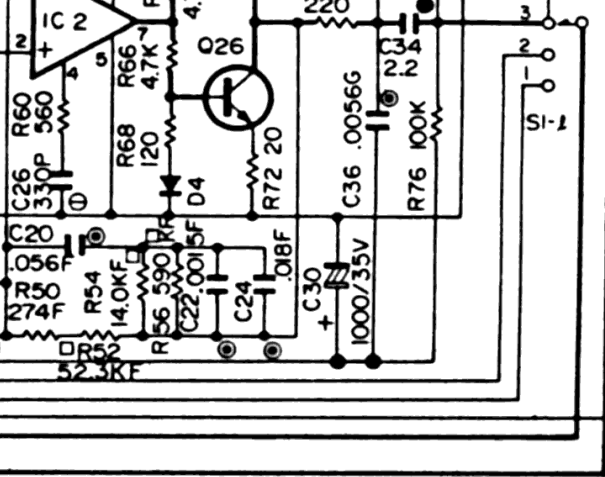
INPUT)

711-0008-00(D)
 H11-0001-00(D)

RIGHT
 DISC-2 (MC)
 DISC-1
 TUNER
 AUX
 TAPE 1 REC
 TAPE 1 PLAY
 TAPE 2 REC
 TAPE 2 PLAY



IC 1,2 : TA
 IC 3 : NJ
 D1~4,9,10 : IS2
 D5,6 : IB4
 D7,8 : HZ



- : TA7322P
 - : NJM4559D
 - : IS2076
 - : 1B4B41
 - : HZ6C-1
- SI-a~l, S5
1. AUX
 2. TUNER
 3. DISC-1
 4. DISC-2

