

P-11 SCHEMATIC DIAGRAM

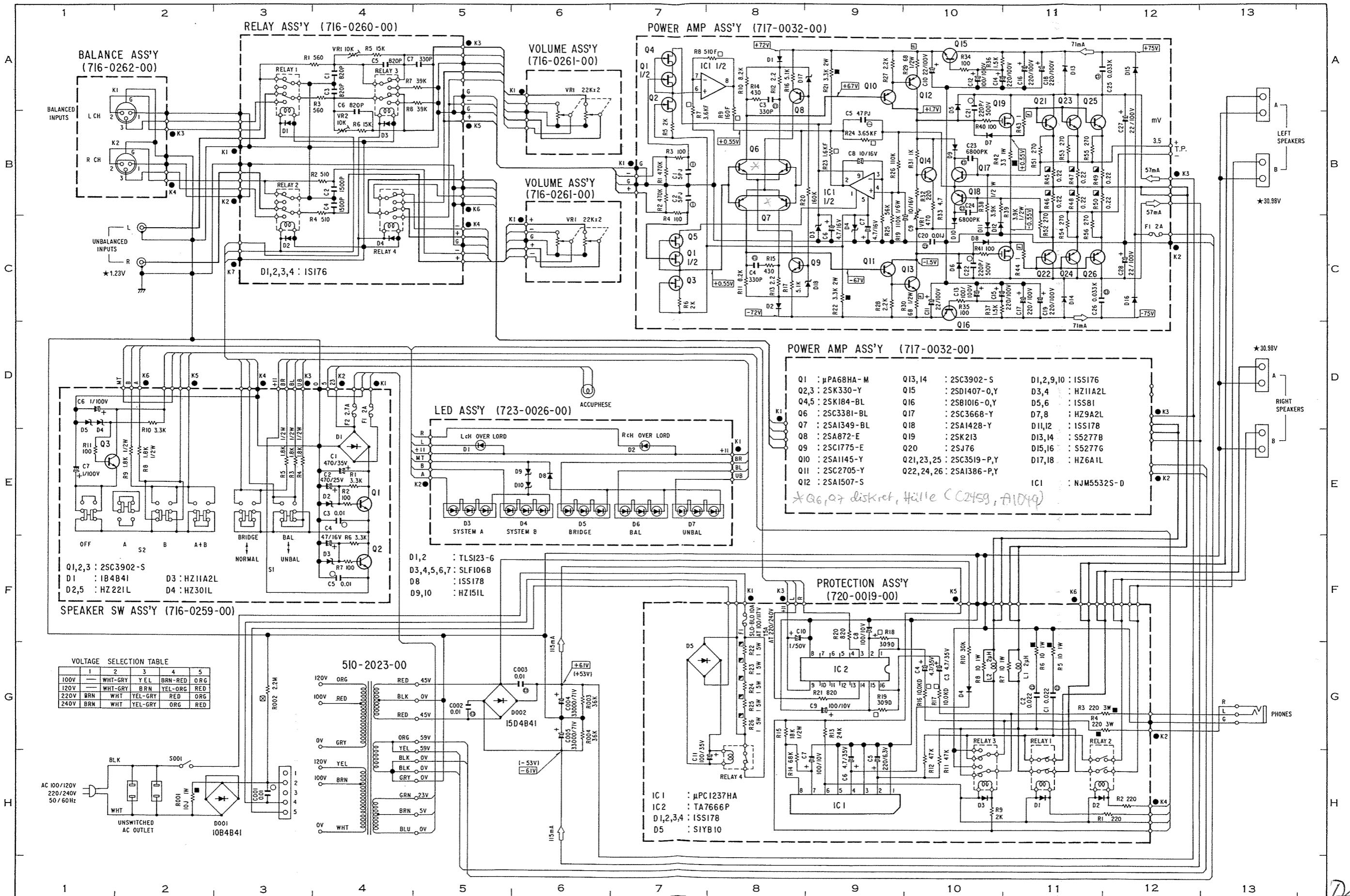
NOTES

- The heavy lines on the schematic denote signal path.
- Big spots denote the ground.
- The mark of capacitors and resistors on the schematic are:
 - CERAMIC CAPACITORS
 - MICA CAPACITORS
 - TANTALUM SOLID CAPACITORS

- METALLIZED FILM CAPACITORS.
- POLYSTYRENE FILM CAPACITORS.
- METALLIZED POLYESTER FILM CAPACITORS.
- METALLIZED POLYPROPYLENE FILM CAPACITORS.
- WIRE WOUND RESISTORS.
- SOLID RESISTORS.

- FUSE RESISTOR.
- METAL FILM RESISTORS.
- OXIDE METAL FILM RESISTORS.
- METAL PLATE RESISTORS.
- Unless otherwise specified: Capacitors are ELECTROLYTIC types. Resistors are CARBON FILM types. 1/4 watt and $\pm 5\%$ tolerance.

- VOLTAGE:
 - ★ Signal Source Voltage.
 - Operating with no input
- CURRENT:
 - Operating with no input



Accuphase P11