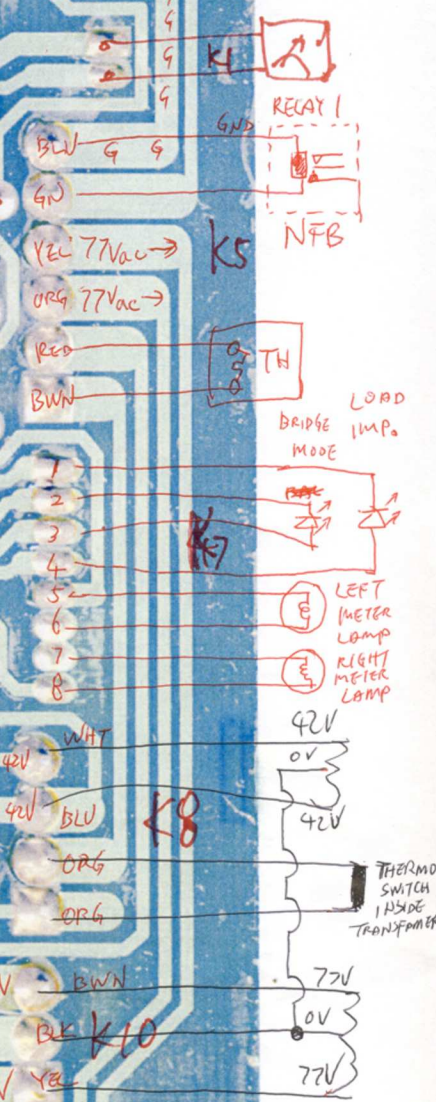
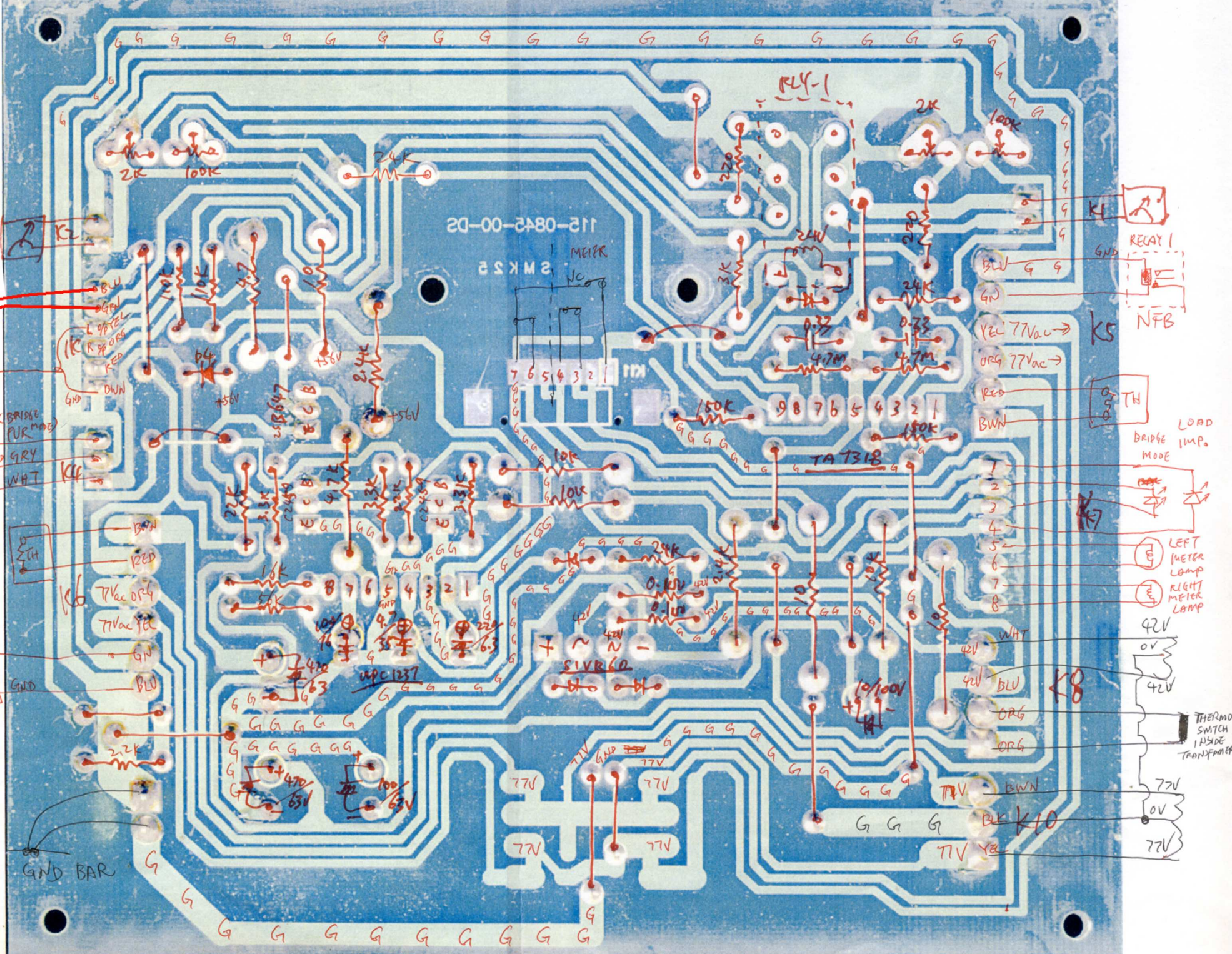
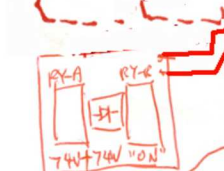
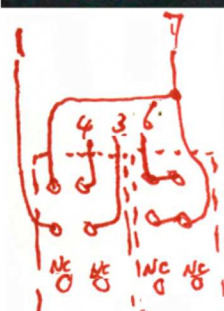
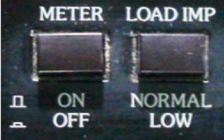
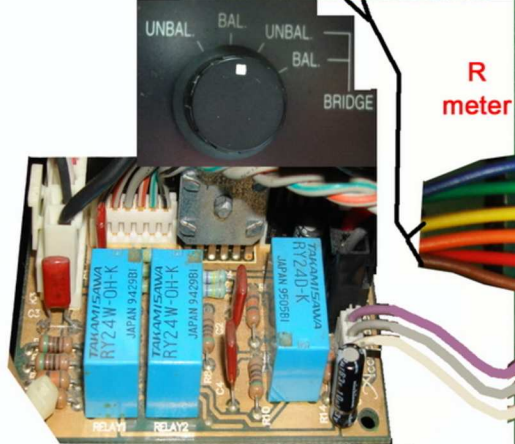
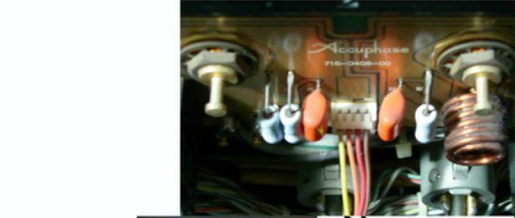


Meter PCB



Accuphase

720-0031-00

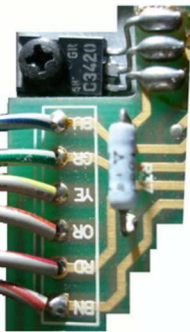
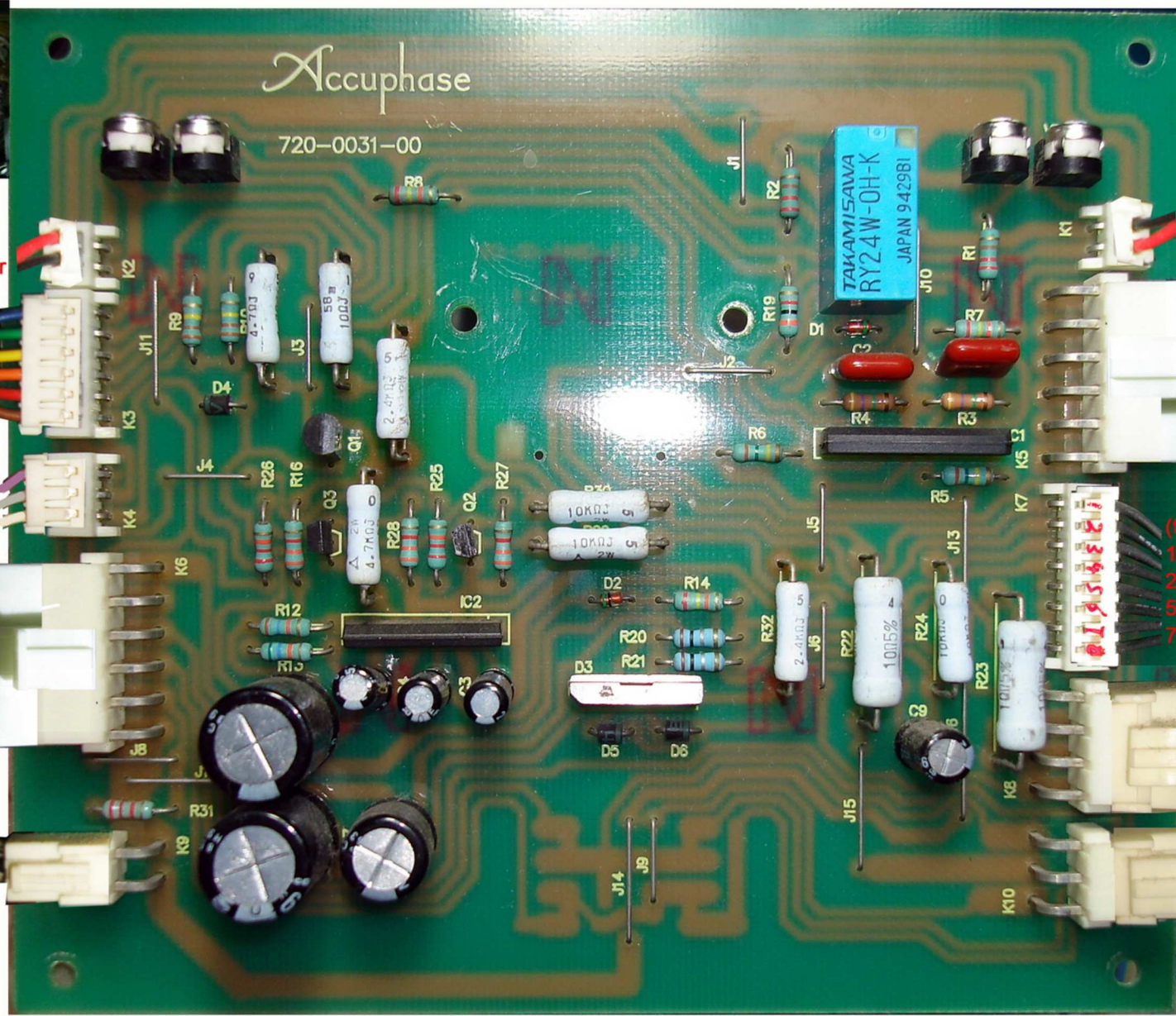


Inout Selection

R meter

L meter

- (to Front Panel)
- 1, 4 Load impedance lamp
 - 2, 3 Bridge Mode lamp
 - 5, 6 left meter lamp
 - 7, 8, Right meter lamp



C 3265 X12

A15

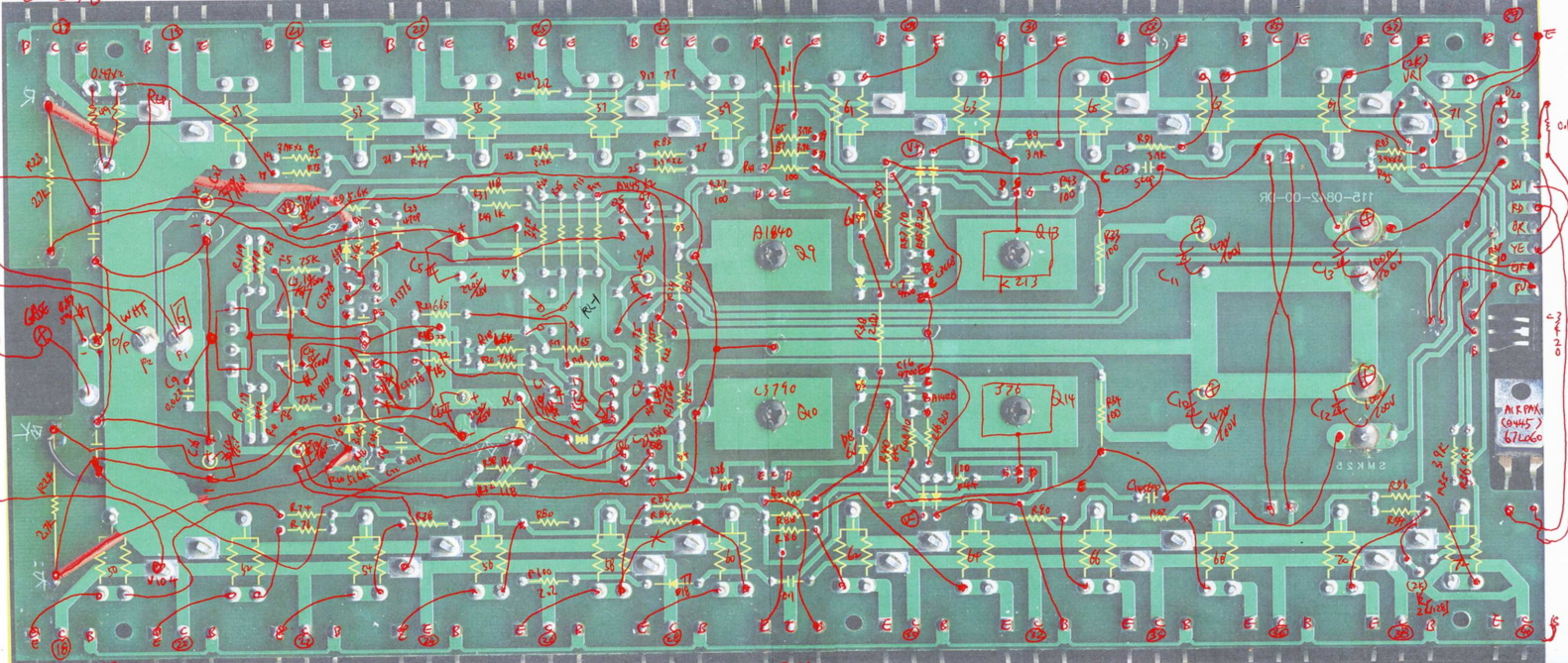
VT

G

0/V

CRSE

V-



A1744 V 1.3

A11

MKPMX
(0445)
67260

115-0845-00-DK

376
Q14

A1840
Q9

C3790
Q10

2MK52

01X2

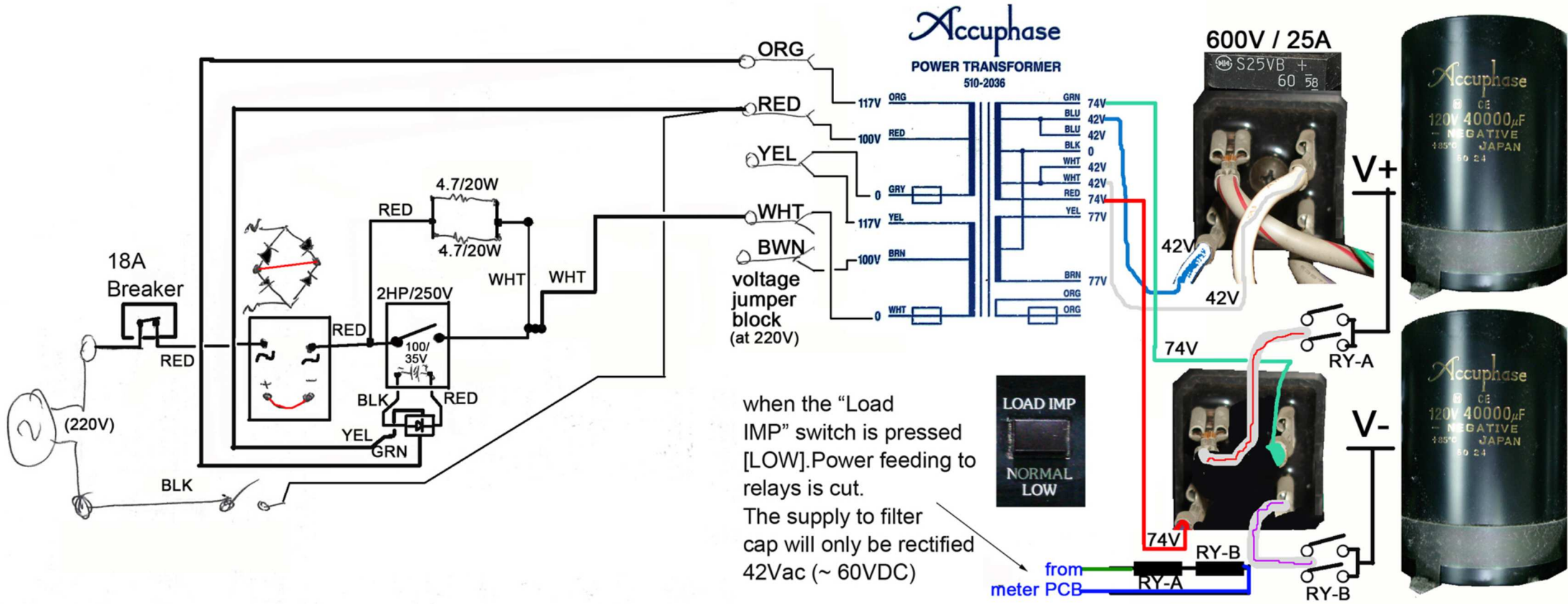
01X2

01X2

01X2

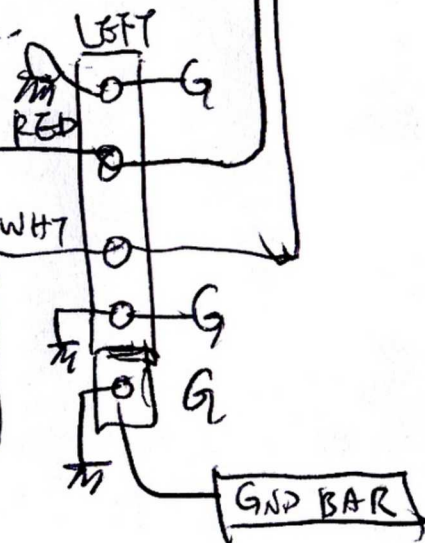
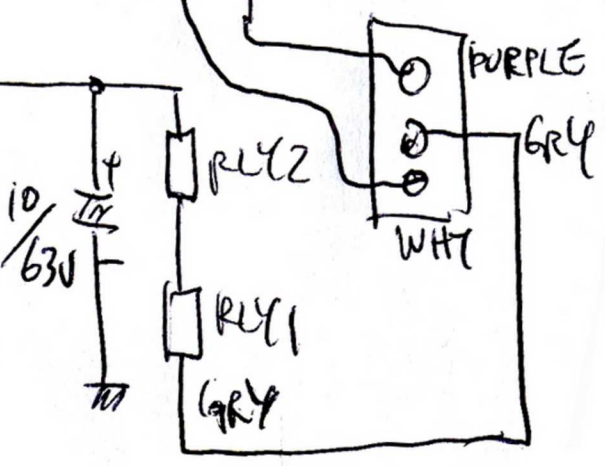
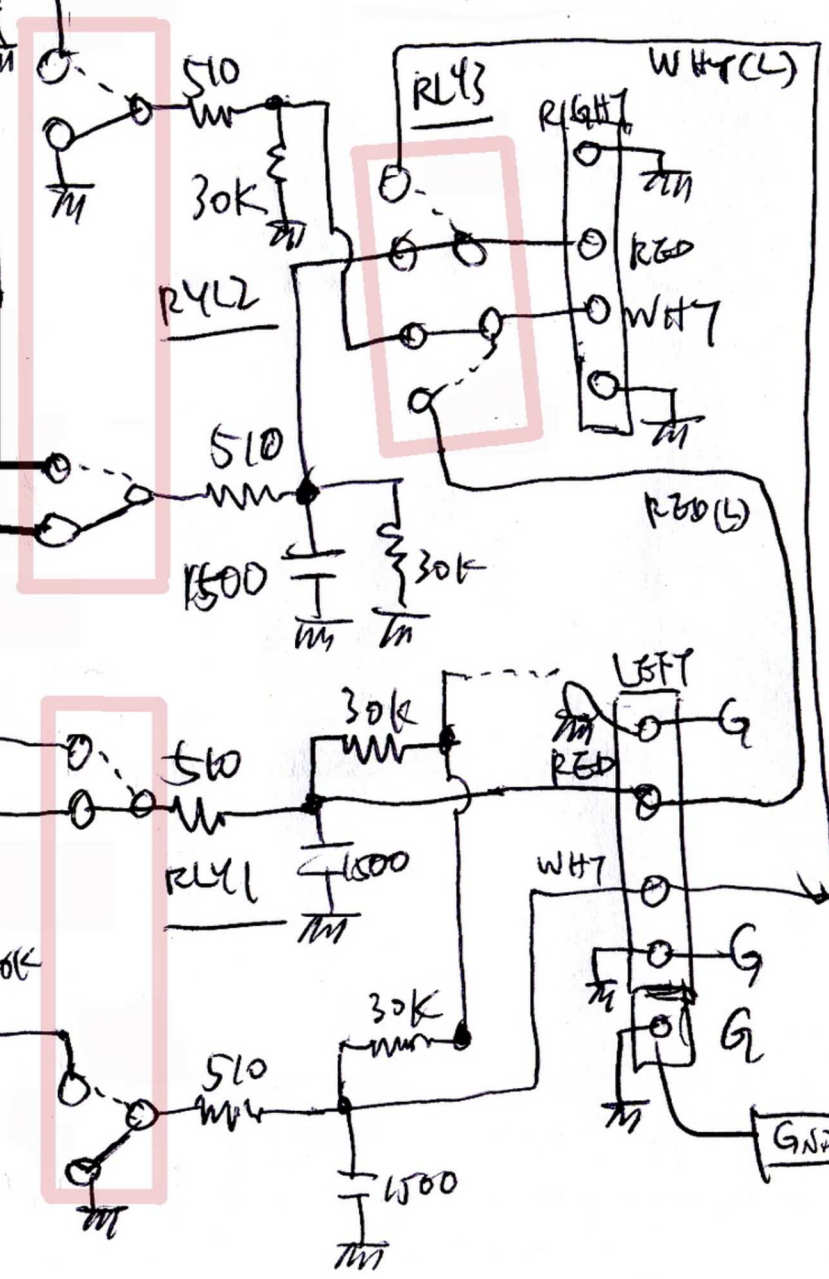
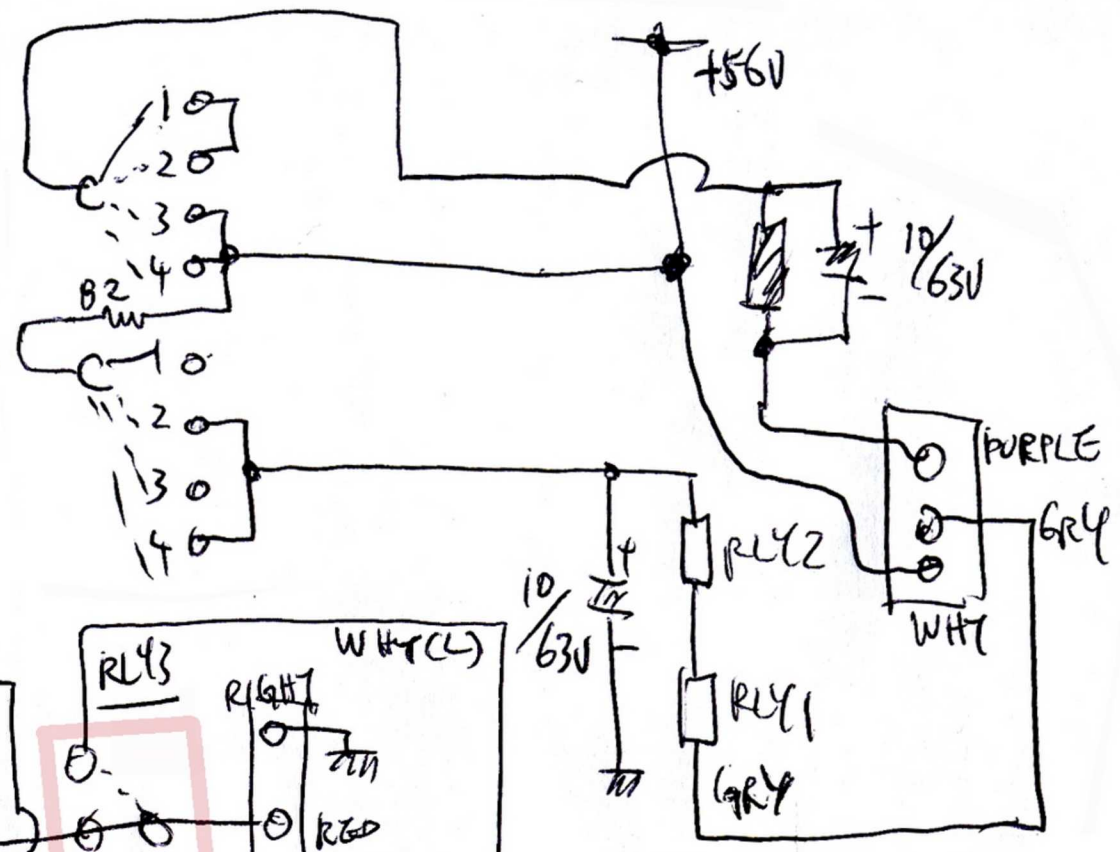
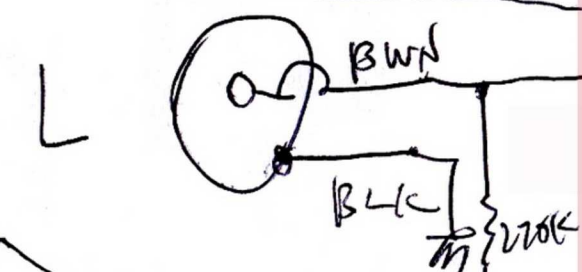
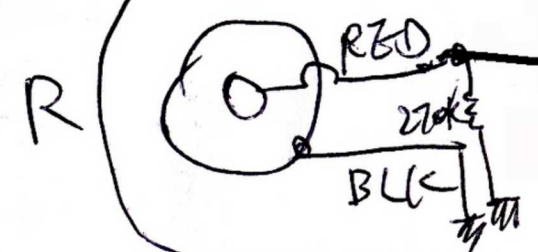
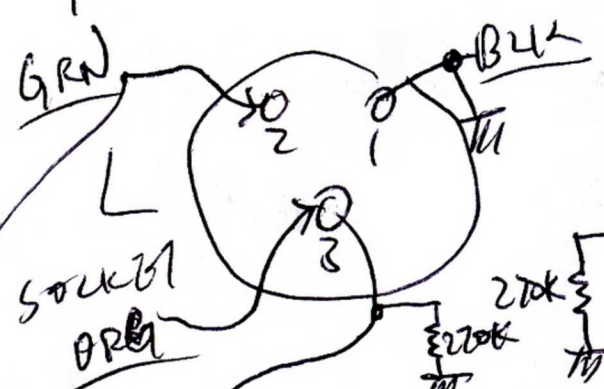
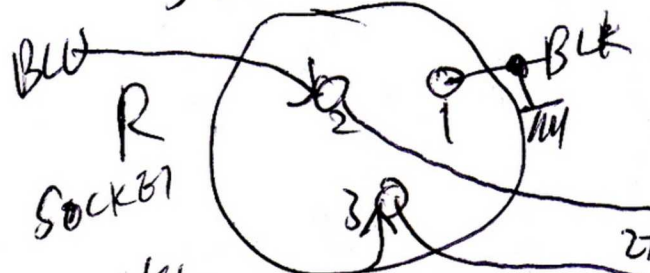
01X2

01X2



1 = GND
 2 = (-)
 3 = (+)

- 1. UNBAL
- 2. BAL
- 3. B-UNBAL
- 4. B-BAL



GND BAR

