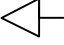

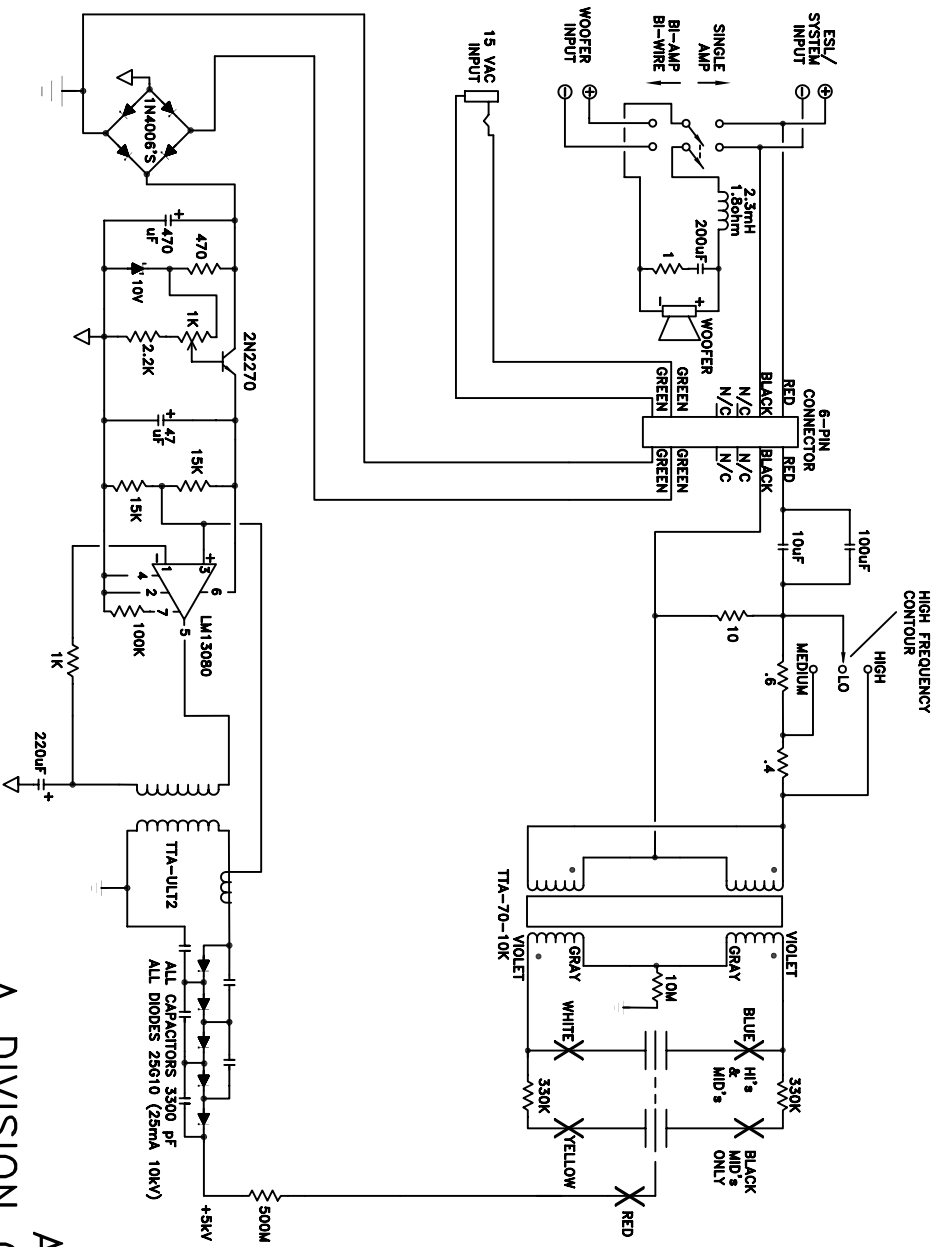


NOTES: UNLESS OTHERWISE SPECIFIED

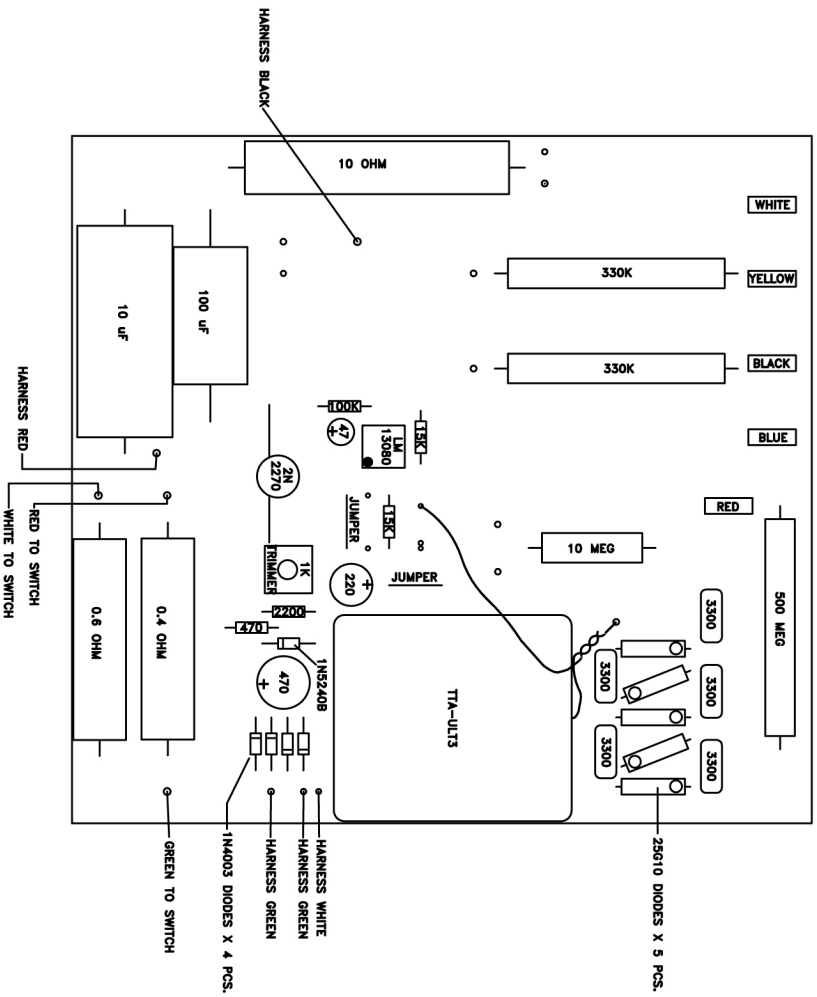
- 1: ALL RESISTORS ARE OHMS
- 2:  = LOW VOLTAGE GROUND
- 3:  = HIGH VOLTAGE GROUND

MAGNE-KINETIC INTERFACE FOR SPECTRA 1100

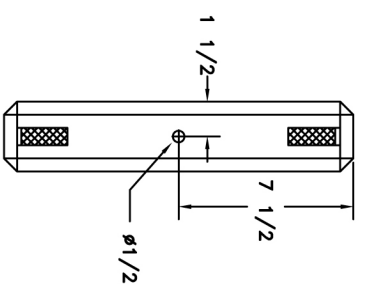
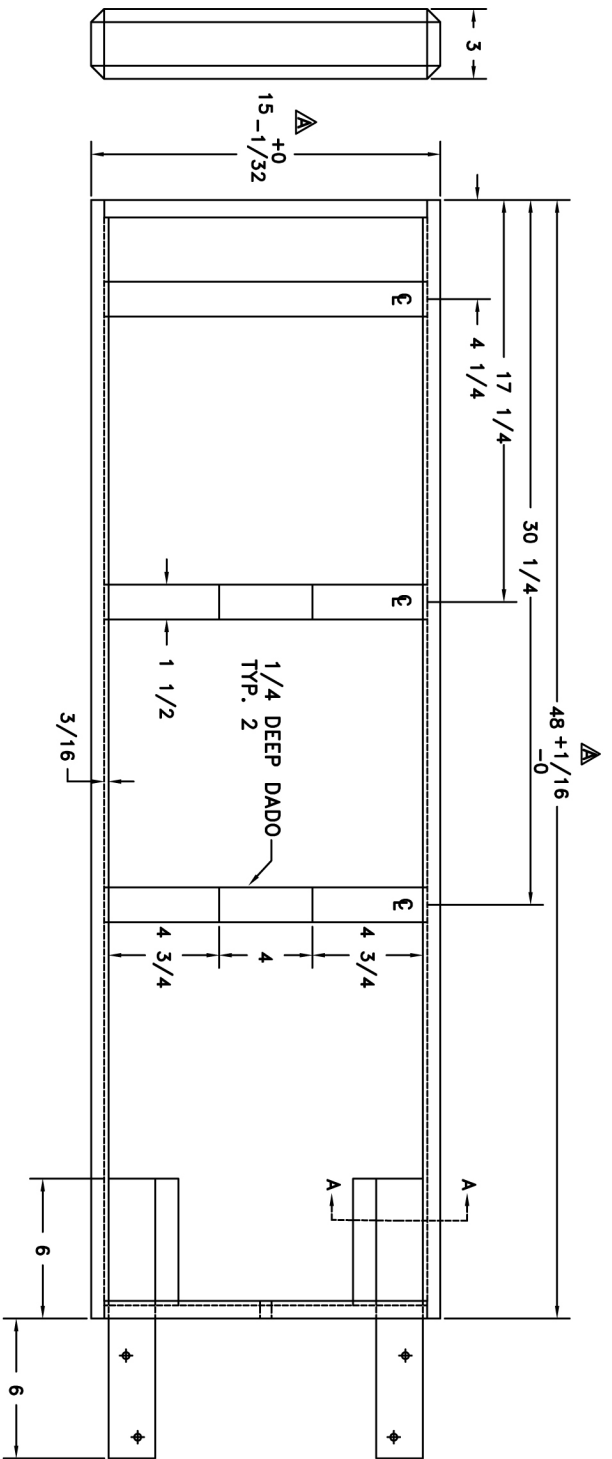


REVISIONS:
1. 5/29/91: UPDATED BIAS SUPPLY

ACOUSTAT
A DIVISION OF ROCKFORD CORP.
TEMPE, AZ., 85281, USA

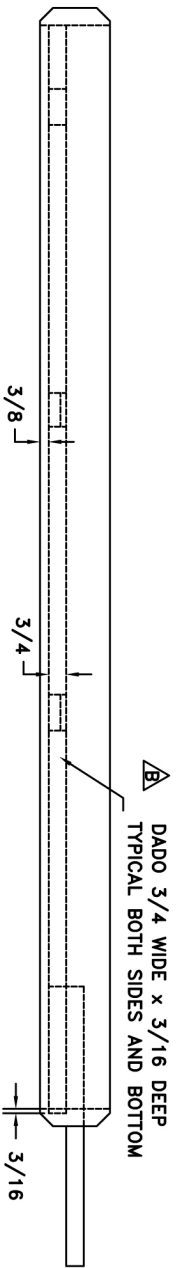


ACOUSTAT
 A DIVISION OF ROCKFORD CORPORATION
 SPECTRA 1100 PC LAYOUT

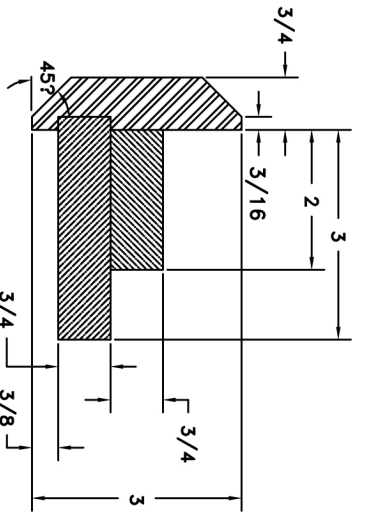


NOTES:

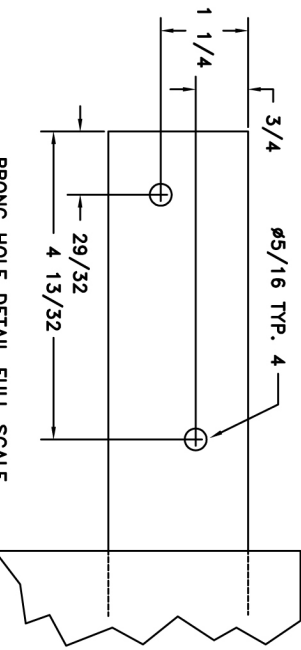
1. ALL DIMENSIONS IN INCHES
2. PROTRUDING PORTION OF PRONGS TO BE PAINTED BLACK



DADO 3/4 WIDE x 3/16 DEEP
TYPICAL BOTH SIDES AND BOTTOM



SECTION A-A FULL SCALE



PRONG HOLE DETAIL FULL SCALE
LEFT PRONG SHOWN
RIGHT PRONG IS MIRROR IMAGE

HOLE POSITION TOLERANCE +/- 1/32

REVISIONS:

- 9/25/90
- A. ADD TOLERANCES TO OVERALL SIZE
- B. ADD DADO DETAIL TO SIDES AND BOTTOM
- C. ALL MATERIAL NOW 3/4 MDF
- D. ADD TOLERANCES ON HOLE POSITIONS

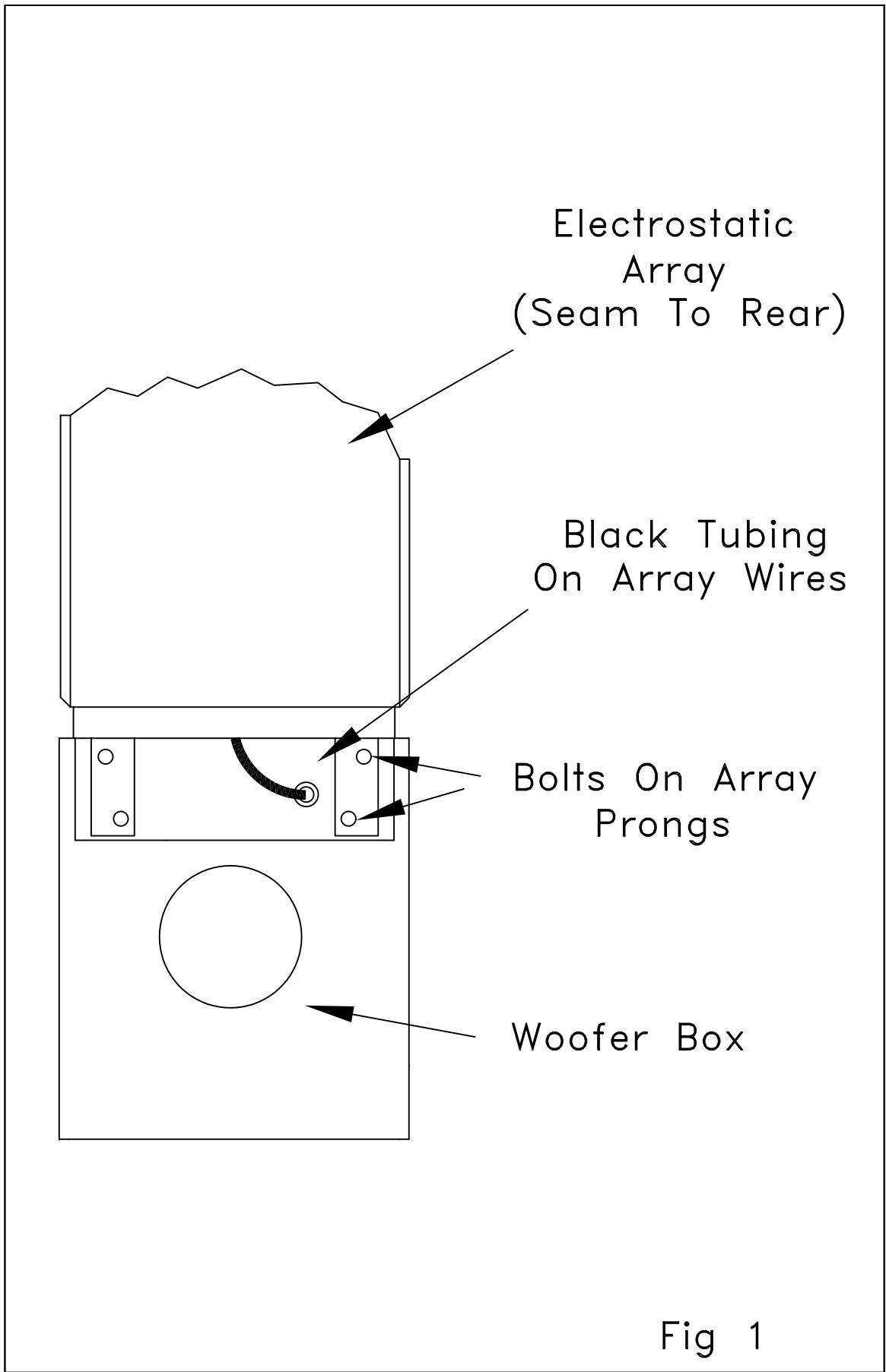
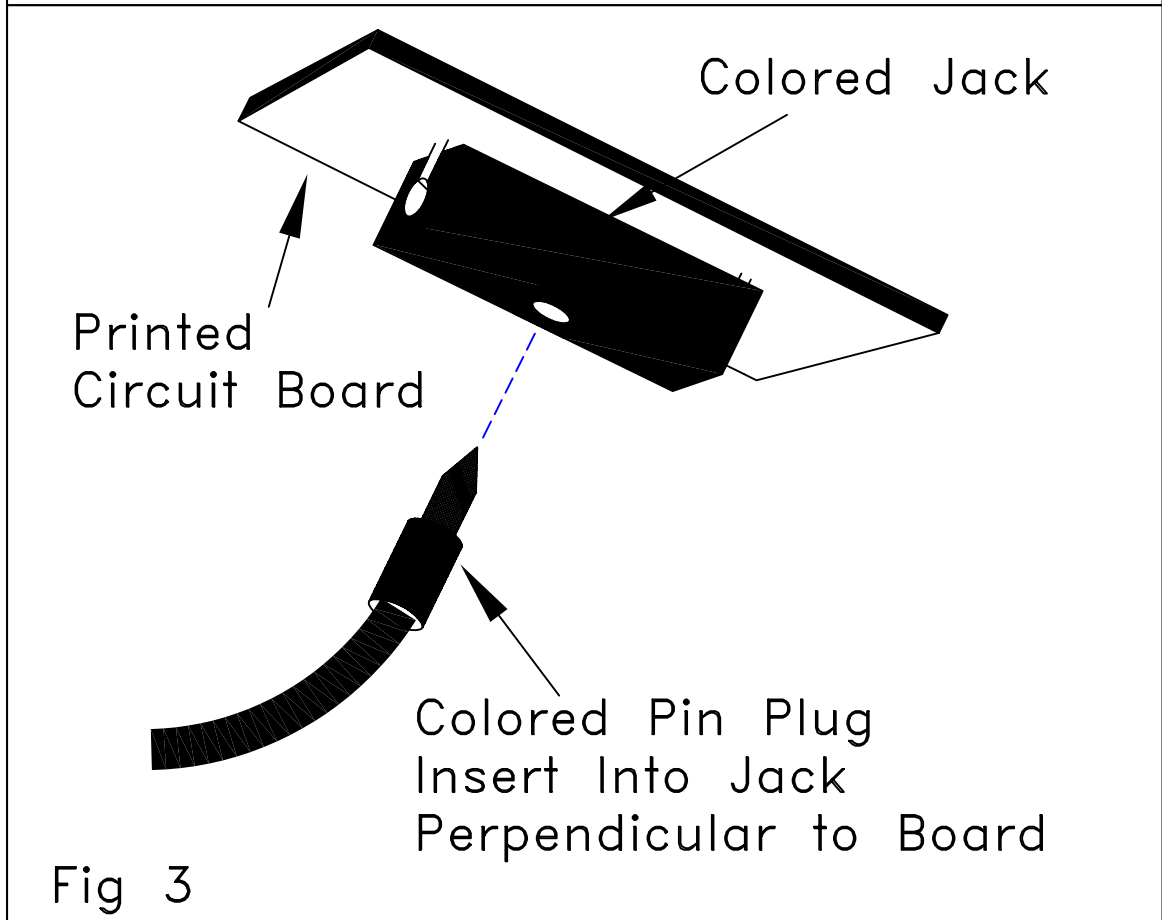
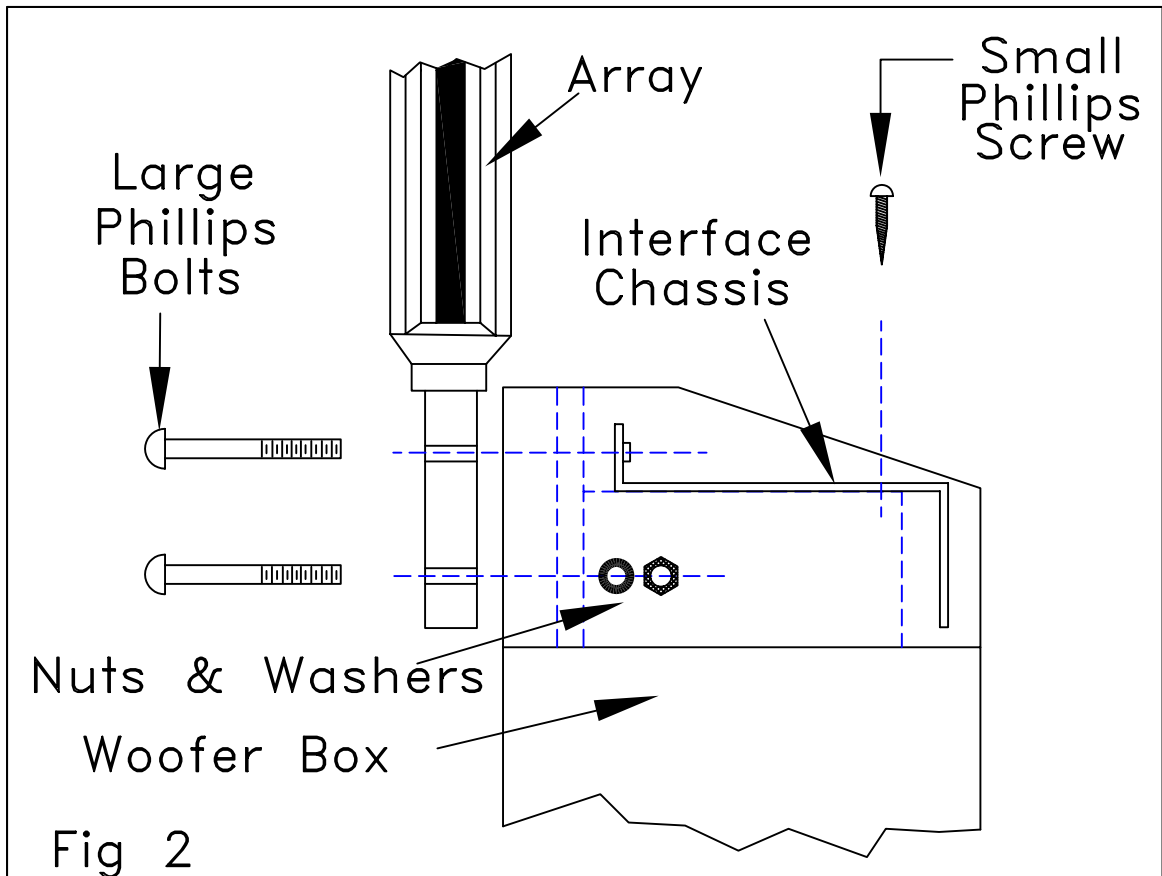


Fig 1



STANDARD CONNECTION
SWITCH TO "SINGLE AMP"

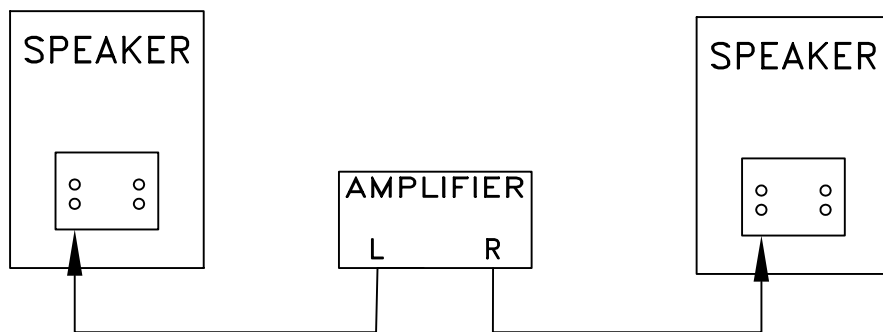


Fig. 4

BI-WIRE CONNECTION
SWITCH TO "BI-AMP/BI-WIRE"

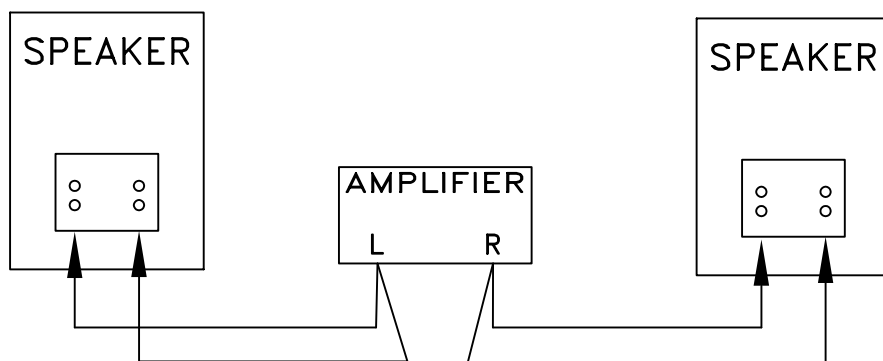


Fig. 5

BI-AMP CONNECTION
SWITCH TO "BI-AMP/BI-WIRE"

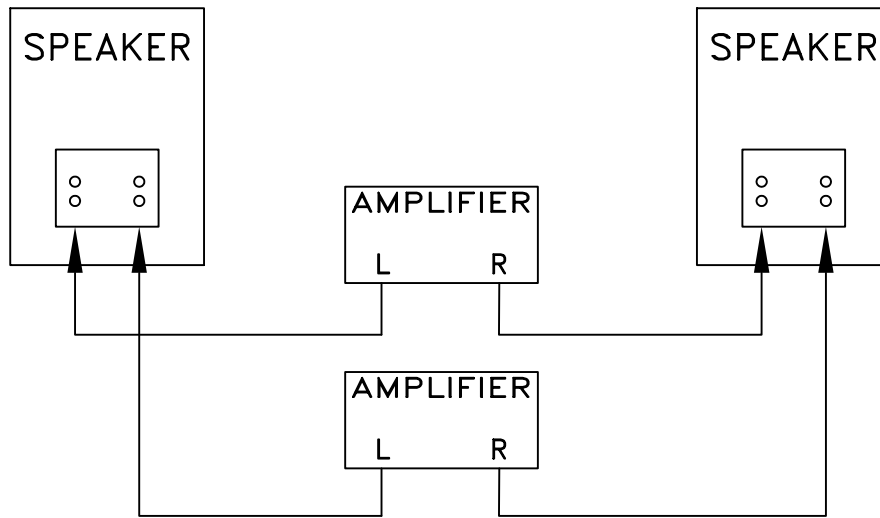


Fig. 6

ALTERNATE BI-AMP CONNECTION
SWITCH TO "BI-AMP/BI-WIRE"

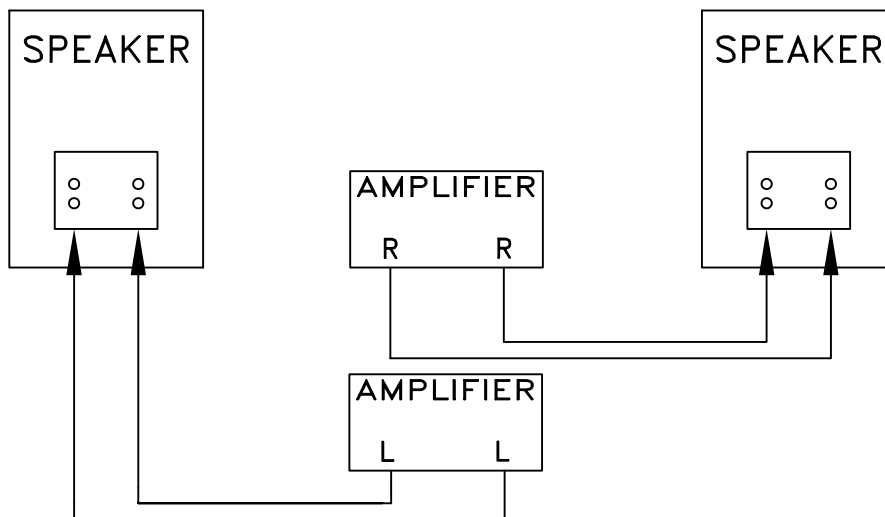


Fig. 7