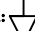
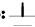


NOTES: UNLESS OTHERWISE SPECIFIED

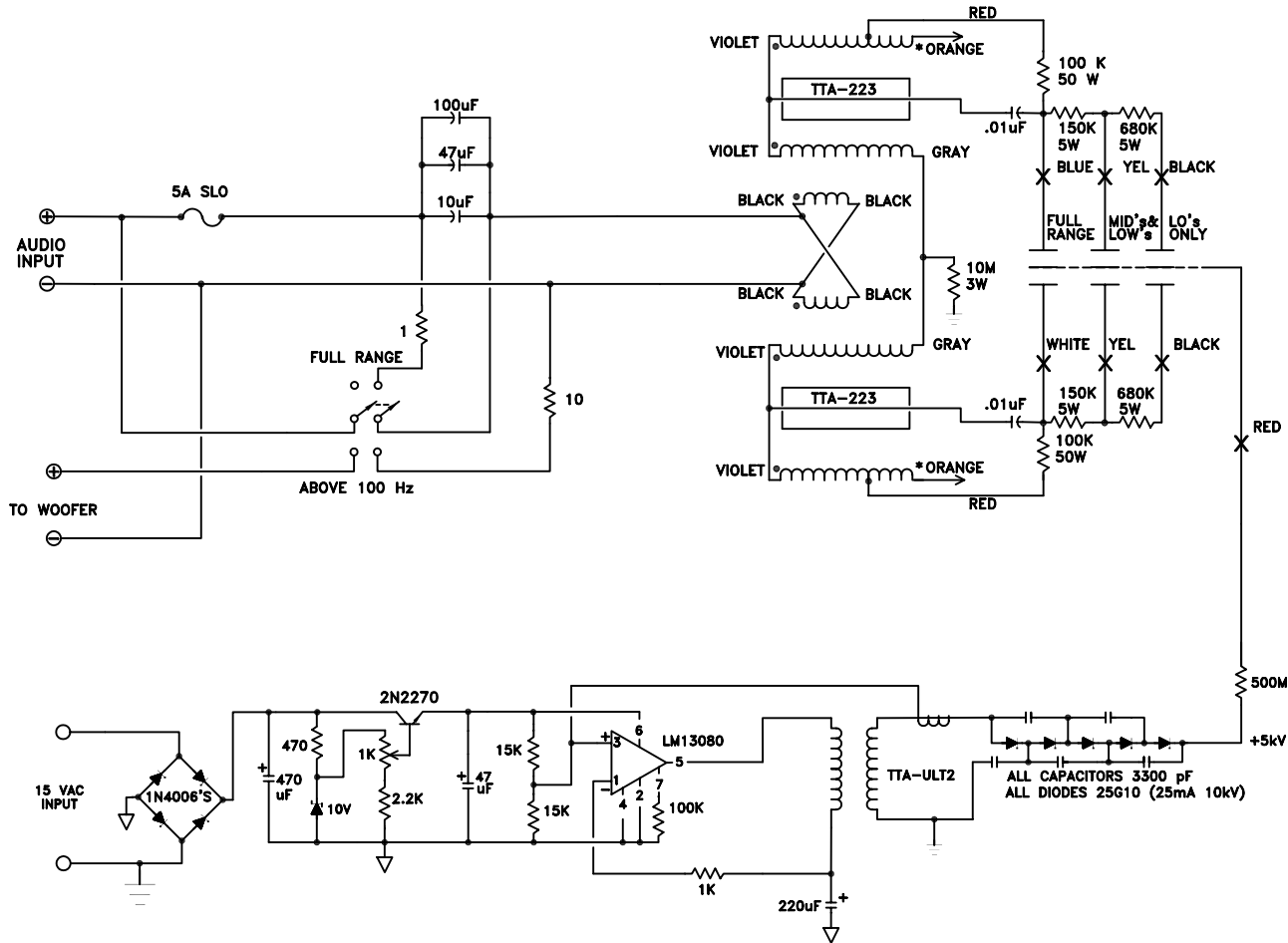
1: ALL RESISTORS ARE OHMS

2:  = LOW VOLTAGE GROUND

3:  = HIGH VOLTAGE GROUND

4: * = TRANSFORMER TAP
 RED FOR SPECTRA 2200
 ORANGE FOR SPECTRA 3300

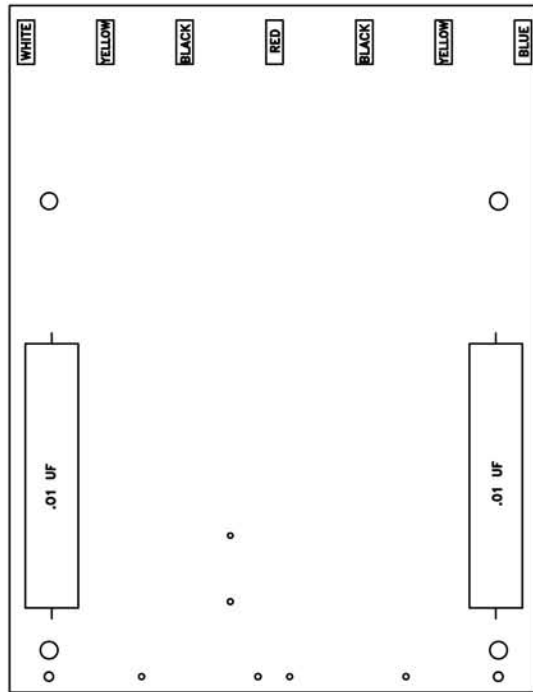
MK-2123 MAGNE-KINETIC INTERFACE FOR SPECTRA 2200/3300



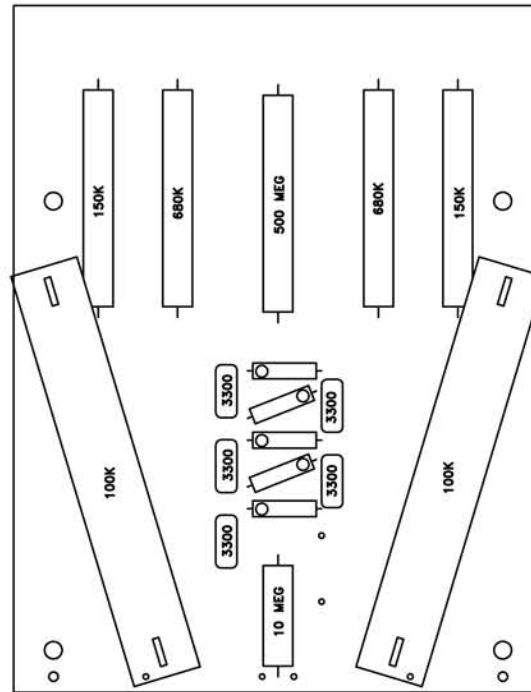
REVISIONS:

1. 5/29/91: UPDATED BIAS SUPPLY

ACOUSTAT
 A DIVISION OF ROCKFORD CORP.
 TEMPE, AZ., 85281, USA



SOLDER SIDE

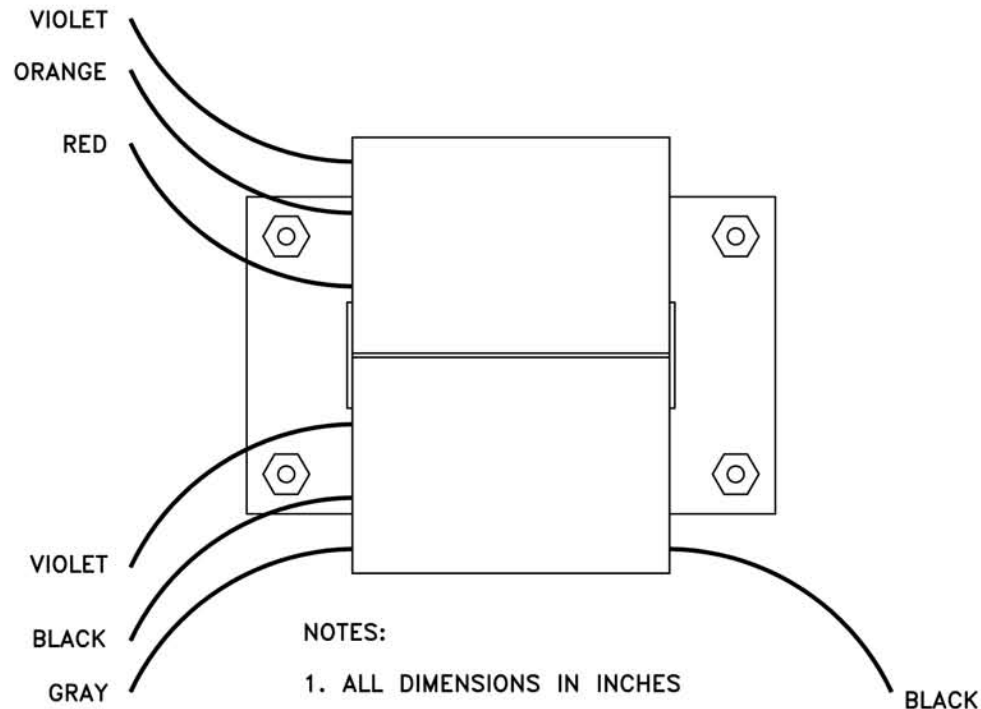
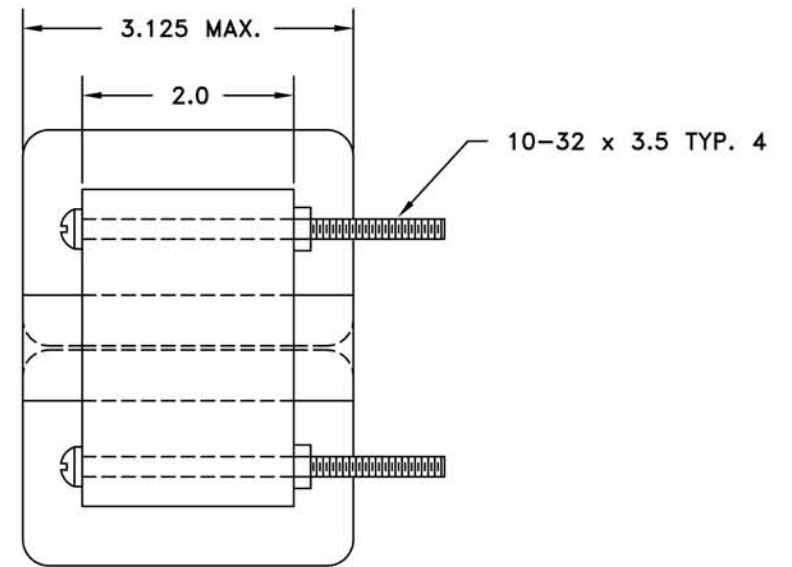
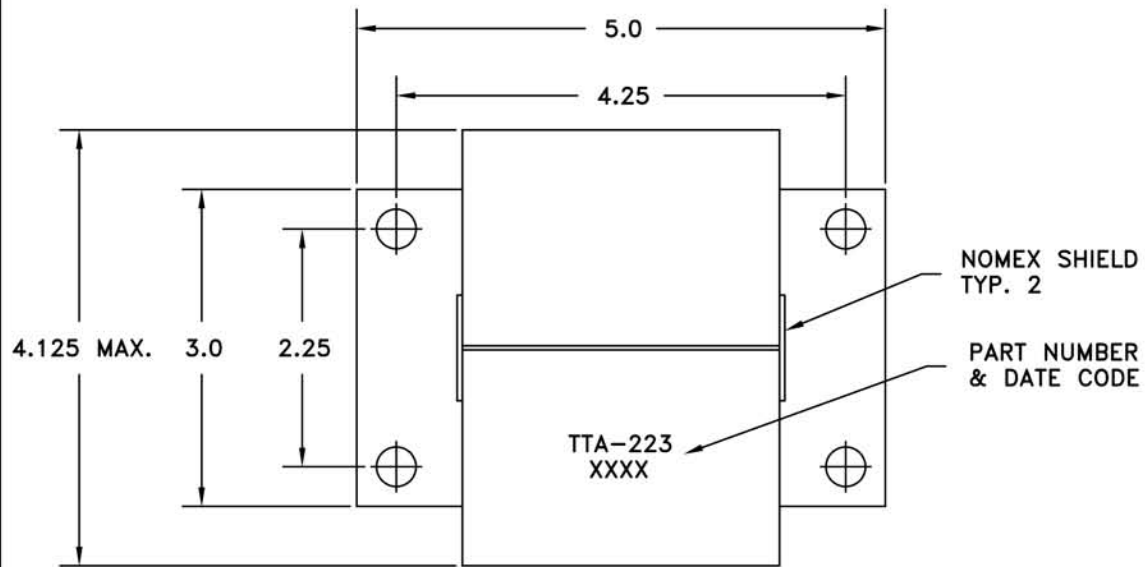


COMPONENT SIDE

ACOUSTAT
A DIVISION OF ROCKFORD CORPORATION

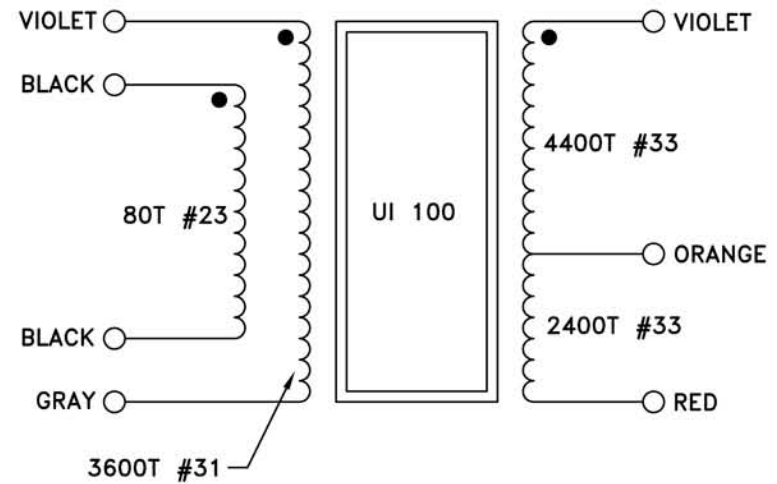
2200/3300 PC LAYOUT

ANY TECHNICAL QUESTIONS REGARDING
THIS PRINT SHOULD BE REFERRED TO
ANDY SZABO (602)967-3565 EXT. 3036



NOTES:

1. ALL DIMENSIONS IN INCHES
2. 3 MIL NOMEX INSULATION
3. 6 KV HIGH POT TEST
4. ALL LEADS 20 GA. TEFLON, 14" LONG INCLUDING 1/2" STRIP



ACOUSTAT
A DIVISION OF ROCKFORD CORPORATION
2200/3300 TRANSFORMER

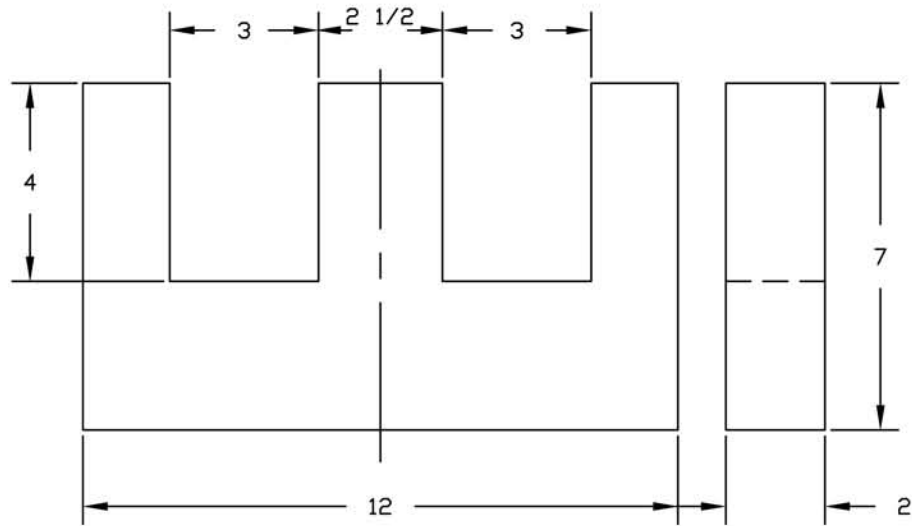
FILENAME: C:\ACAD\22003300\TTA223
ANY TECHNICAL QUESTIONS REGARDING
THIS PRINT SHOULD BE REFERRED TO
ANDY SZABO (602)967-3565 EXT. 3036

NOTES: UNLESS OTHERWISE SPECIFIED

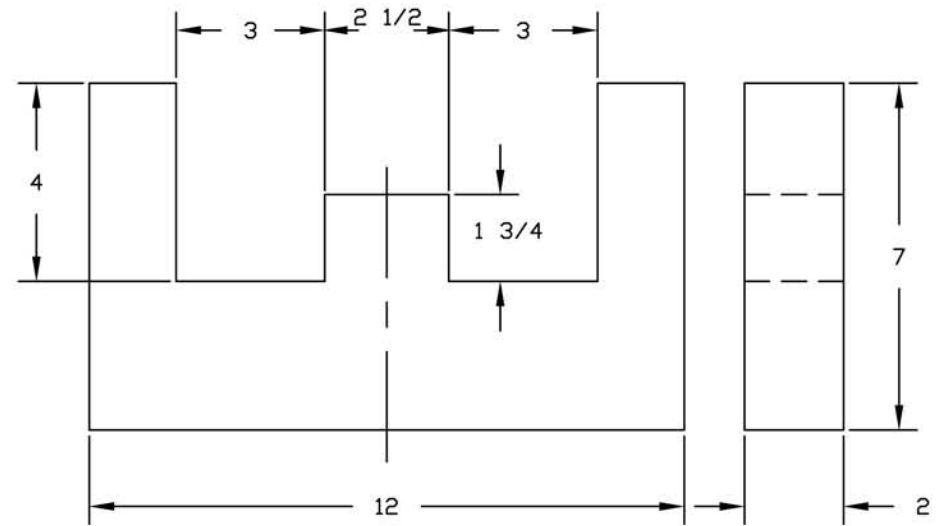
1: ALL DIMENSIONS ARE INCHES

2: 'E' SHAPE SUPPORT IS IDENTICAL TO CENTER SUPPORT, EXCEPT FOR HEIGHT OF CENTER LEG.

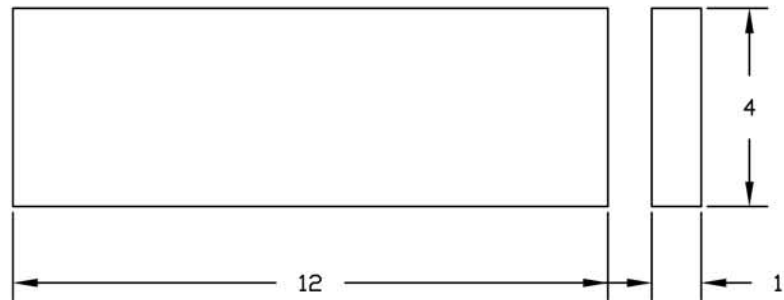
CENTER SUPPORT PMA F 022 SET = 2 PCS.



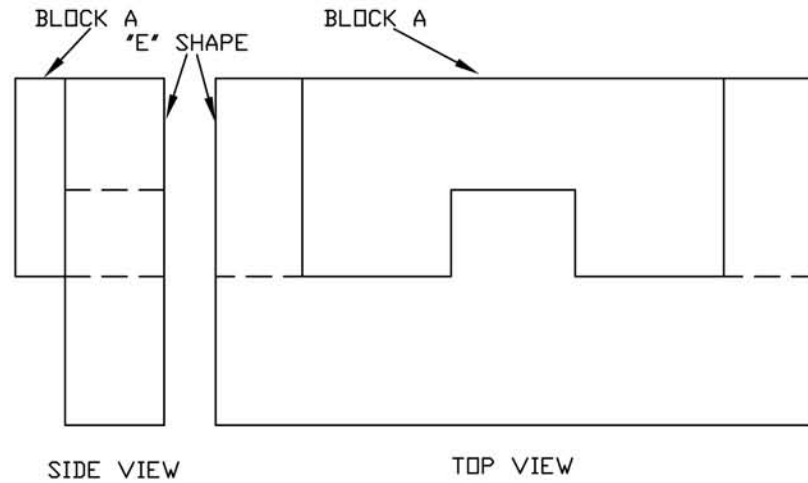
'E' SHAPE SUPPORT



BLOCK A



END SUPPORT PMA F 023 SET = 4 PCS.



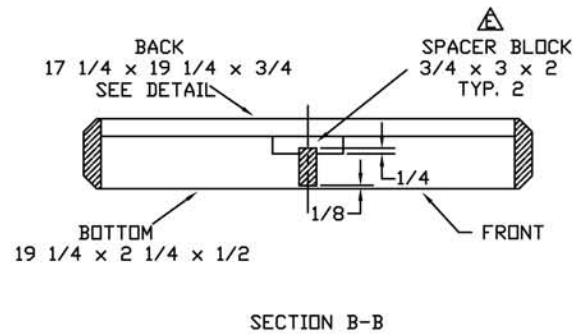
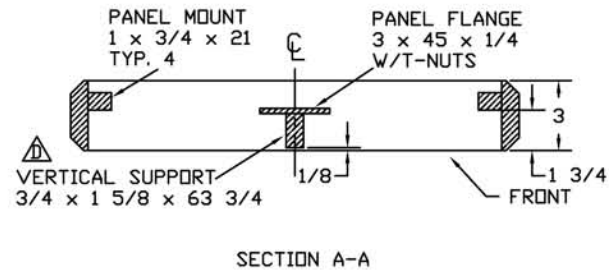
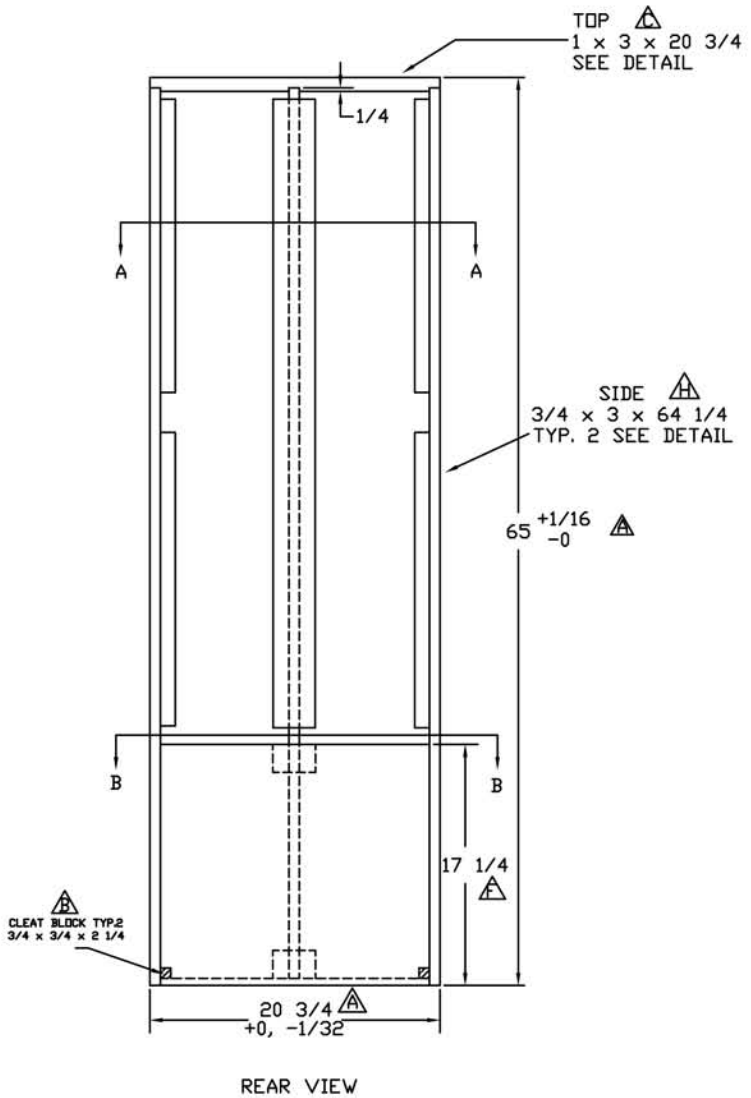
SIDE VIEW

TOP VIEW

ACOUSTAT
A DIVISION OF ROCKFORD CORP

2200/3300 FOAM

NOTES: UNLESS OTHERWISE SPECIFIED
 1: ALL DIMENSIONS ARE INCHES
 2: MATERIALS:
 1 MDF: TOP
 3/4 MDF: SIDES, BACK, VERTICAL SUPPORT, SPACER BLOCKS
 1/4 LUAN: PANEL FLANGES
 ALDER: PANEL MOUNTS
 3: SCALE: REAR VIEW-1/5
 CROSS SECTIONS-1/3



REVISIONS:
 9/25/90

- A. ADD TOLERANCES TO OVERALL SIZE
- B. ADD CLEAT BLOCKS TO BOTTOM CORNERS
- C. CHANGE STYLE OF TOP
- D. CHANGE LENGTH OF VERTICAL SUPPORT
- E. CHANGE STYLE OF SPACER BLOCK
- F. CHANGE HEIGHT OF BACK
- G. REVISE MATERIAL LIST
- H. CHANGE LENGTH OF SIDE
- I. TRANSFER DRAWING TO D SIZE

PAGE 1 OF 2

ACOUSTAT
 A DIVISION OF ROCKFORD CORPORATION
 SPECTRA 2200 FRAME

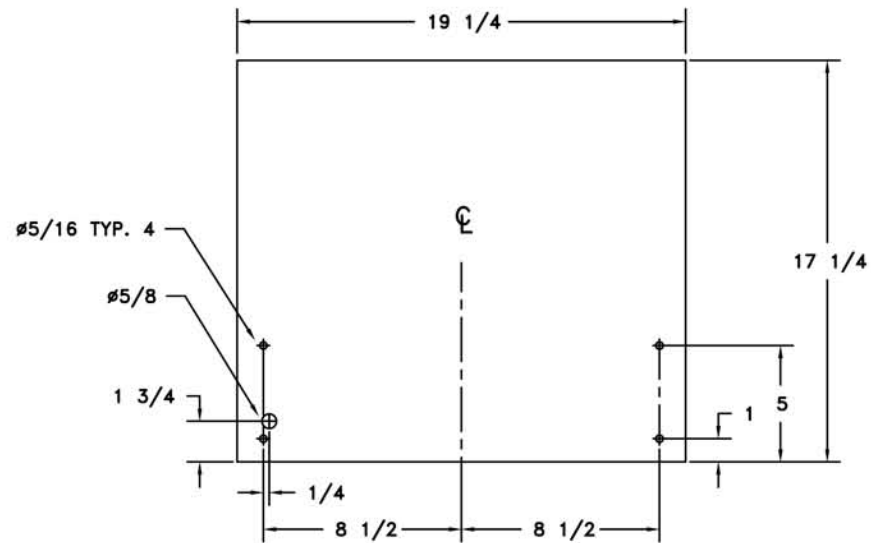
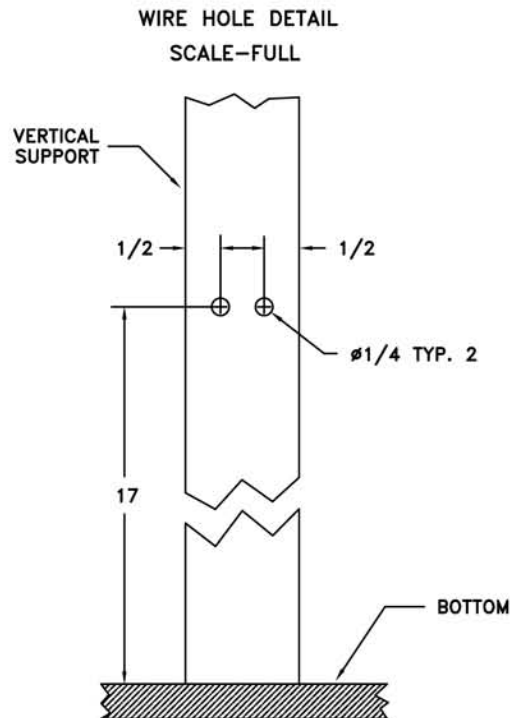
ANY TECHNICAL QUESTIONS REGARDING
 THIS PRINT SHOULD BE REFERRED TO
 ANDY SZABO (602)967-3565 EXT. 3036

NOTES:

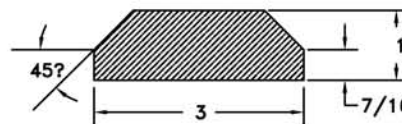
1. ALL DIMENSIONS IN INCHES
2. MATERIAL 3/4 MDF
3. INSTALL SIX PRONG 1/4-20 T-NUTS FROM REAR OF 5/16 HOLES

REVISIONS:

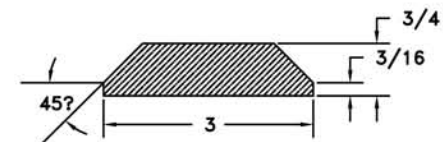
- 9/25/90
ADD CROSS-SECTION OF TOP
- 1/31/91
ADD WIRE HOLE DETAIL VIEW
CHANGE PRINT SIZE FROM C TO D



**BOTTOM BACK-VIEW FROM REAR
SCALE 1/3**



**BEVEL CROSS SECTION
SCALE-FULL
TOP**



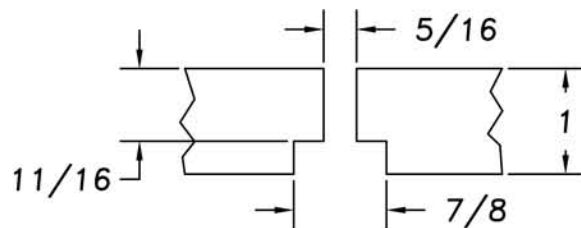
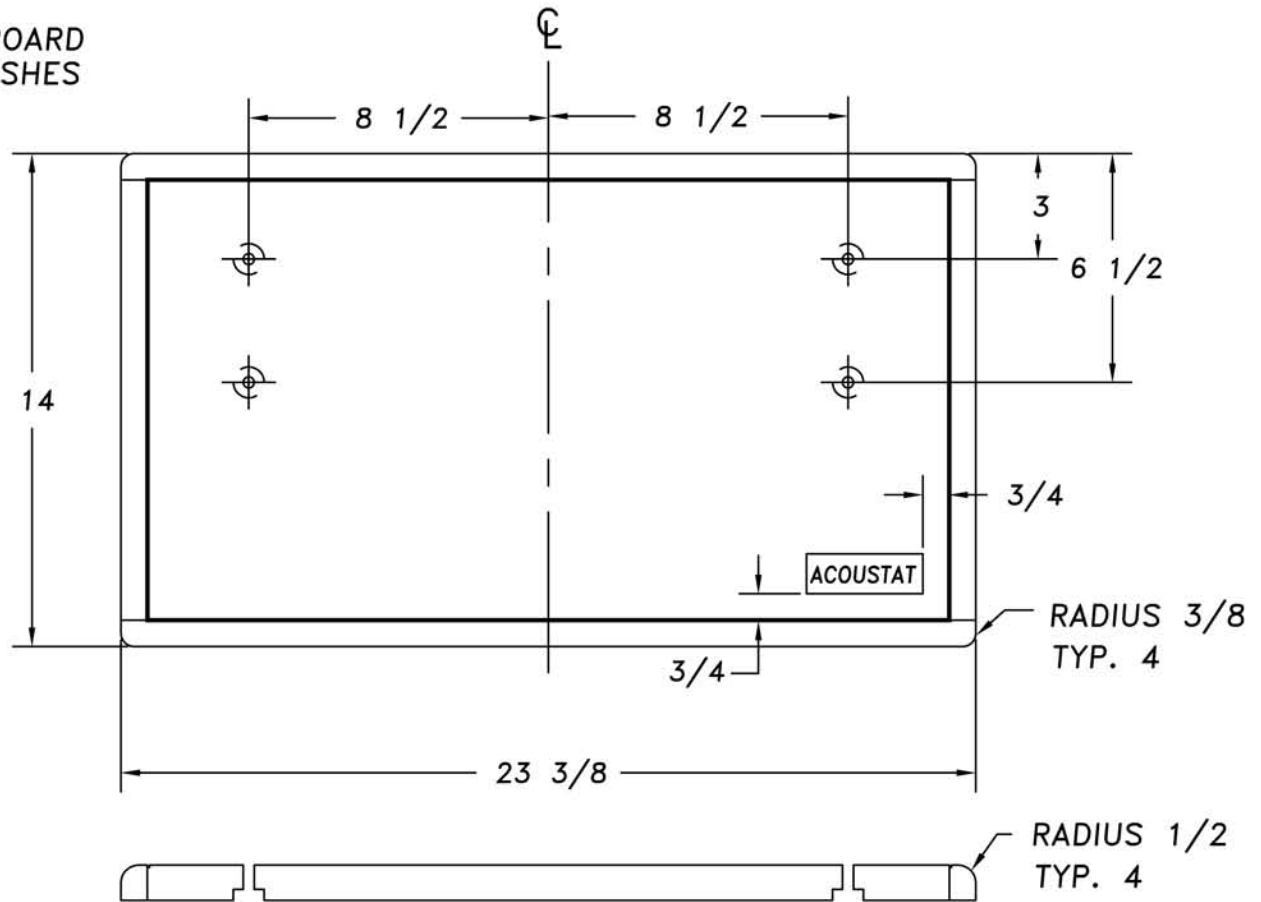
**BEVEL CROSS SECTION
SCALE-FULL
SIDES TYP. 2**

NOTES:

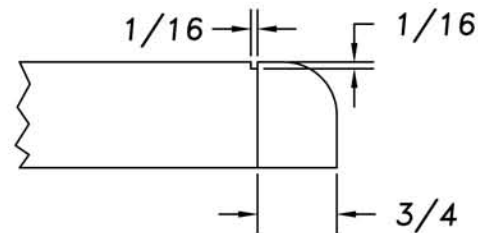
1. ALL DIMENSIONS INCHES
2. MATERIAL: OAK VENEER PARTICLE BOARD
SOLID OAK BANDING, VARIOUS FINISHES
3. PART NUMBER SUFFIX:
X= BSD- DARK OAK
BSL- LIGHT OAK
BSBL- BLACK OAK

REVISIONS:

6/12/90 CHANGED WIDTH FROM 23 1/4
TO 23 3/8
ADDED LOGO POSITION



COUNTERBORE DETAIL



EDGE DETAIL

ACOUSTAT A DIVISION OF ROCKFORD CORPORATION 2200 WOOD BASE
--

ANY TECHNICAL QUESTIONS REGARDING
THIS PRINT SHOULD BE REFERRED TO
ANDY SZABO (602)967-3565 EXT. 3036