

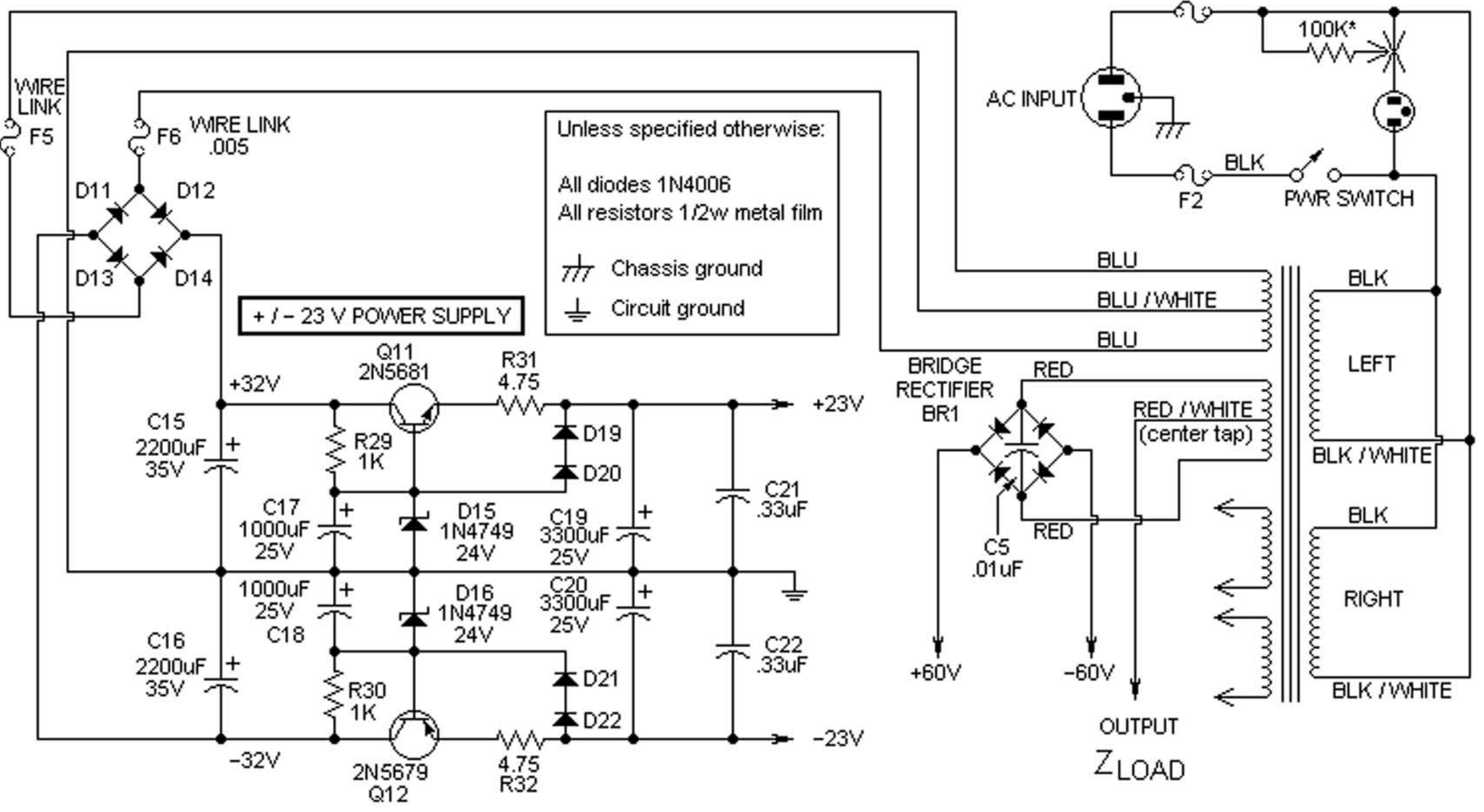


ACOUSTAT

TRANS - NOVA TWIN 120 page 1

Unless specified otherwise:
 All diodes 1N4006
 All resistors 1/2w metal film
 Chassis ground
 Circuit ground

* for 220-240 VAC only



ACOUSTAT

TRANS - NOVA TWIN 120 page 2