

NOTE 1

CR1, CR2      1N5400  
 CR3, CR4      S3217 8KV  
 CR5-CR16      1N4006

NOTE 2

RECEIVER INPUT DELETED  
 AND R25 ADDED FROM  
 CHASSIS 1700 OH

NOTE 3

C15, C15A, C20, C27, C36, R15, & R18  
 INVOLVE CHANGES IN PRODUCTION.  
 THE EARLIER VALUES ARE:  
 C15 15μF OR 33μF TANTALUM  
 C20 15μF TANTALUM  
 R15 6.8KΩ  
 R18 68KΩ  
 C15A, C27, C36 OMITTED

KIT AVAILABLE TO CONFORM TO  
 SCHEMATIC VALUES

NOTE 4

1N4004 ACCEPTABLE FOR  
 CR5-CR8 & CR13-CR16

INSTALL 500K TO  
 DEFEAT WALL-EFFECT EQ

RECTIFIER (TURN-ON)  
 AMPLIFIER

TRIGGER AMPLIFIER

INPUT AMPLIFIER & EQUALIZER

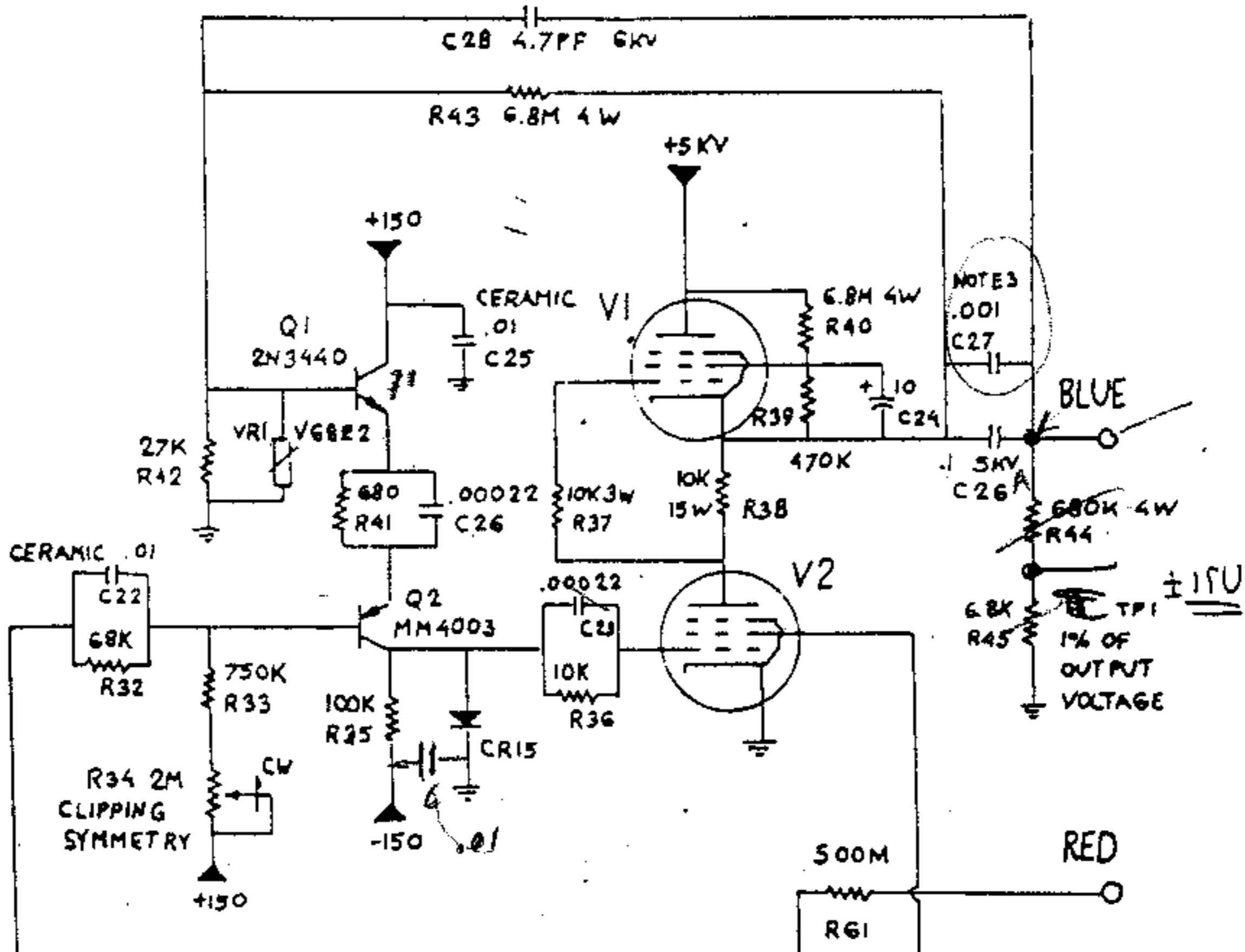
PHASE INVERTER

RECEIVER INPUT  
 SEE NOTE 2

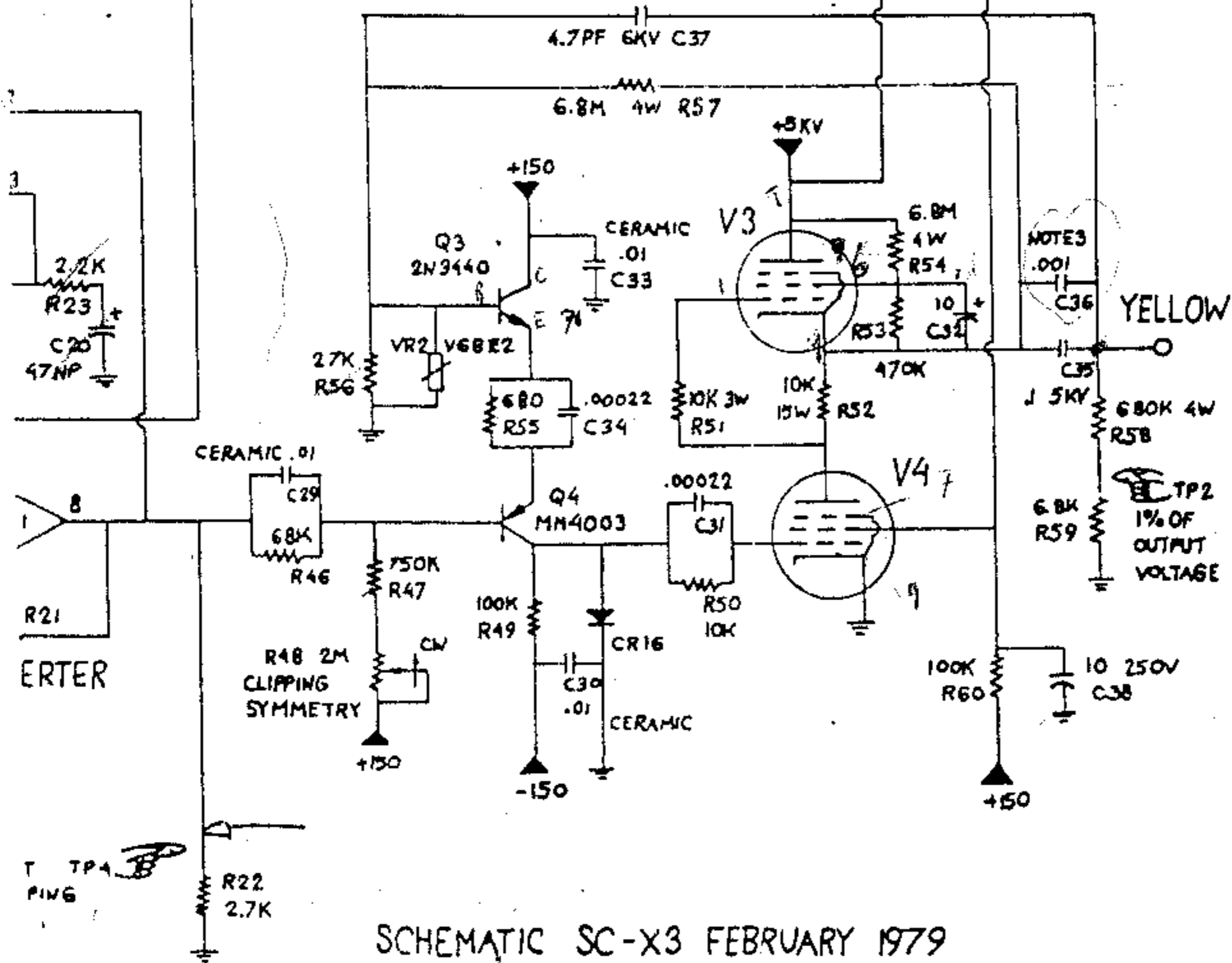
HF BALANCE

TP3 7.5V RMS AT TP4  
 OUTPUT CLIPPING

DISCRETE H.V. OP-AMP (REAR PLATES)



DISCRETE H.V. OP-AMP (FRONT PLATES)



SCHEMATIC SC-X3 FEBRUARY 1979

# Acoustal Monitor-X OTL