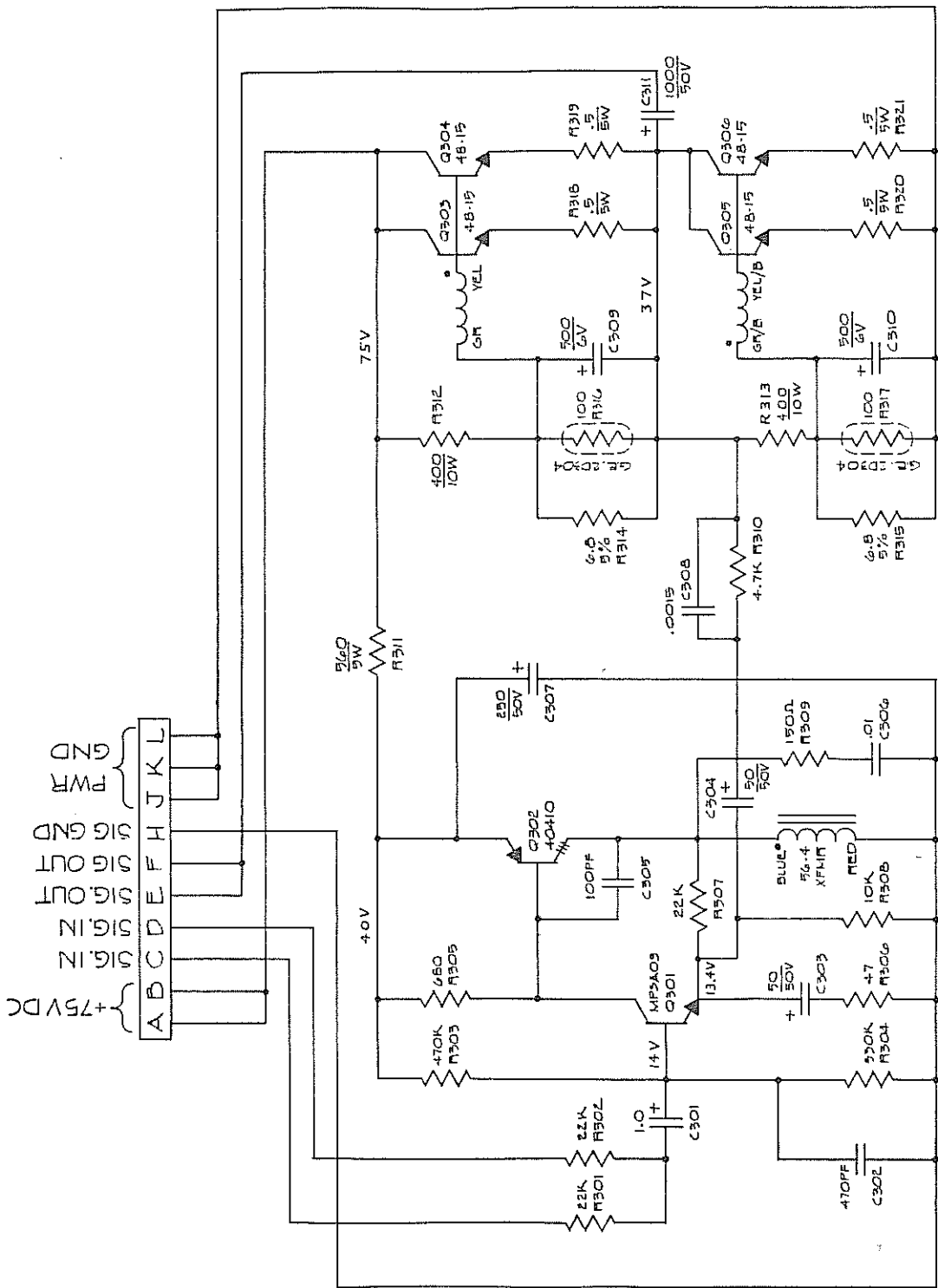


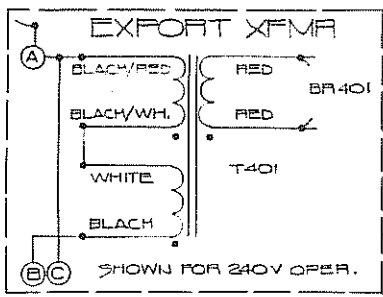
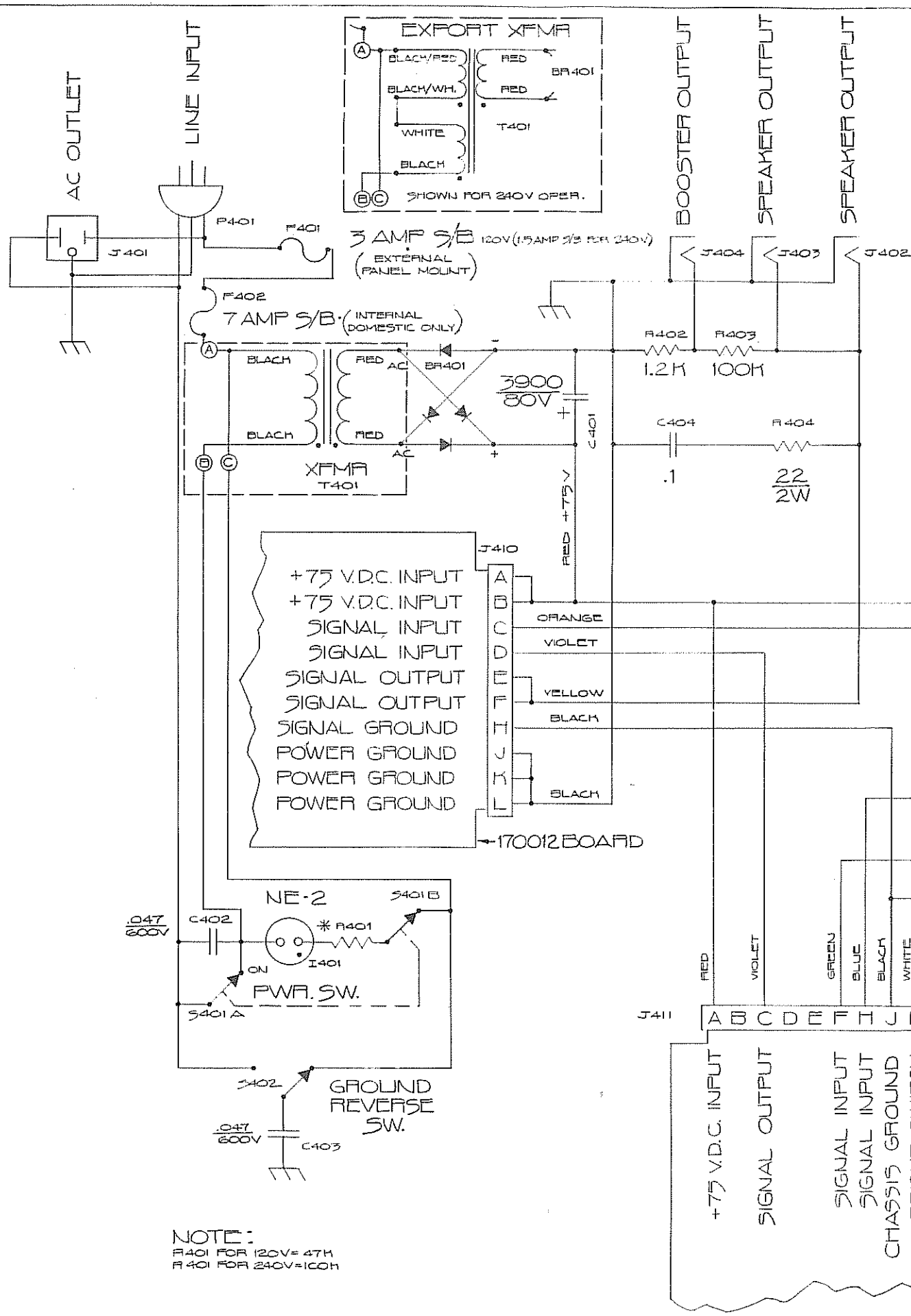
PREAMP (17-10)

CHG PER ECU 1101	12-11-72
ALMADE NEW DWG	1-11-71
SCALE: NONE	APPROVED:
DATE: 1-11-71	1002
SCHEMATIC 17-10	
ACOUSTIC CONTROL CORP. 1104B	



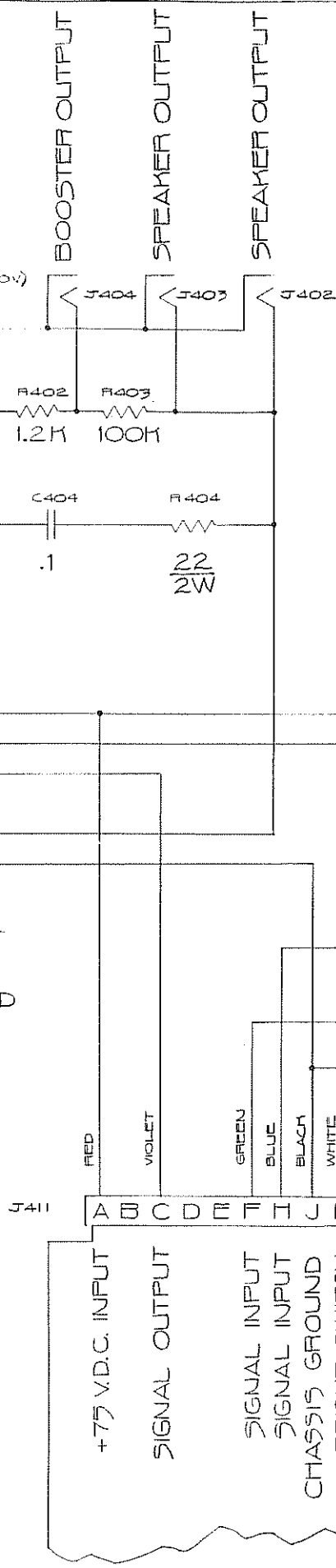
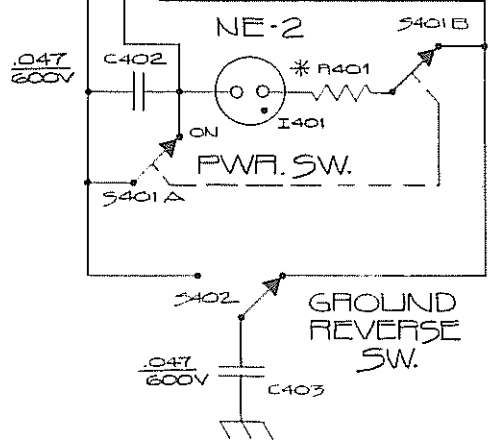
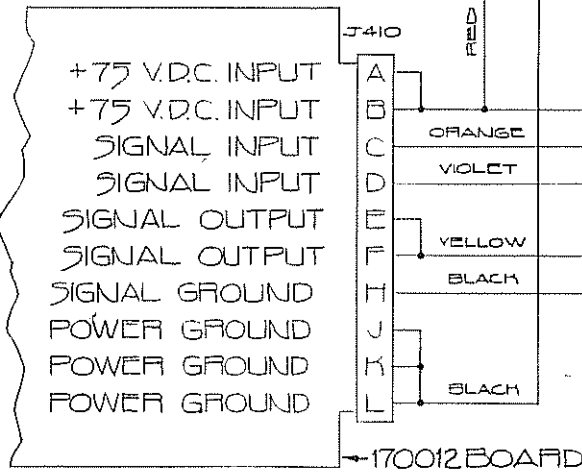
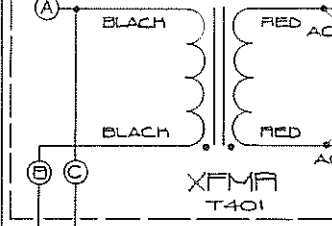
POWER MODULE (17-12)

DATE: 1-11-71	APPROVED: [Signature]	1-11-71	1103A
SCALE: NONE	DRAWN: [Signature]		
A. MADE NEW VELLUM		SCHEMATIC (17-12)	
ACOUSTIC CONTROL CORP		1103A	

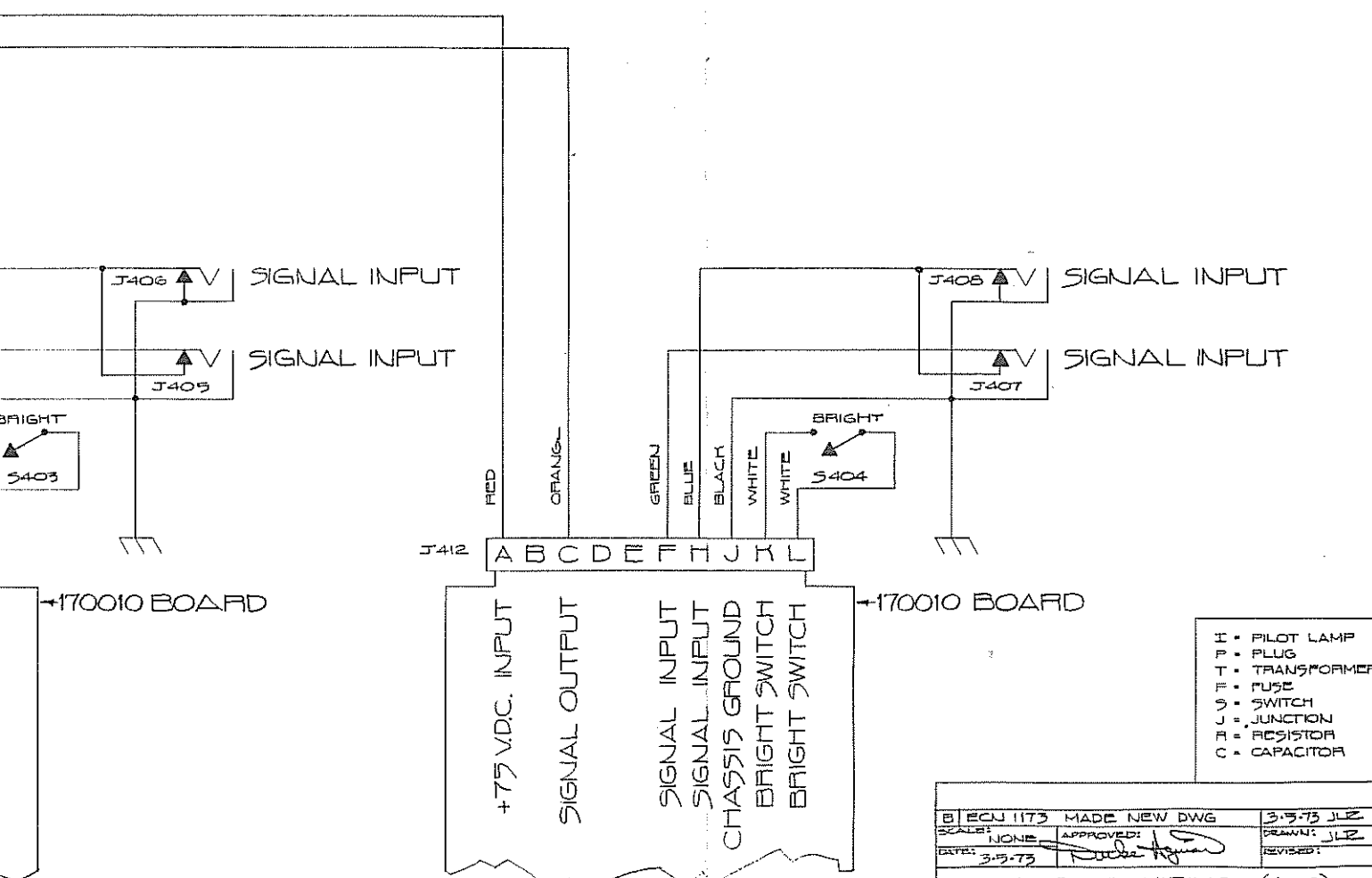


3 AMP S/B 120V (1.5 AMP S/B FOR 240V)  
(EXTERNAL PANEL MOUNT)

7 AMP S/B (INTERNAL DOMESTIC ONLY)



NOTE:  
R401 FOR 120V=47K  
R401 FOR 240V=100K



B ECU 1173 MADE NEW DWG		3-5-73 JLE
SCALE: NONE	APPROVED: <i>[Signature]</i>	DRAWN: JLE
DATE: 3-5-73		REVISED:
CHASSIS WIRING (140)		
ACOUSTIC CONTROL		1103B