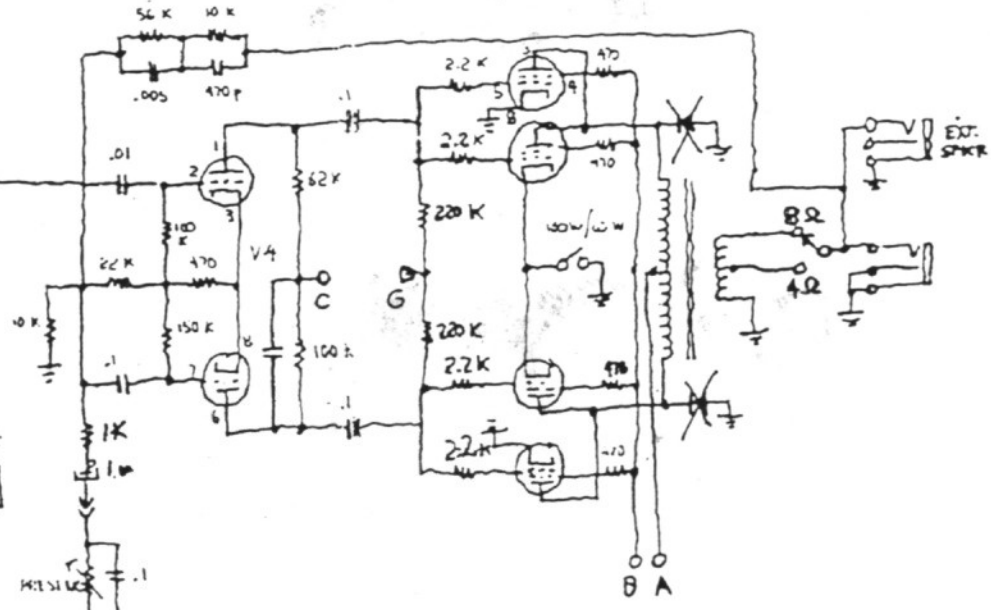
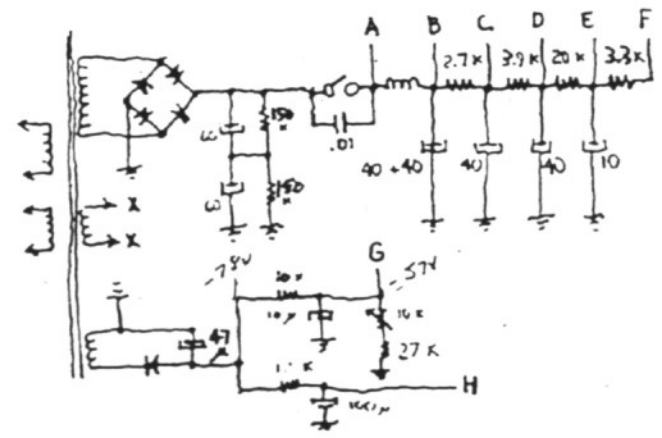
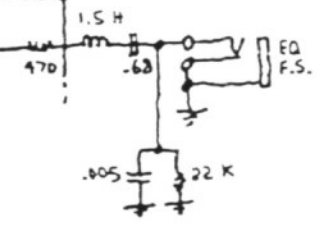
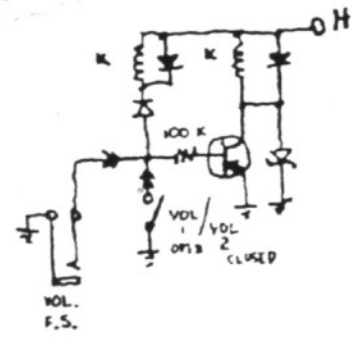


	L	C	R
100HZ F <sub>1</sub>	.15	.68	470
280HZ F <sub>2</sub>	.375	.68	680
1000HZ F <sub>3</sub>	.187	.15	470
2.5KHZ F <sub>4</sub>	.093	.05	470
5KHZ F <sub>5</sub>		.039	820



REV. B JAN 15 80

**acoustic**

SCALE: NONE APPROVED BY: *[Signature]*

DATE: REV 11/5/80

Models: 165 · 164 · 160 TUBE GUITAR AMPLIFIERS