

• (24, R15) REMOVED AFTER SERIAL NO. 72701050

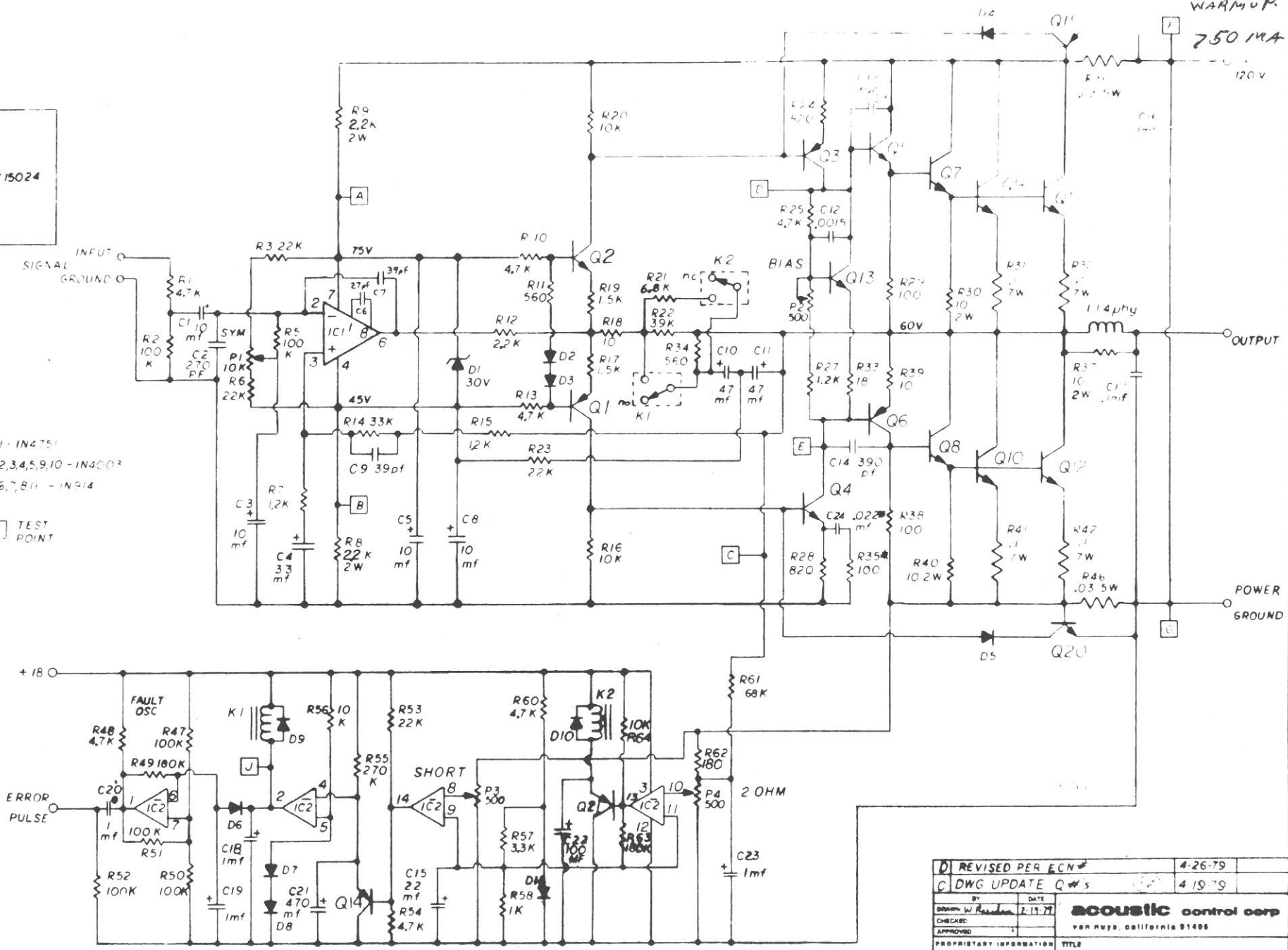
LAST COMPONENT DESIGNATION  
 L1  
 C11  
 C23  
 R64  
 P4  
 Q21  
 R2

Q1,3 - 2N5416  
 Q2,4 - 2N3440  
 Q5 - 2N3584  
 Q6 - 2N6211  
 Q7,8,9,10,11,12 - MJ15024  
 Q13 - 2N6474  
 Q14,21 - 2N4248  
 Q19 - MPS A56  
 Q20 - MPS A05

D1 - IN4751  
 D2,3,4,5,9,10 - IN4007  
 D6,7,8,11 - IN914

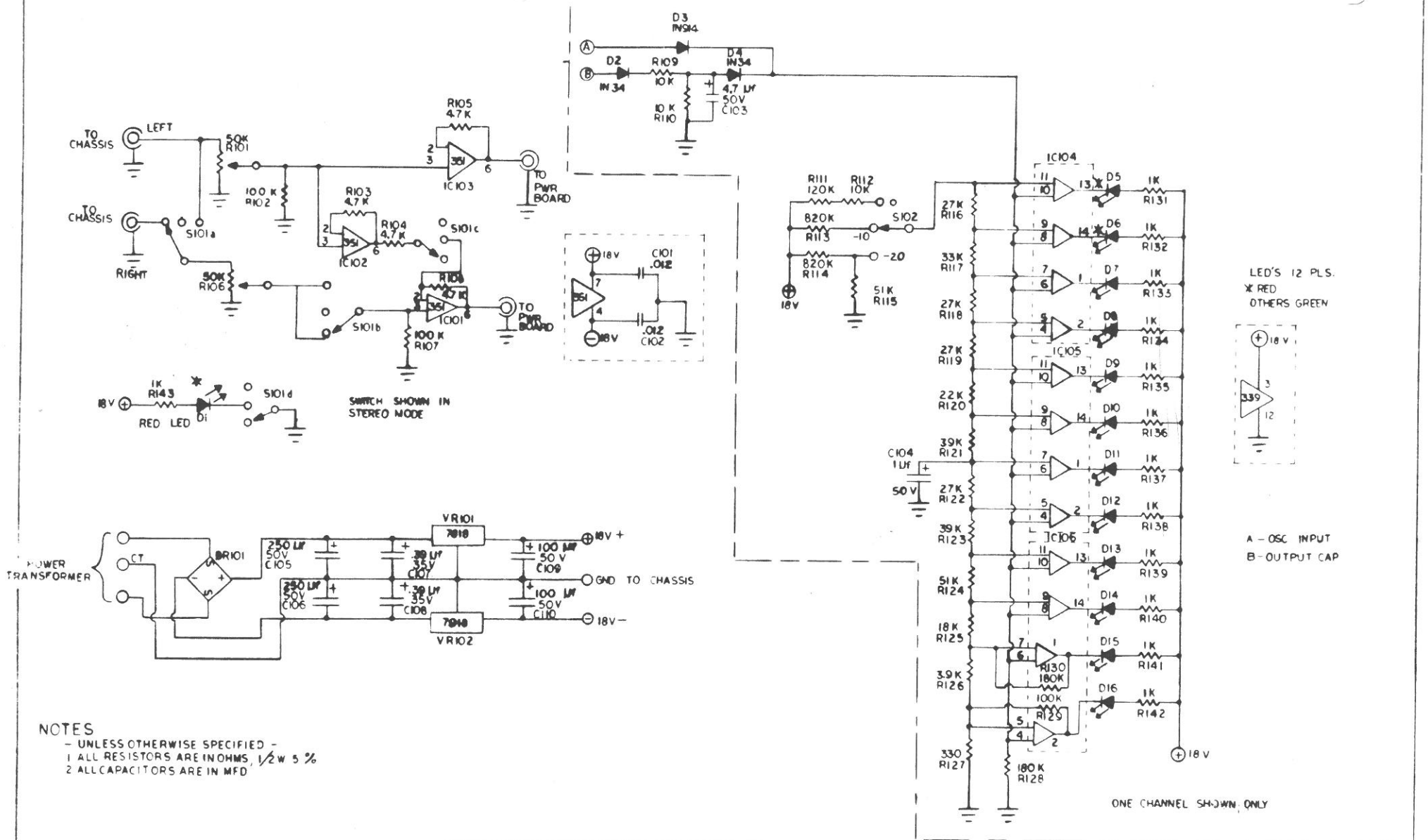
TEST POINT

AFTER WARMUP  
 750 MA  
 120 V



D1 REVISED PER ECN#		4-26-79
C1 DWG UPDATE Q#s		4 19 '79
BY	DATE	
BRANN, W. R.	2-19-77	
CHECKED		
APPROVED		
PROPRIETARY INFORMATION ALL INFORMATION CONTAINED IN THIS DOCUMENT IS THE PROPERTY OF ACOUSTIC CONTROL CORP. AND IS NOT TO BE DIVULGED OR REPRODUCED IN ANY MANNER WITHOUT SPECIFIC APPROVAL FROM ACOUSTIC CONTROL CORP.		
TITLE		
727 POWER AMP BRD		
REV	DRAWING NO	REV
C	1682	D
DO NOT SCALE THIS PRINT		

MC7818CT MC7918CT



NOTES  
 - UNLESS OTHERWISE SPECIFIED -  
 1 ALL RESISTORS ARE IN OHMS, 1/2W 5 %  
 2 ALL CAPACITORS ARE IN MFD

REFERENCE DESIGNATION	
LAST	NOT USED
R143	
IC106	
VR102	
D16	
C110	
BR101	
SIC2	

A REVISED PER ECN # 2032 5-3-79

REVISED 1-30-79 <i>W. Rand</i>	
PC170090	DWG CI682 POWER AMP
NUMBER	TITLE
RELATED DOCUMENTS	

UNLESS OTHERWISE SPECIFIED DIMENSIONS ARE IN INCHES TOLERANCES ARE	
FRACTIONS	ANGLES
DECIMALS	HOLES
MATERIAL	
PRE-FINISH	
FINISH	

BY	DATE
DRAWN N. NOSANOV	1-11-79
CHECKED <i>W. Rand</i>	1-11-79
APPROVED <i>W. Rand</i>	1-11-79
PROPRIETARY INFORMATION	
ALL INFORMATION CONTAINED IN THIS DOCUMENT IS THE PROPERTY OF <b>acoustic control corp.</b> AND IS NOT TO BE DIVULGED OR EMPLOYED IN ANY WAY WITHOUT SPECIFIC APPROVAL FROM <b>acoustic control corp.</b>	

<b>acoustic control corp</b>			
van nuys, california 91408			
TITLE			
LIGHT BAR PANEL PCB			
MODEL 727 o 170092			
SIZE	DRAWING NO	REV	
C	CODE 3	PART NO 1708	A
SCALE --- DO NOT SCALE THIS PRINT			