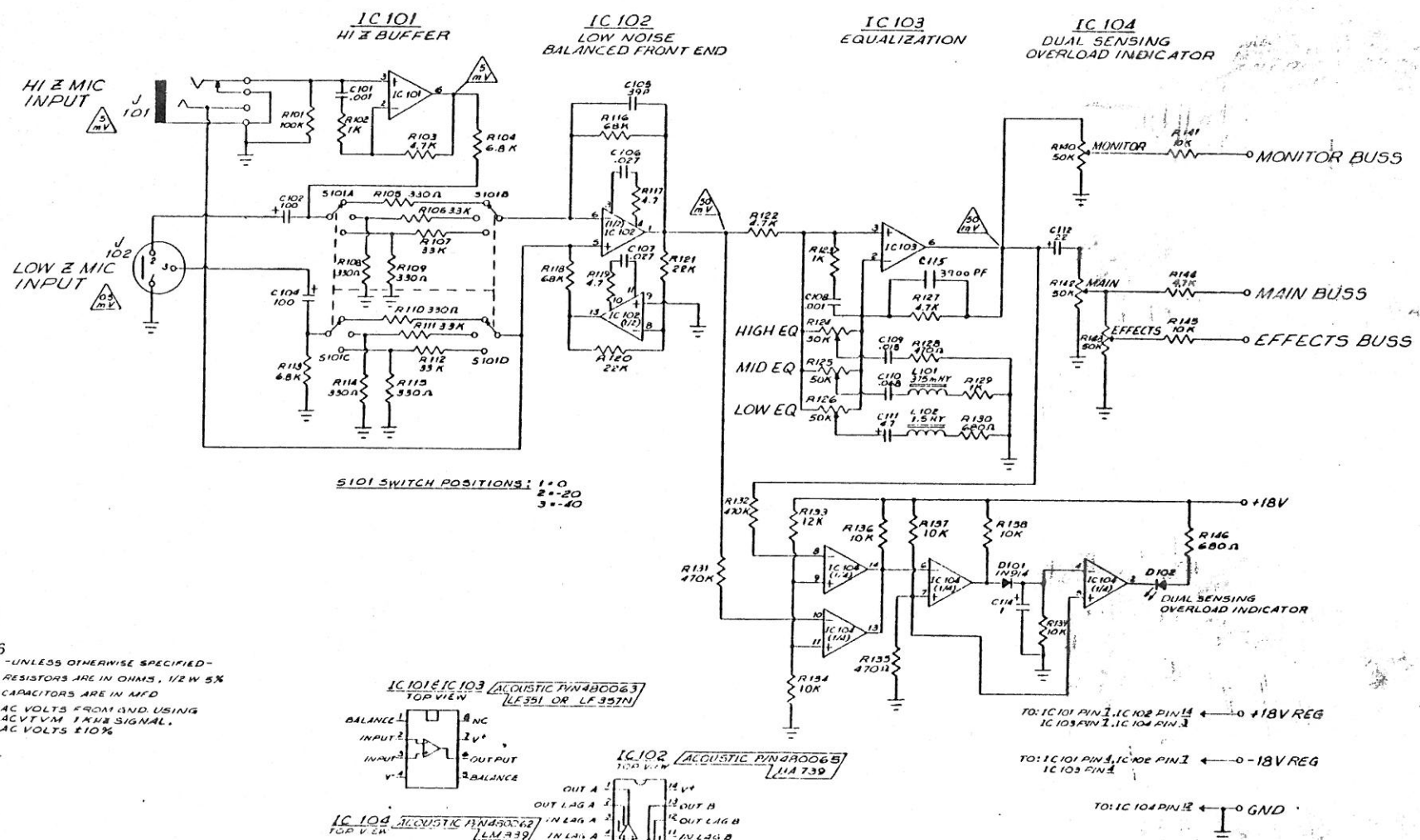


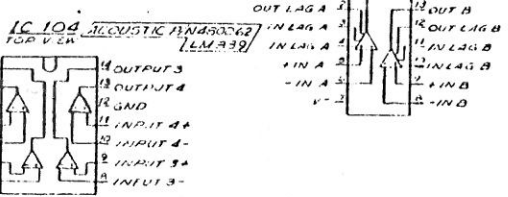
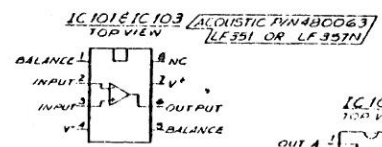
REV	DESCRIPTION	DATE	APPD
A	REVISED PER EGM 1737	5-3-79	
B	REVISED PER EGM 1740	7-6-79	

### MODEL 911 CHANNEL 1-6



S101 SWITCH POSITIONS: 1=0  
2=-20  
3=-40

- NOTES**  
-UNLESS OTHERWISE SPECIFIED-
1. ALL RESISTORS ARE IN OHMS, 1/2W 5%
  2. ALL CAPACITORS ARE IN MFD
  3.  $\Delta$  AC VOLTS FROM GND, USING 40V/5M 1KHZ SIGNAL. AC VOLTS  $\pm 10\%$



REFERENCE DESIGNATION	LAST	NOT USED
C 116		C 103, 113
IC 104		
J 102		
D 102		
R 146		
S 101		

NUMBER	TITLE	DATE	BY	DATE
170085	PC BOARD	12-1-78		
170087	SCHEMATIC	5-4-79		
170087	PC BD PWR AMP			
170116	SCHEMATIC	5-2-79		
	PRE-AMP			

DRAWN: J. L. P.		DATE: 5-4-79	
CHECKED: C. H.		APPROVED: J. L. P.	
<b>acoustic control corp</b> van dyke, calif 91406			
<b>SCHEMATIC</b> <b>911 - PREAMP</b>			
SHEET: D	DRAWING NO:	PART NO: 1648	REV: B

MODEL 911 MASTER

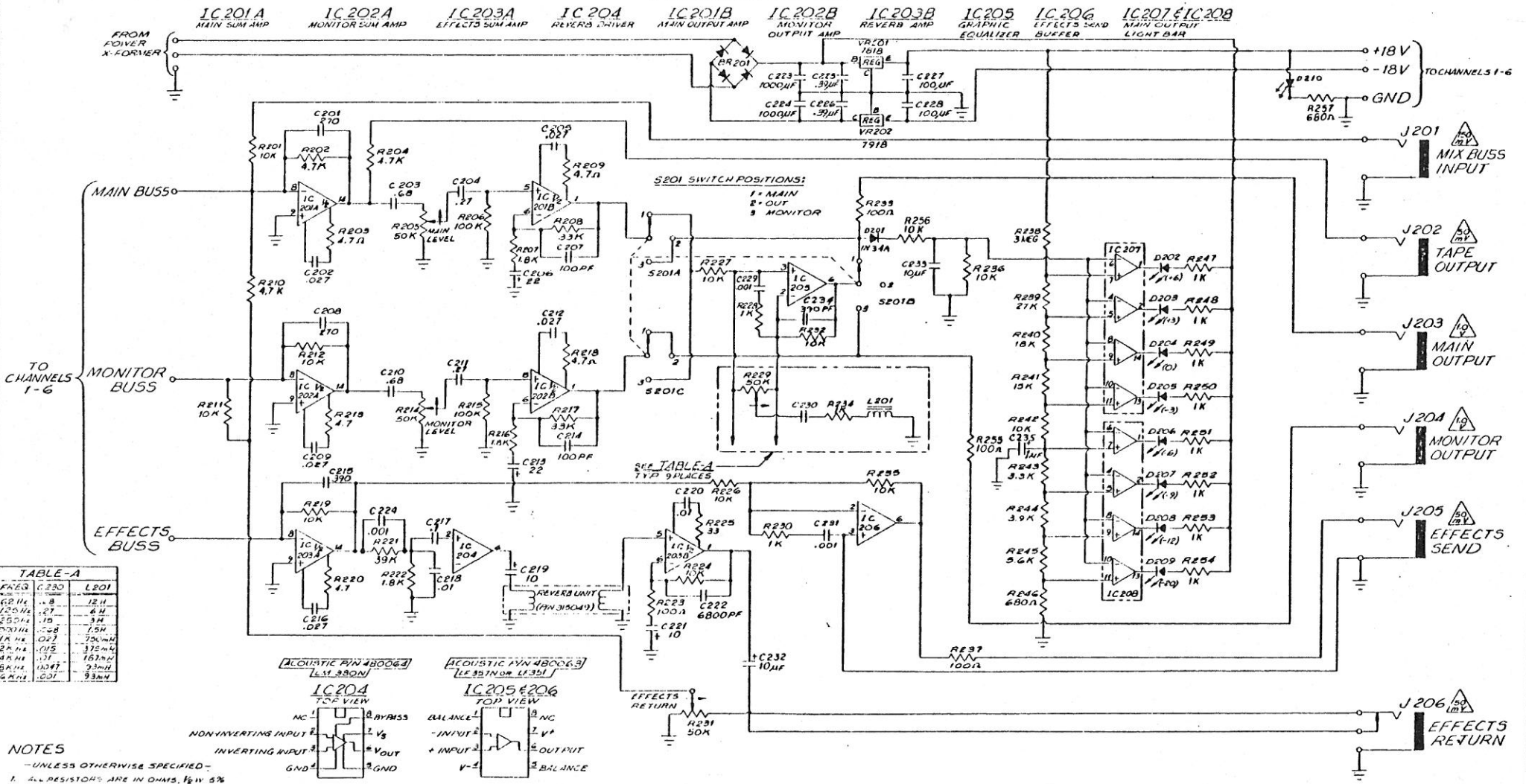
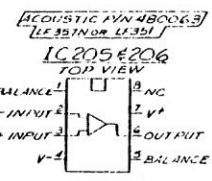
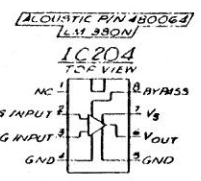


TABLE-A

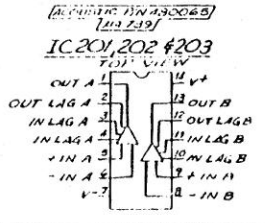
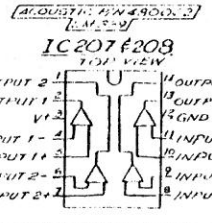
FREQ	C230	L201
60 Hz	.8	12 H
250 Hz	.27	6 H
500 Hz	.15	3 H
1000 Hz	.08	1.5 H
1 kHz	.027	750 mH
2 kHz	.015	375 mH
4 kHz	.008	187 mH
8 kHz	.0047	93 mH
16 kHz	.0027	46 mH

NOTES  
 -UNLESS OTHERWISE SPECIFIED-  
 1. ALL RESISTORS ARE IN OHMS, 1% 5%  
 2. ALL CAPACITORS ARE IN MFD.  
 3. Δ AC VOLTS FROM GND USING AC VOLTAGE 10% SIGNAL AC VOLTS 110%



REF DESIGNATION

LAST	NOT USED
BR201	
C235	
D210	
IC 208	
L201	
R257	
S201	
V206	
VR202	



B Revised Per ECN 1760		C L R	
A Revised Per ECNs 1677, 1695, 1738		S-24-77 145	
D 1648	SCHEMATIC, PWR AMP	UNLESS OTHERWISE SPECIFIED DIMENSIONS ARE IN INCHES DECIMALS ARE IN THOUSANDS	BY DATE
170065	P.C. BOARD PWR AMP	DESIGNED BY	3/3/78
170076	SCHEMATIC, PWR AMP	CHECKED BY	
170087	P.C. BOARD PWR AMP	APPROVED BY	
NUMBER	DATE	PROPRIETARY INFORMATION	TITLE
		ALL INFORMATION CONTAINED HEREIN IS THE PROPERTY OF ACOUSTIC CONTROL CORP. AND IS NOT TO BE REPRODUCED OR TRANSMITTED IN ANY FORM OR BY ANY MEANS WITHOUT THE WRITTEN PERMISSION OF ACOUSTIC CONTROL CORP.	SCHEMATIC
			911 MASTER SUM AMP
		SIZE D	DRAWING NO. 1649
			PART NO. 1649
			REV B
			DO NOT SCALE THIS PRINT

acoustic control corp  
 van nuys, california 91408

