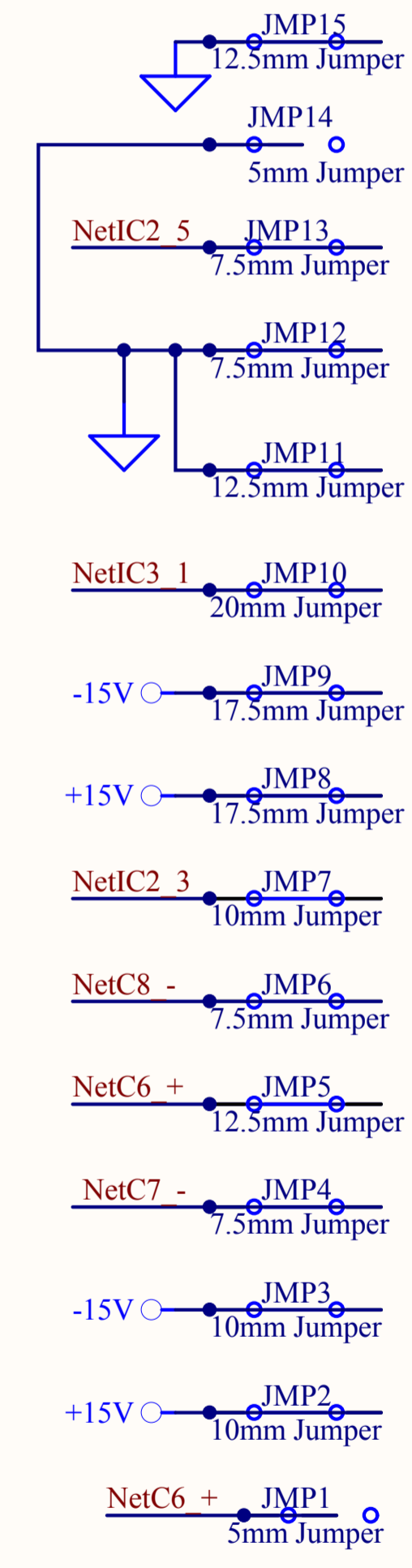


Title		
Acoustic B600H Patch Board		
Size	Number	Revision
B	JRA	REV E
Date:	4/24/2009	Sheet 1 of 1
File:	C:\Documents and Settings\...\B600H Patch Board Rev E 11Mar2009 JA.SchDoc	



68,00

48,80

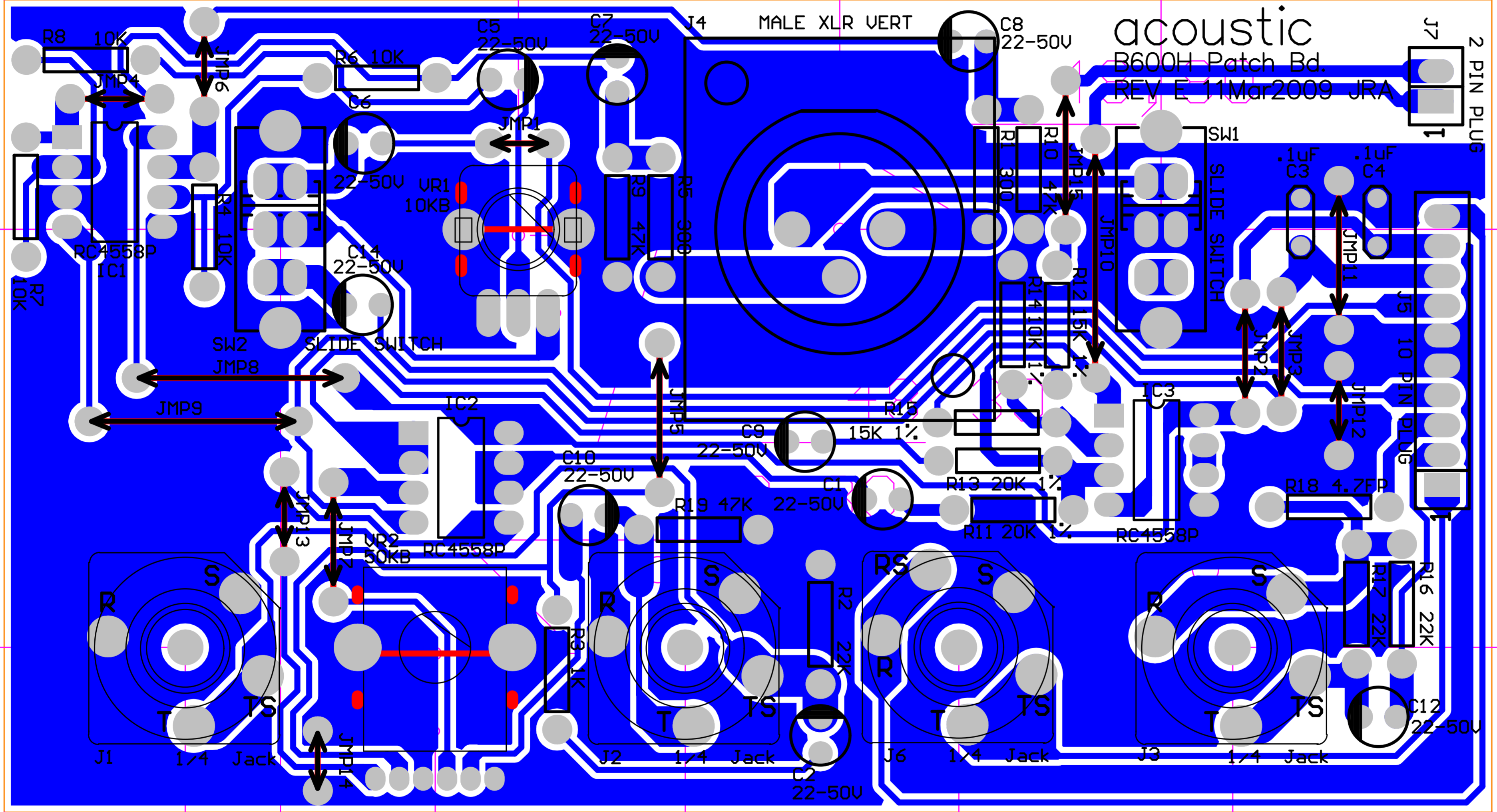
13,80

0,00

43,20

70,20

97,20



48,80

13,80

0,00

15,20

23,20

36,20

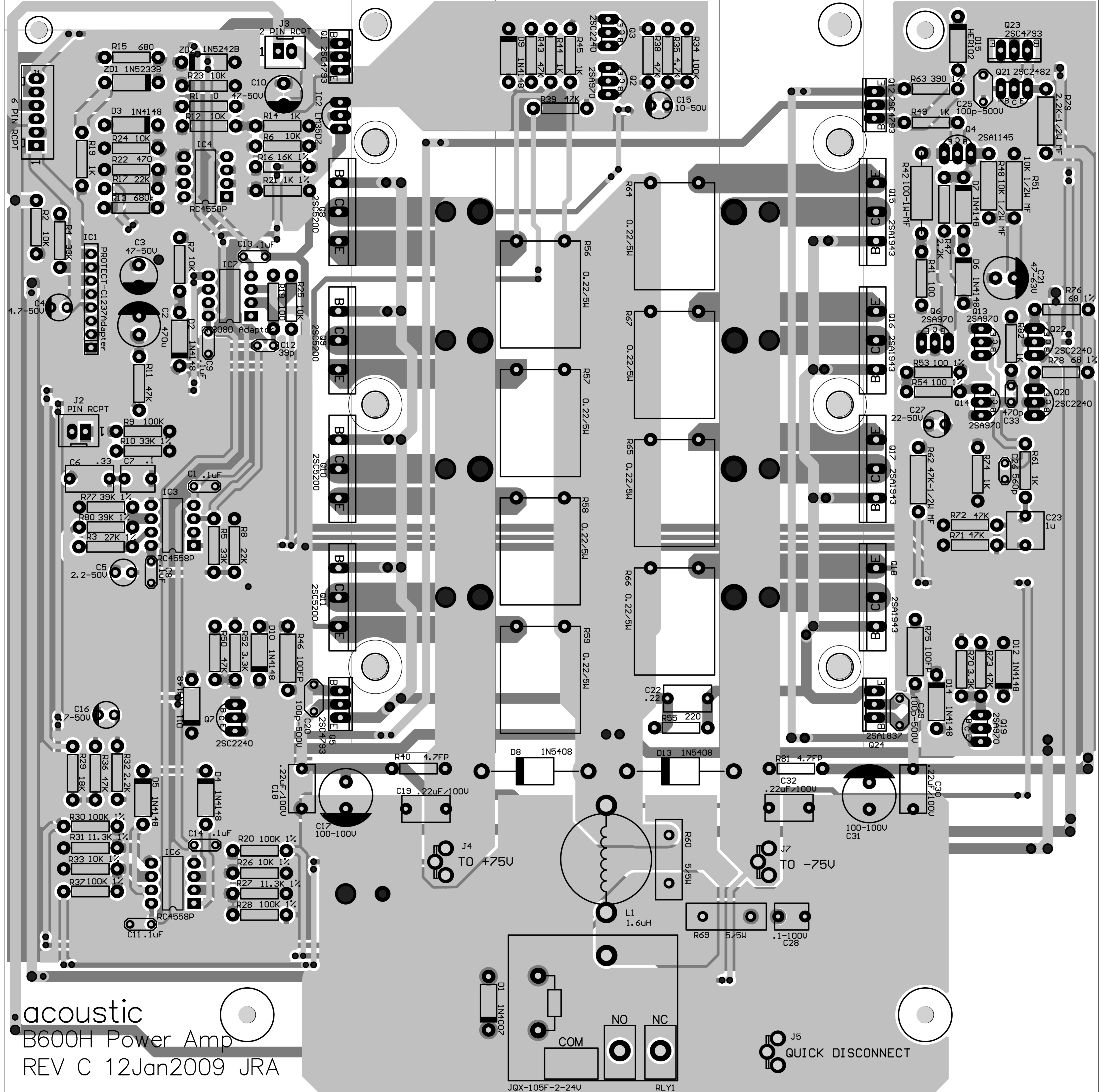
57,20

80,20

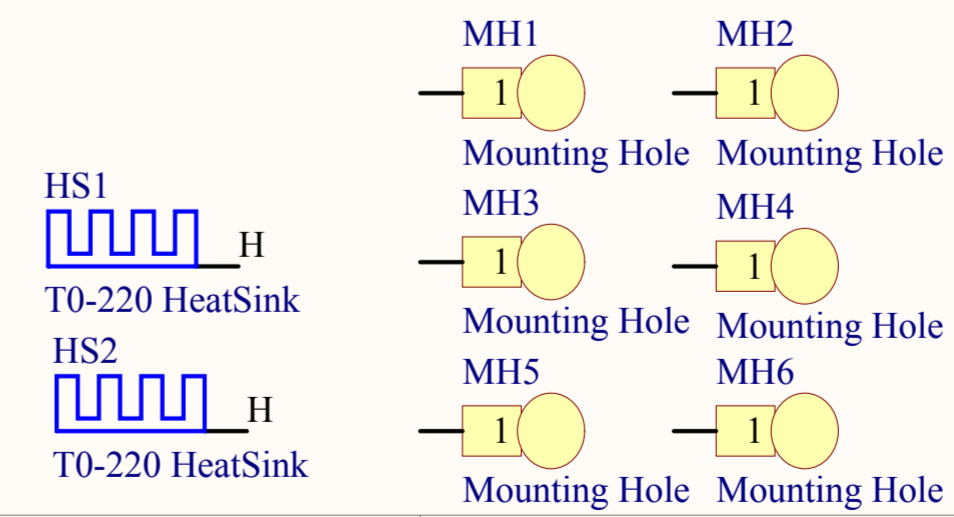
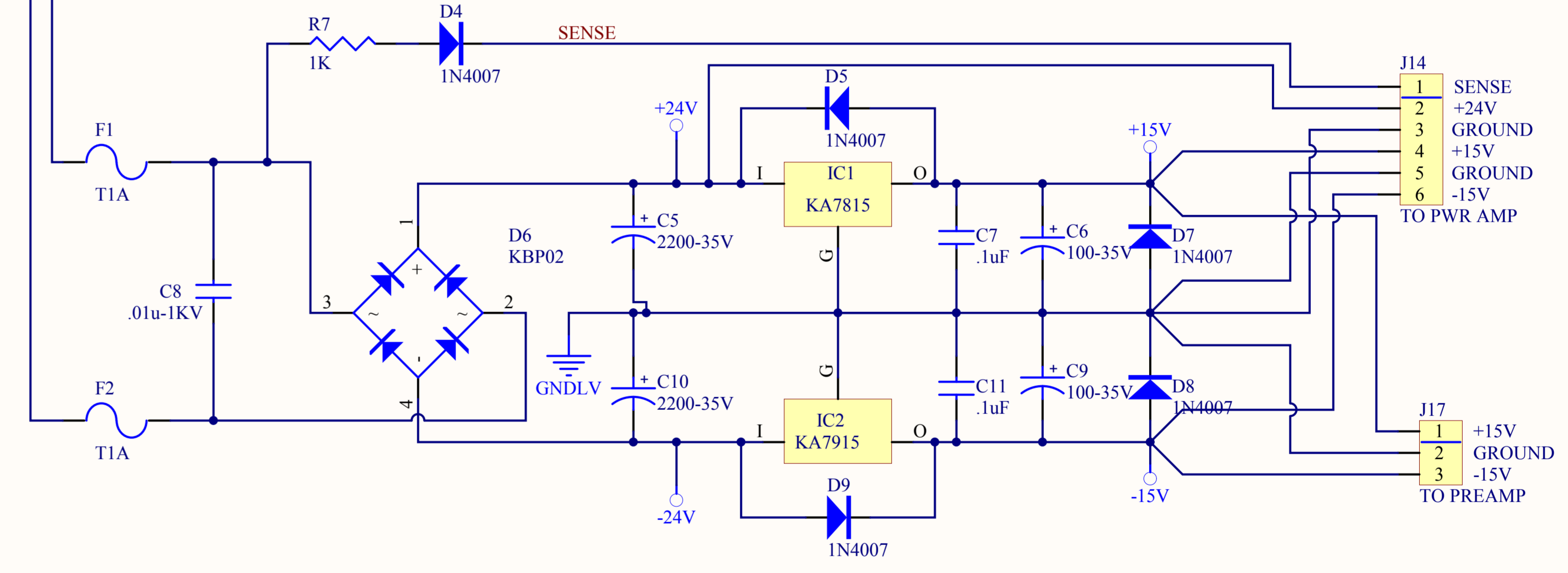
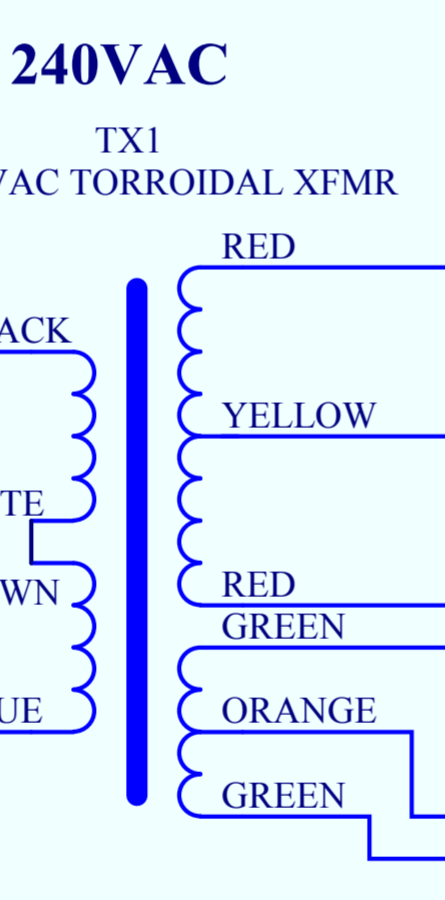
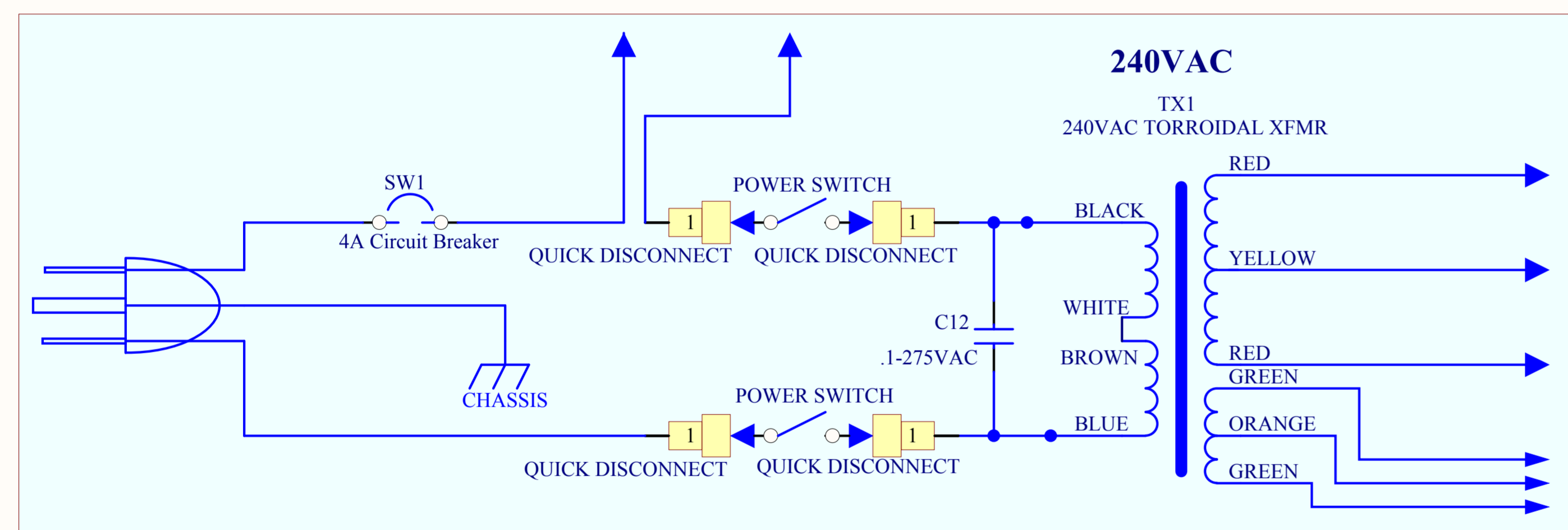
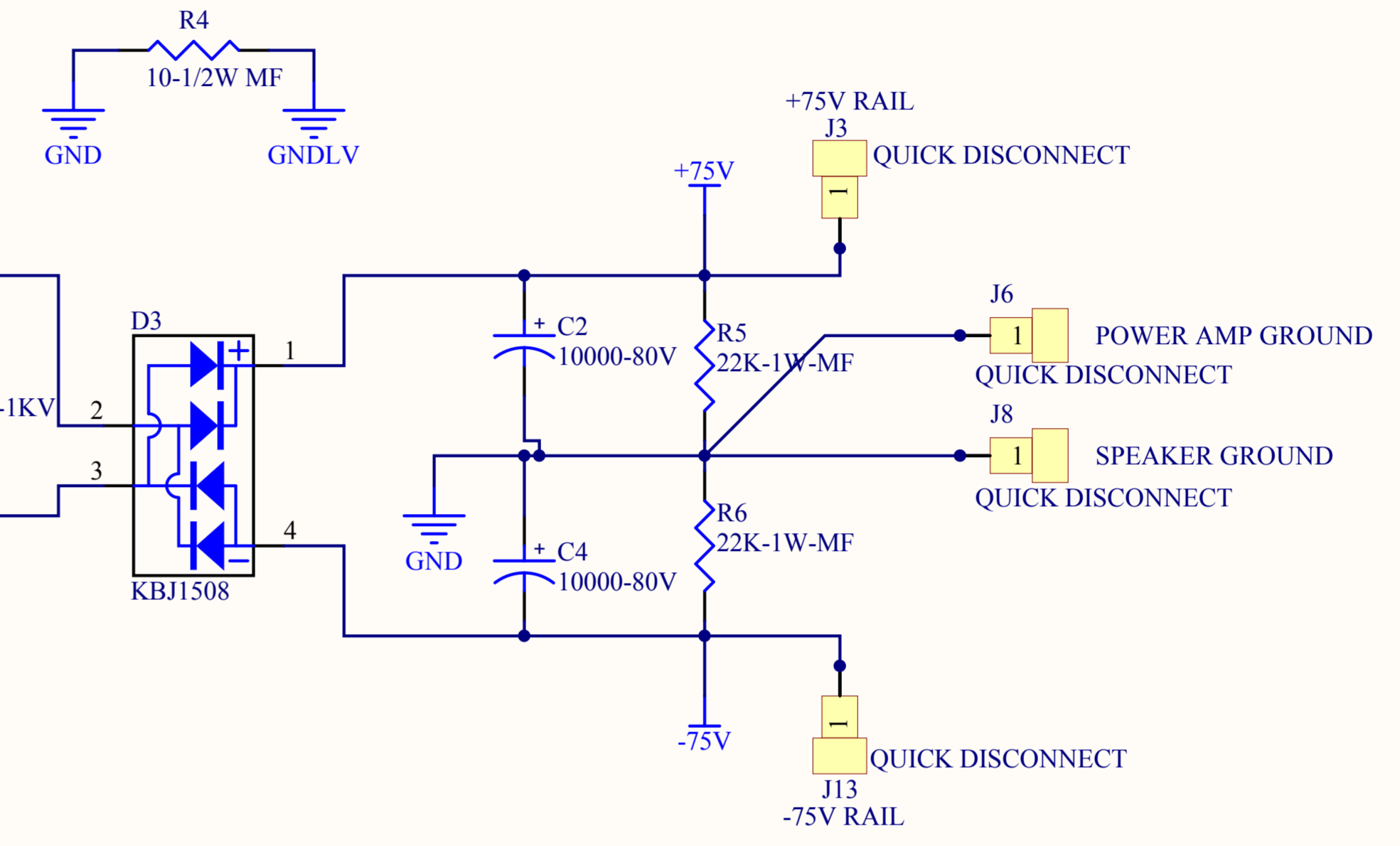
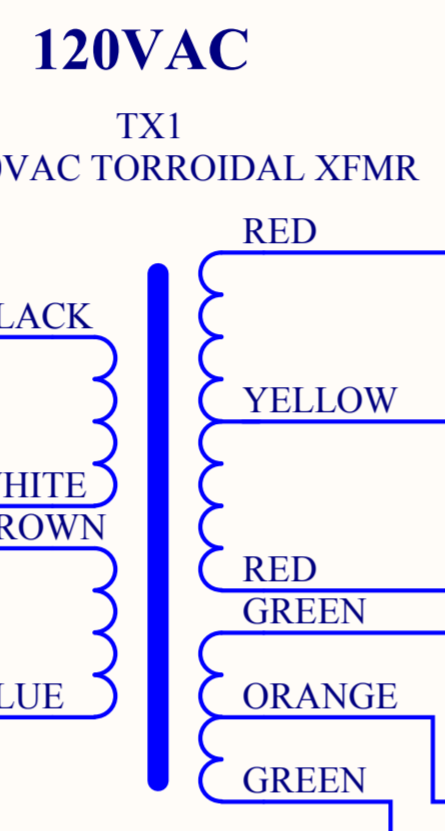
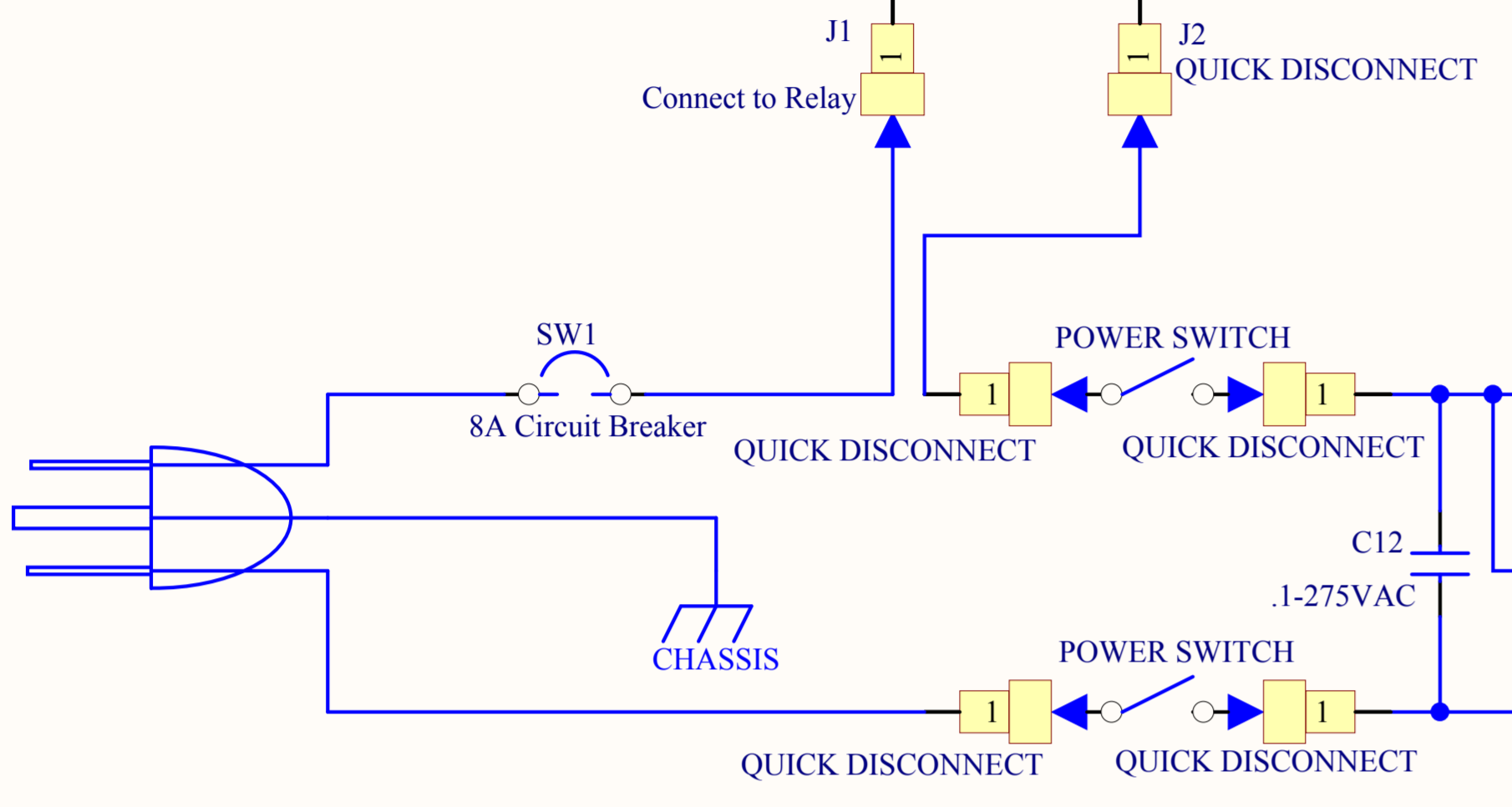
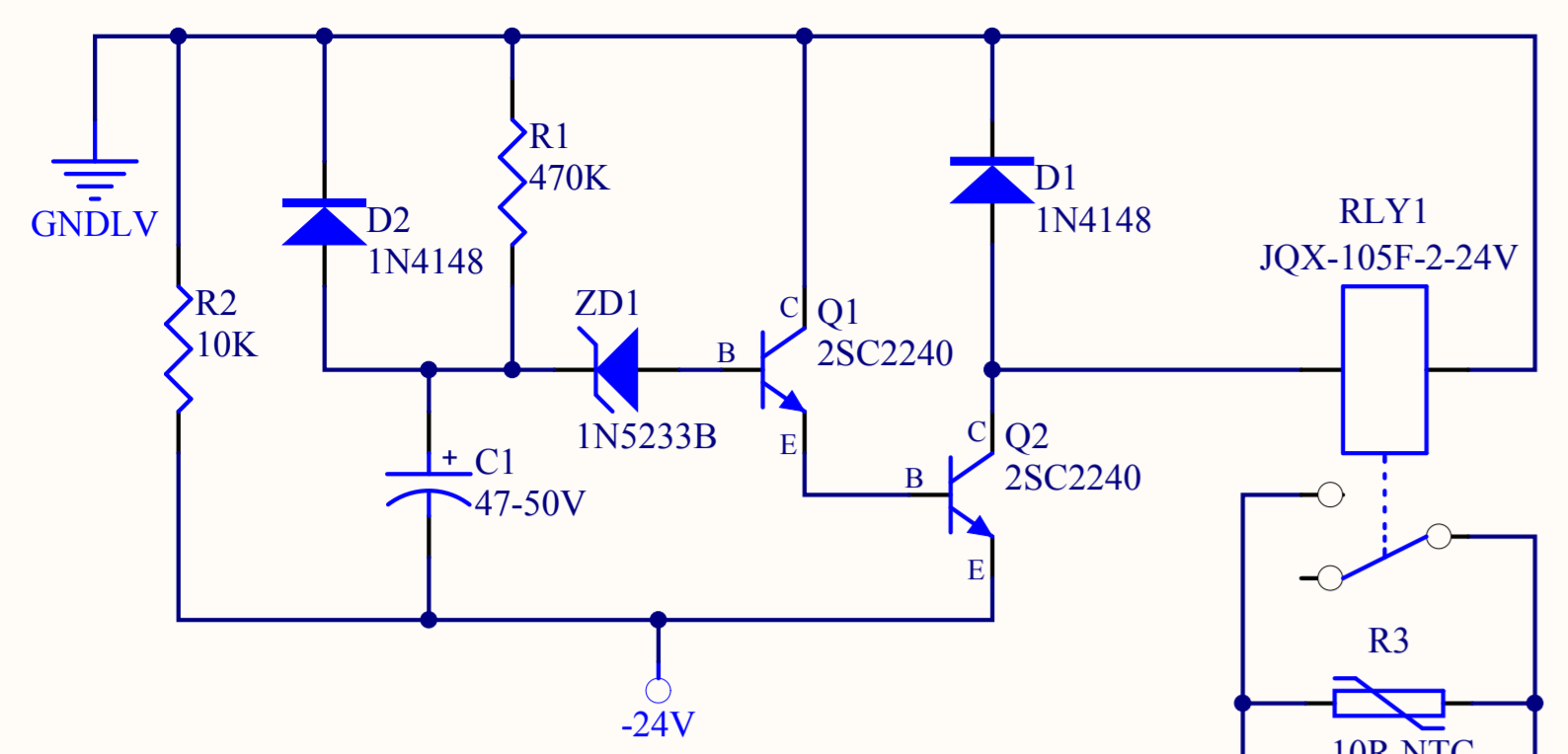
103,20

125,00

acoustic
B600H Power Amp
REV C 12Jan2009 JRA

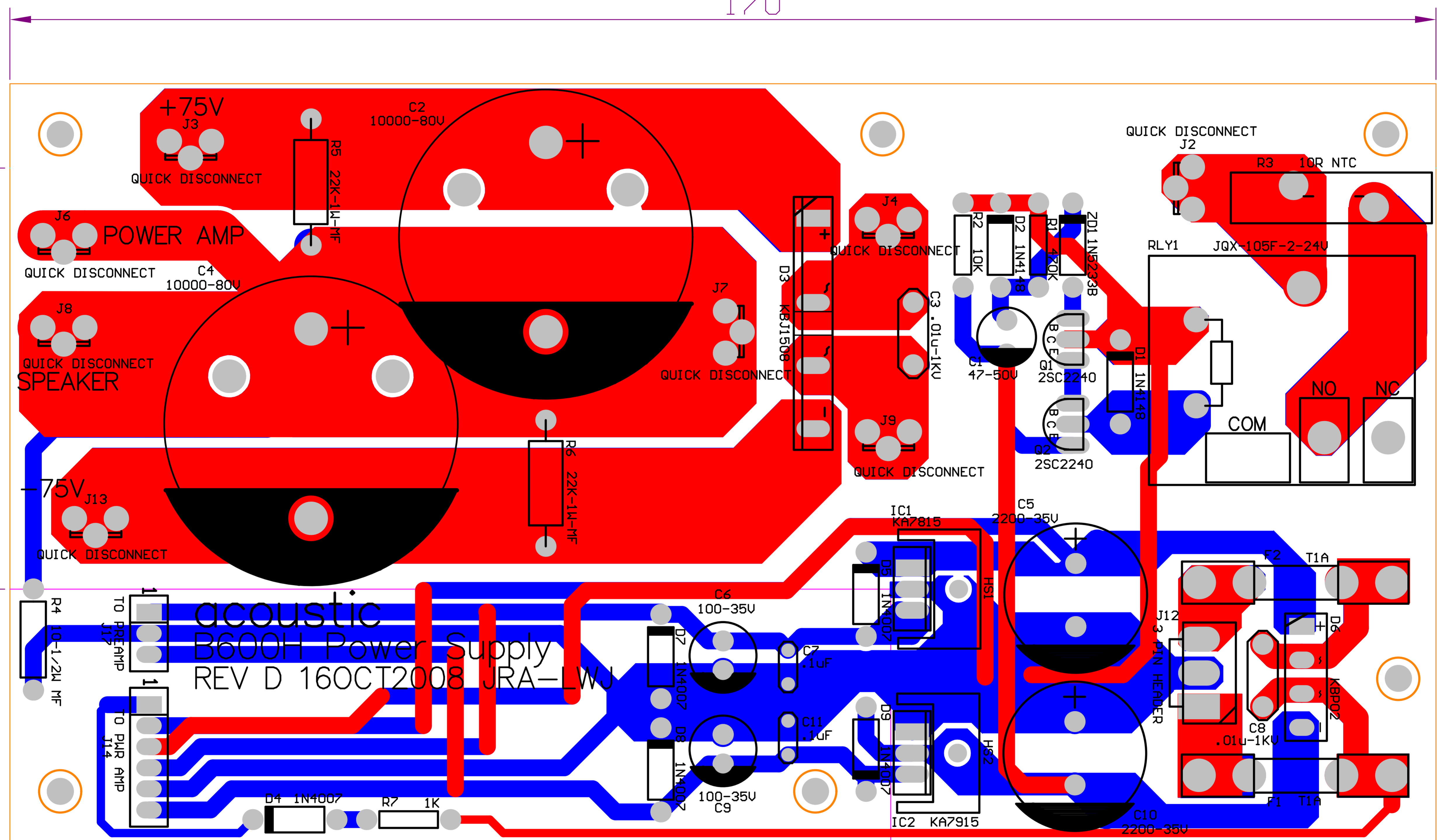


JQX-105F-2-24V RLY1



Title		
Acoustic B600H Power Supply		
Size	Number	Revision
B	JRA	Rev D
Date:	4/23/2009	Sheet of
File:	C:\Documents and Settings\...B600H Power Supply Rev D 5Dec2008 JA.SchDoc	

170



80

30

105

+75V
J3

QUICK DISCONNECT

C2
10000-80V

R5
22K-1M-MF

J6
POWER AMP

QUICK DISCONNECT
C4
10000-80V

J8
QUICK DISCONNECT
SPEAKER

J7
QUICK DISCONNECT

D3
KBJ1508

J4
QUICK DISCONNECT

C3
.01u-1Kv

J9
QUICK DISCONNECT

R2
10K

D2
1N4148

D1
4Z0K

ZD1
1N5233B

Q1
2SC2240

Q2
2SC2240

QUICK DISCONNECT
J2

R3
10R NTC

RLY1
JQX-105F-2-24V

COM

NO

NC

75V
J13

QUICK DISCONNECT

R4
10-1/2u MF

J17
TO PREAMP

J14
TO PMR AMP

acoustic
B600H Power Supply
REV D 16OCT2008 JRA-LWJ

C6
100-35V

D7
1N4007

D8
1N4007

D9
1N4007

C9
100-35V

C7
.1uF

C11
.1uF

D5
1N4007

D6
1N4007

IC1
KA7815

IC2
KA7915

C5
2200-35V

HS1

HS2

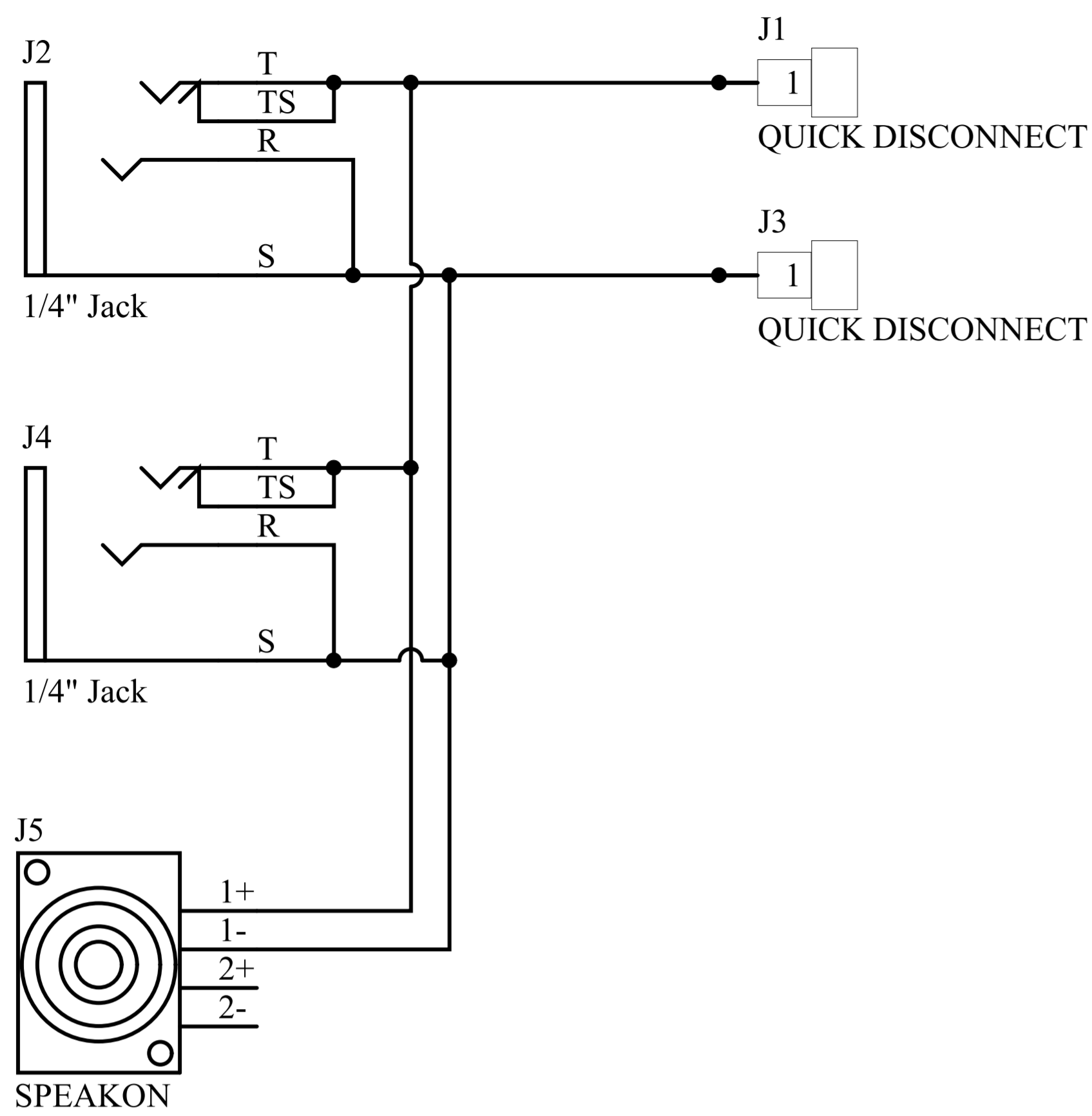
F2
T1A

F1
T1A

J12
3-PIN HEADER

D8
KBPO2

C8
.01u-1Kv



Title			B600H Speaker Jack Board		
Size	Number		Revision		
A			Rev B		
Date:	5/12/2009		Sheet 1 of 1		
File:	C:\Documents and Settings\...B600H Speaker Jack Rev B.rvt				

60,00

40,80

25,80

10,80

0,00

