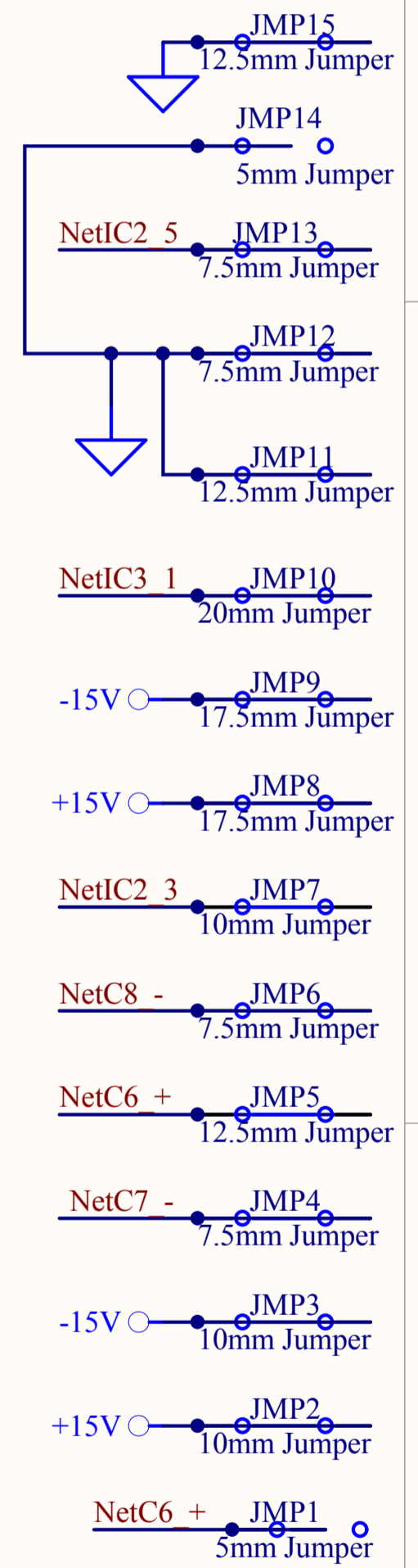
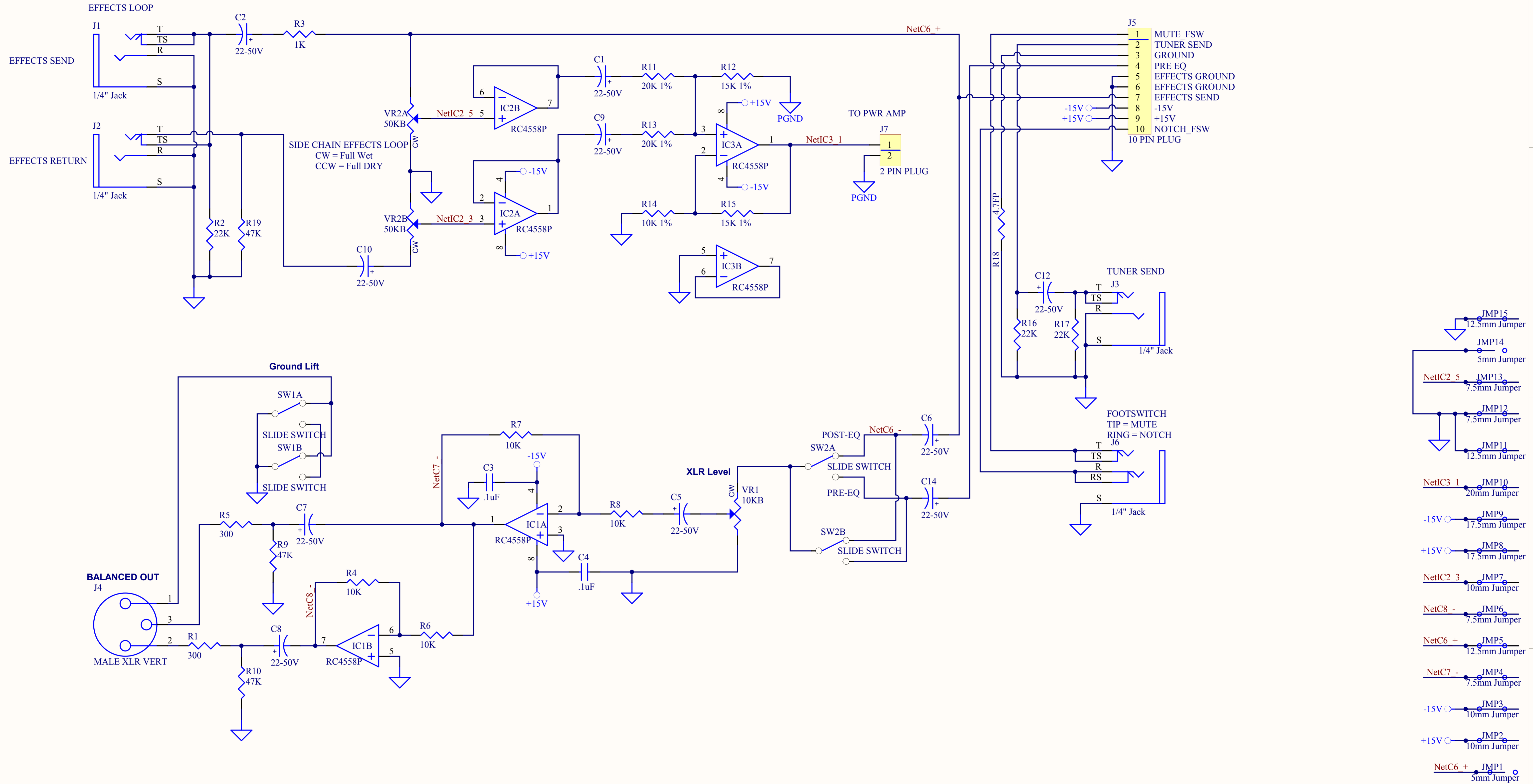


365.00

65.00



Title		
Acoustic B600H Patch Board		
Size	Number	Revision
B	JRA	REV E
Date:	4/24/2009	Sheet 1 of 1
File:	C:\Documents and Settings\...\B600H Patch Board.RJE 11Mar2009 JA.SchDoc	

68,00

48,80

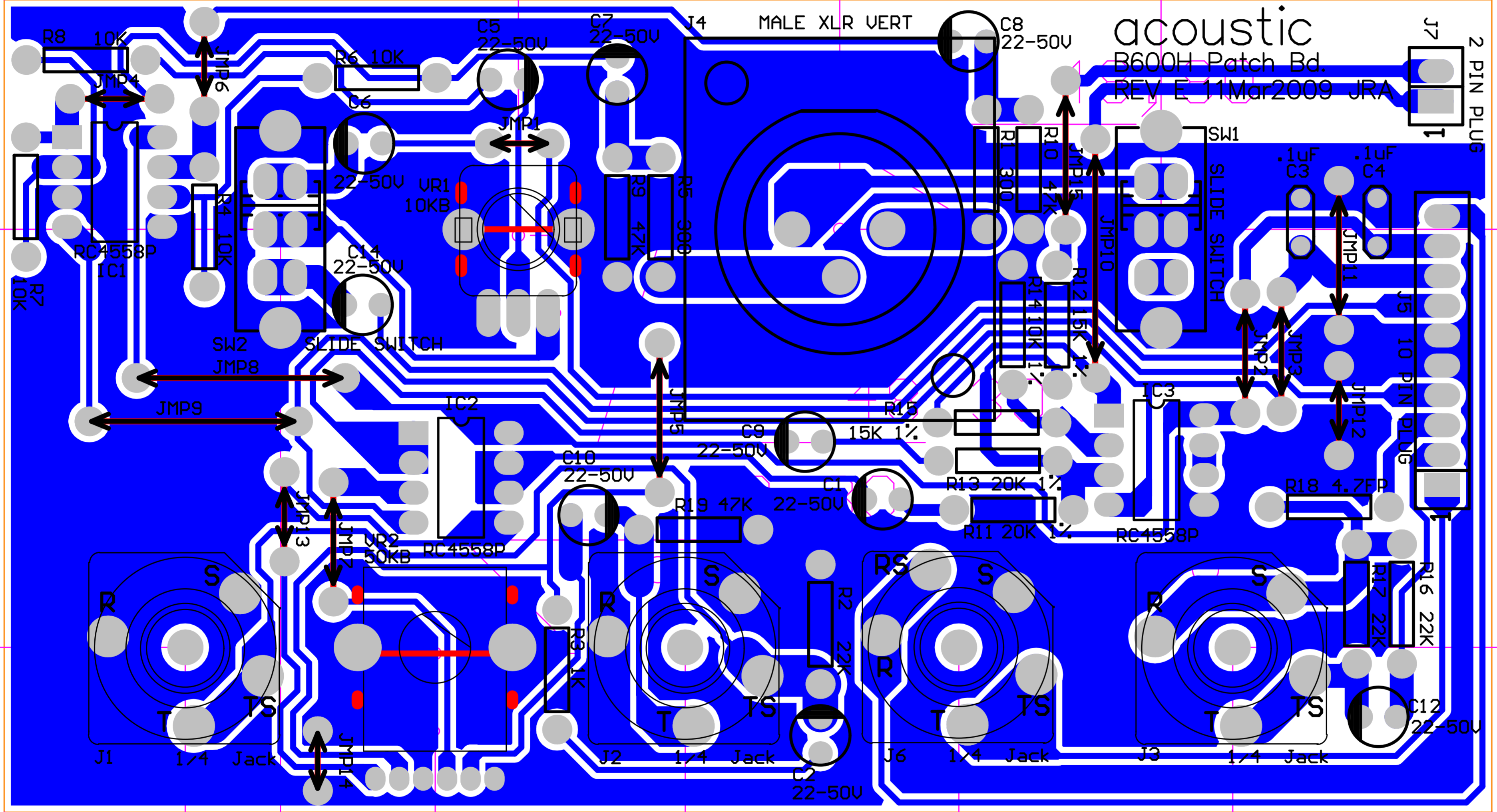
13,80

0,00

43,20

70,20

97,20



48,80

13,80

0,00

15,20

23,20

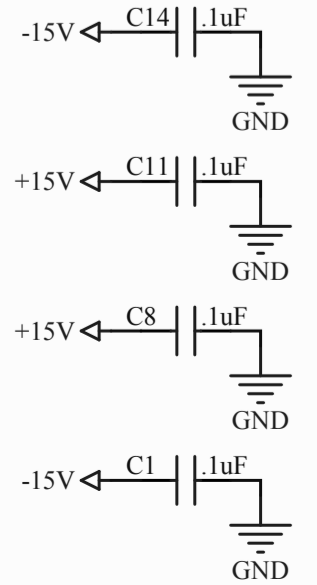
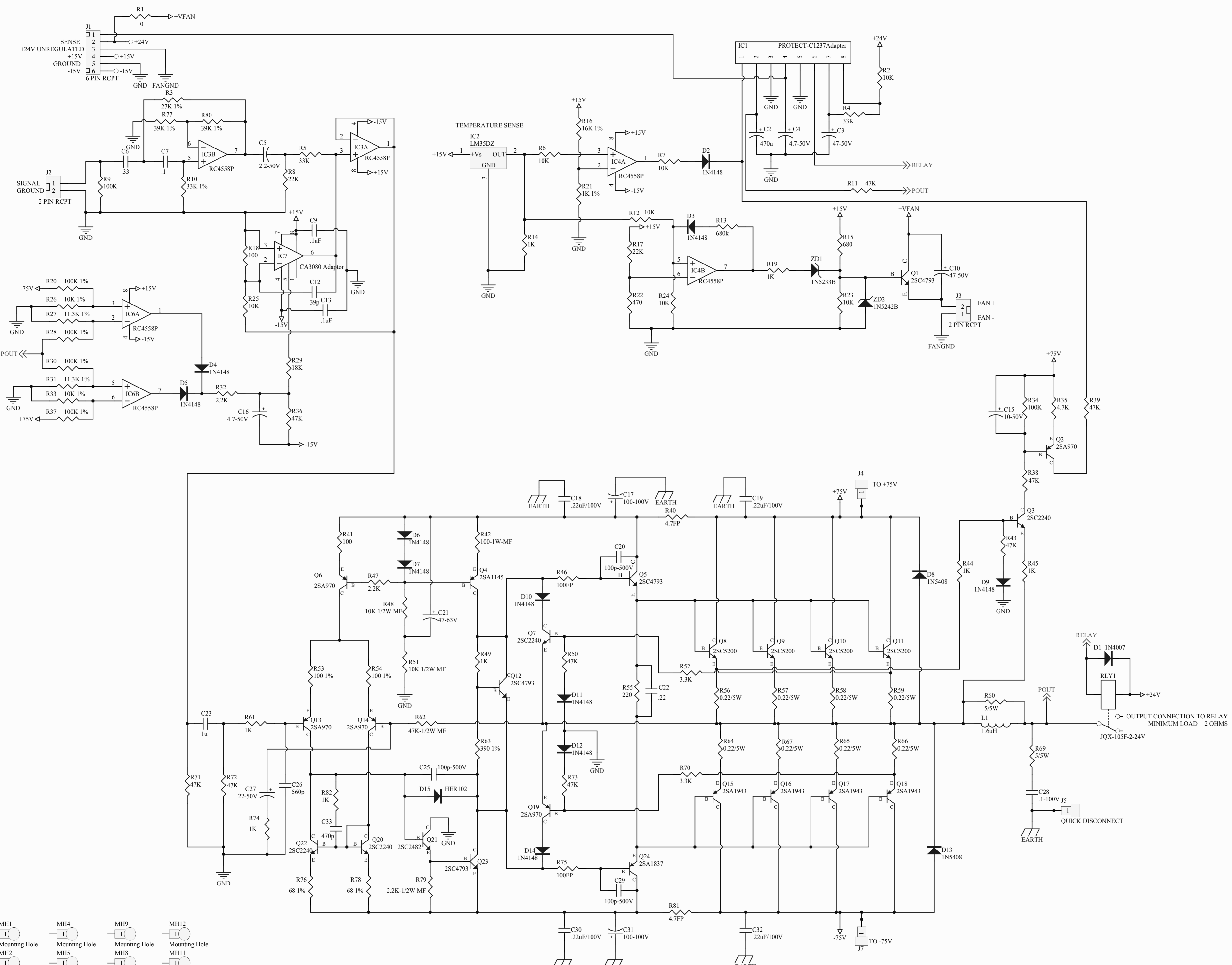
36,20

57,20

80,20

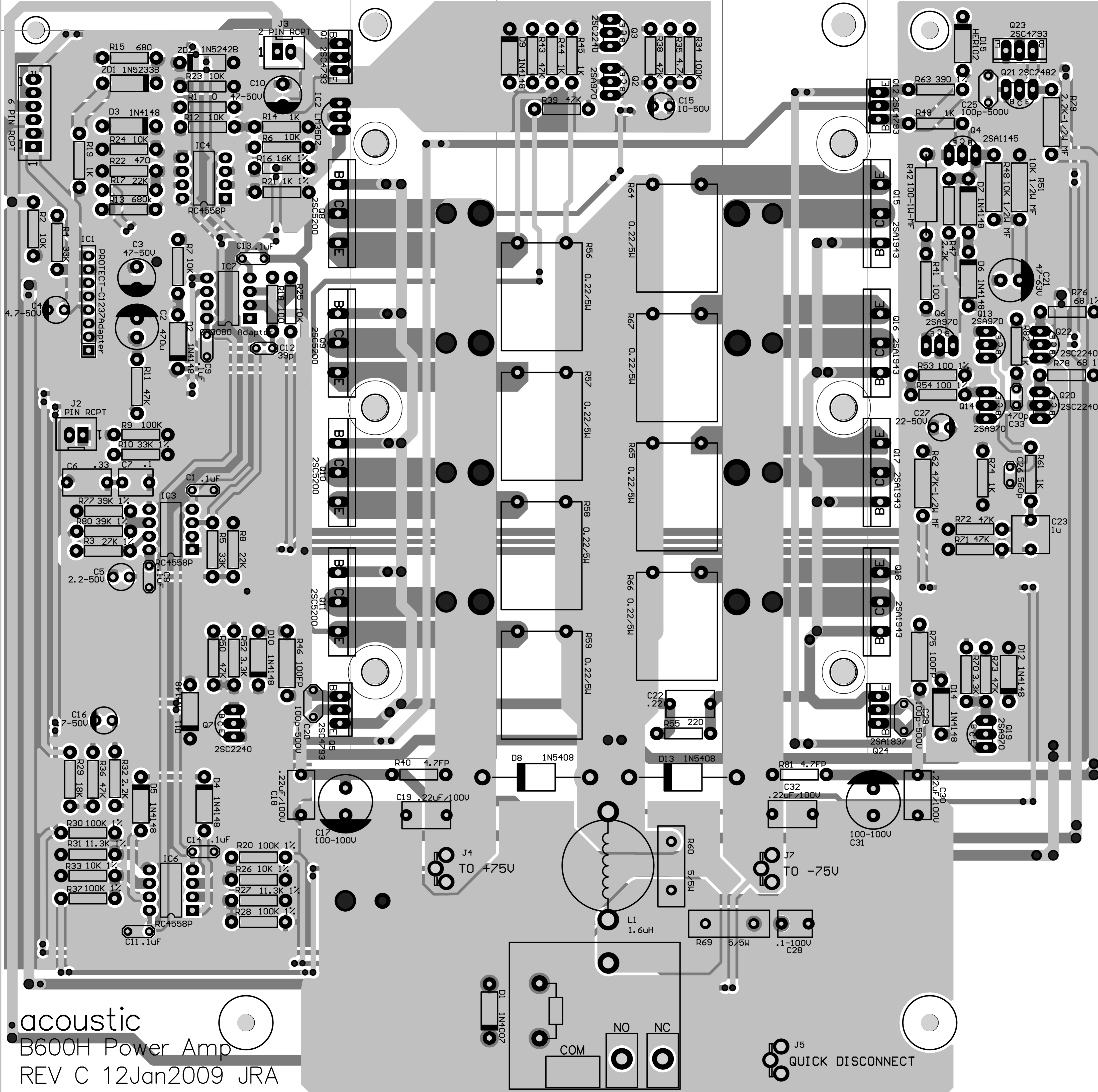
103,20

125,00

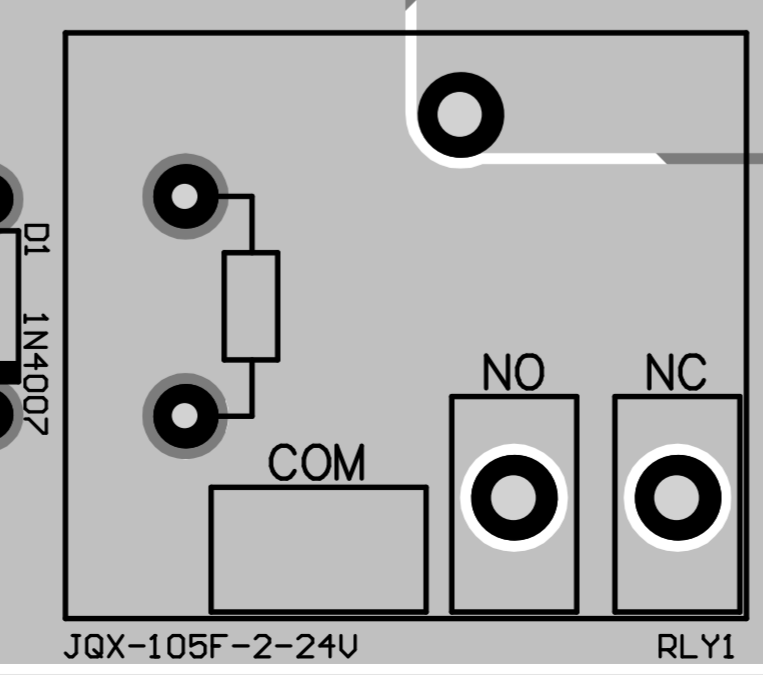


- MH1 Mounting Hole
- MH2 Mounting Hole
- MH3 Mounting Hole
- MH4 Mounting Hole
- MH5 Mounting Hole
- MH6 Mounting Hole
- MH7 Mounting Hole
- MH8 Mounting Hole
- MH9 Mounting Hole
- MH10 Mounting Hole
- MH11 Mounting Hole
- MH12 Mounting Hole

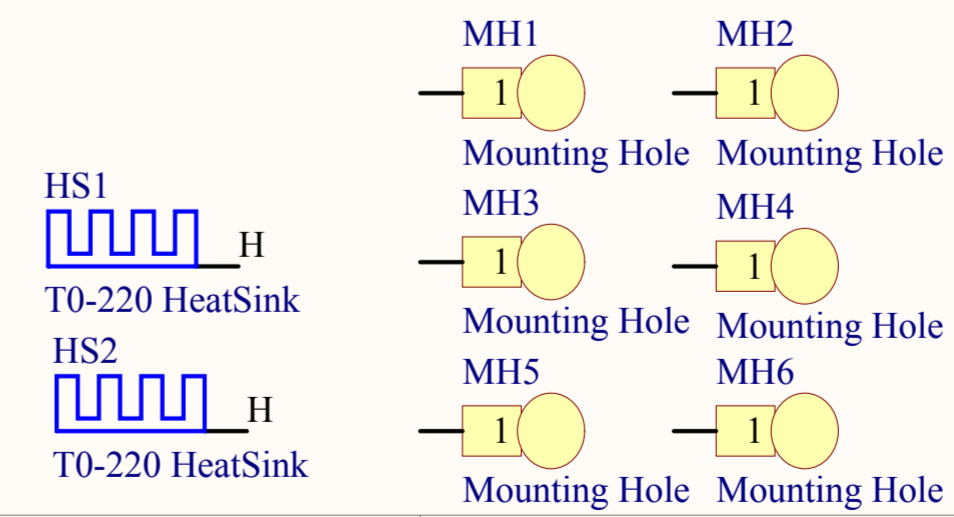
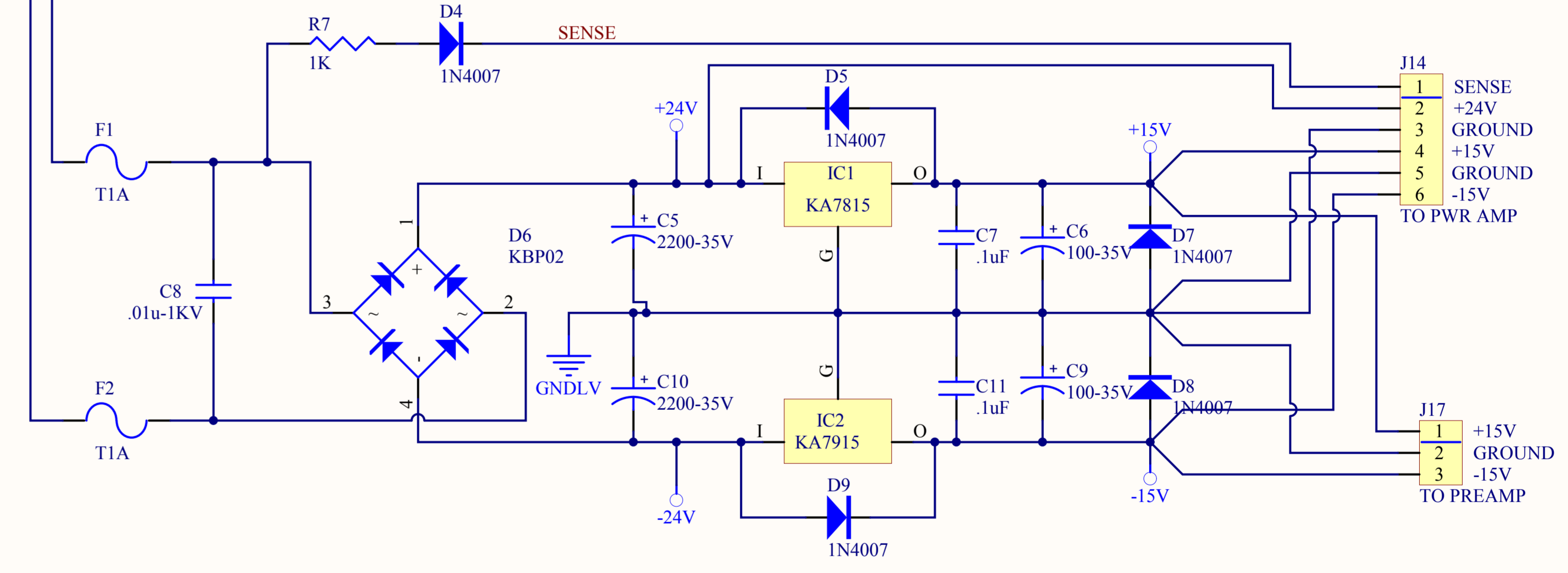
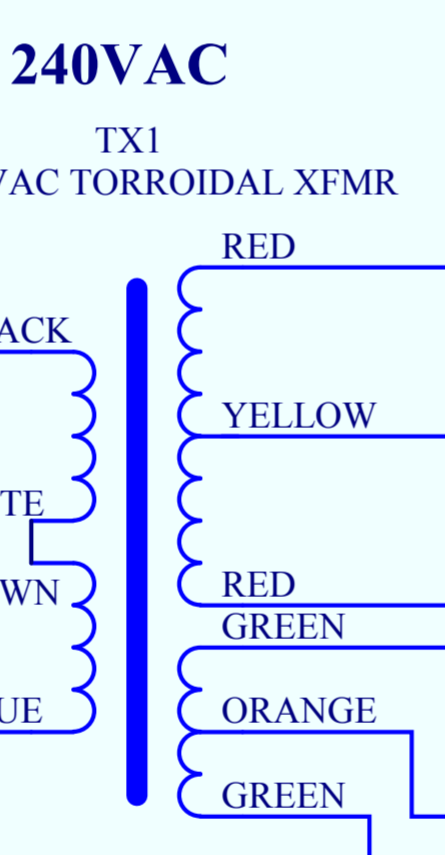
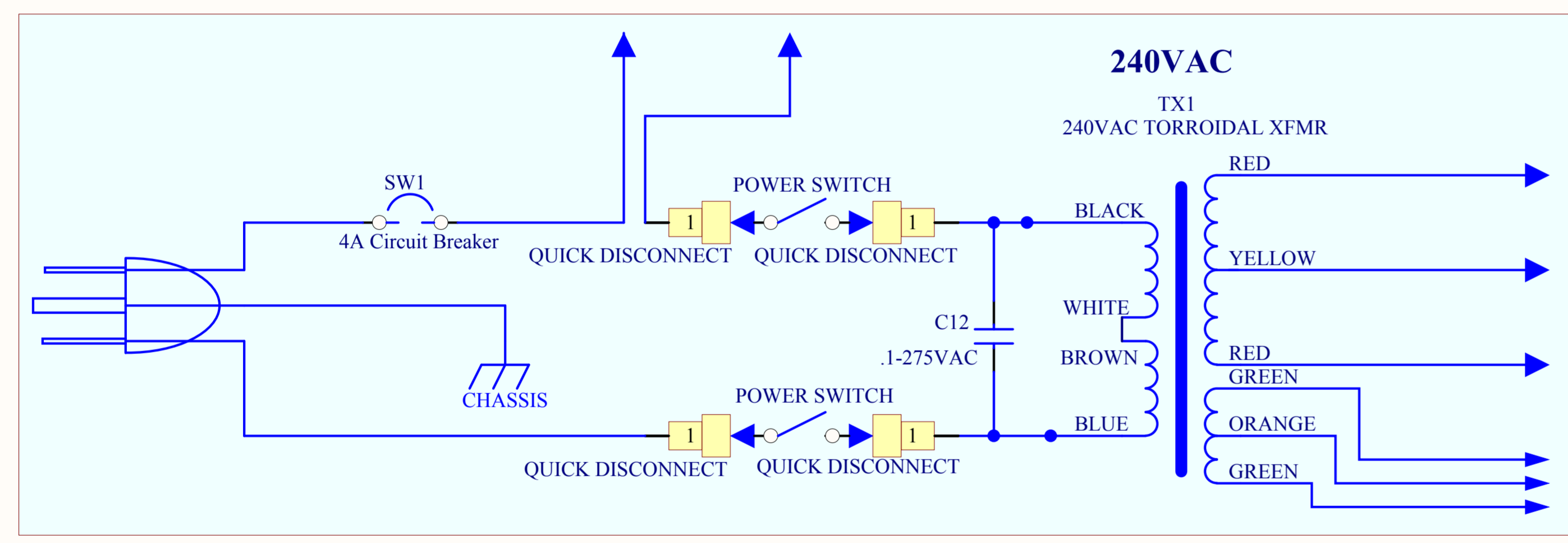
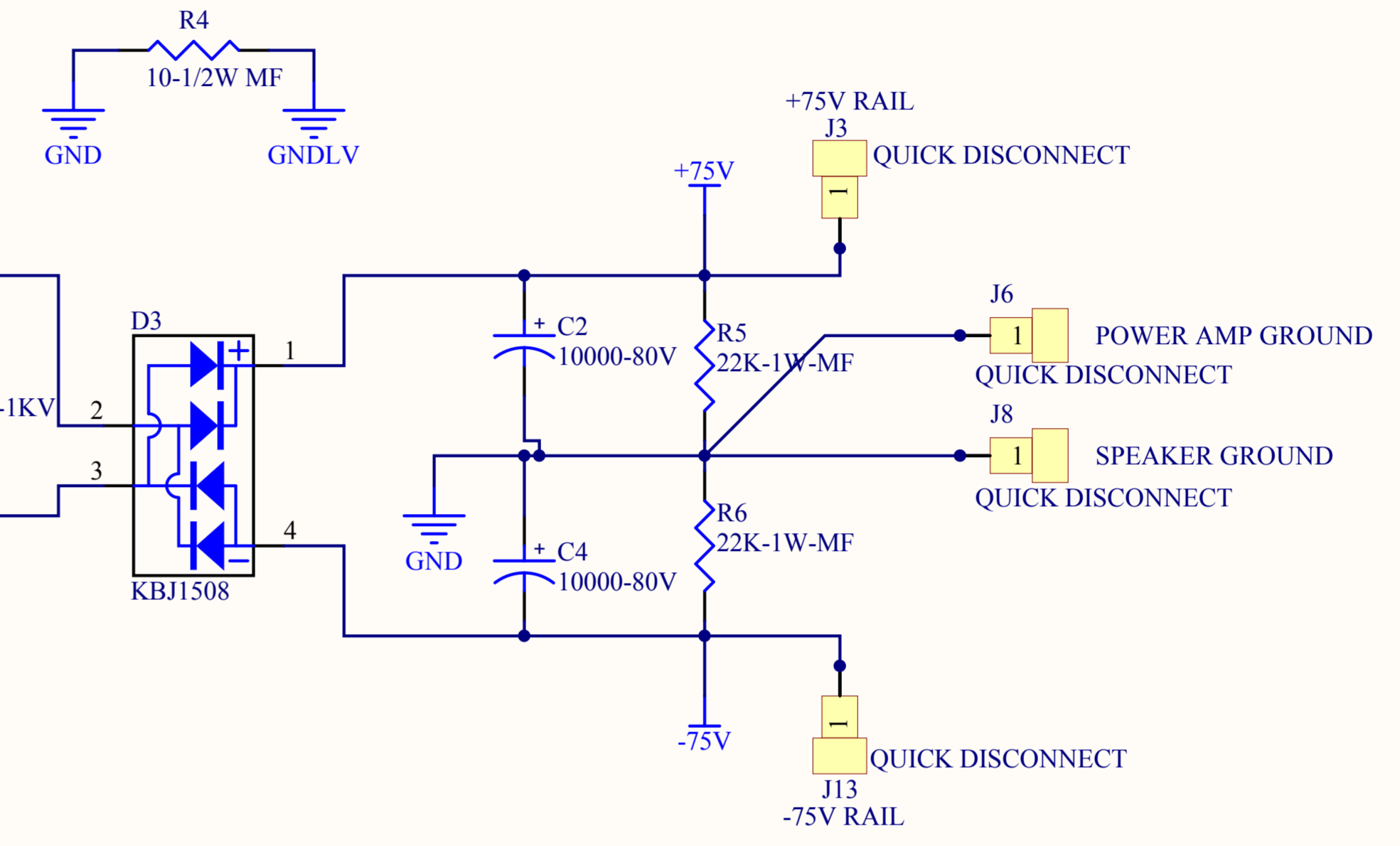
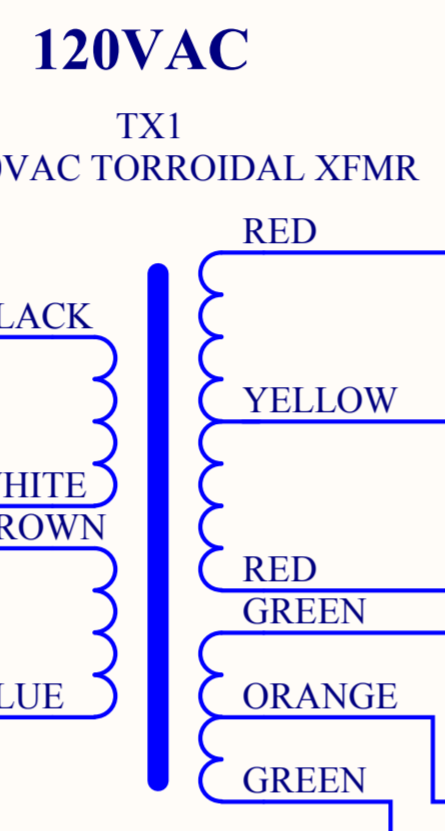
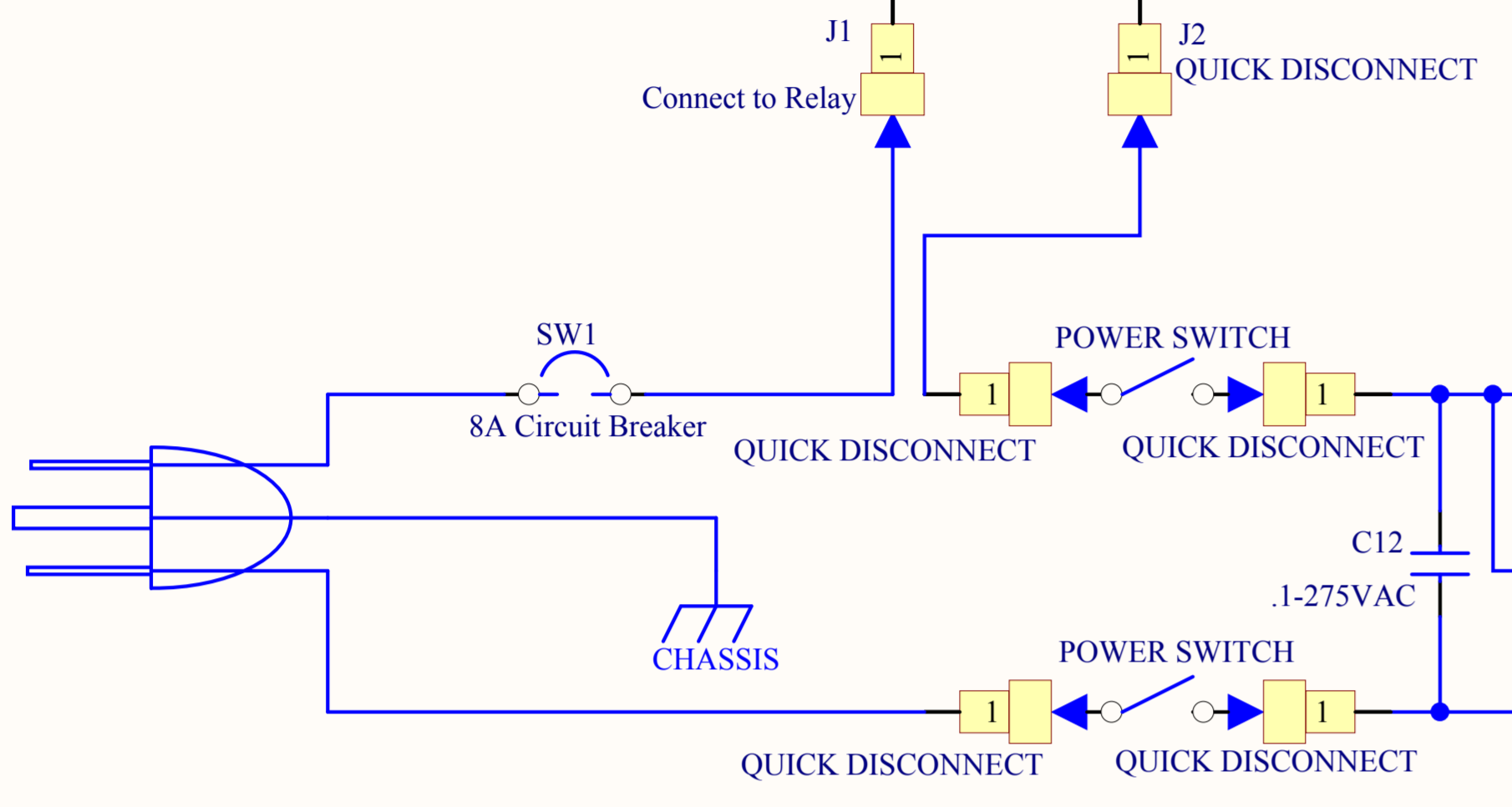
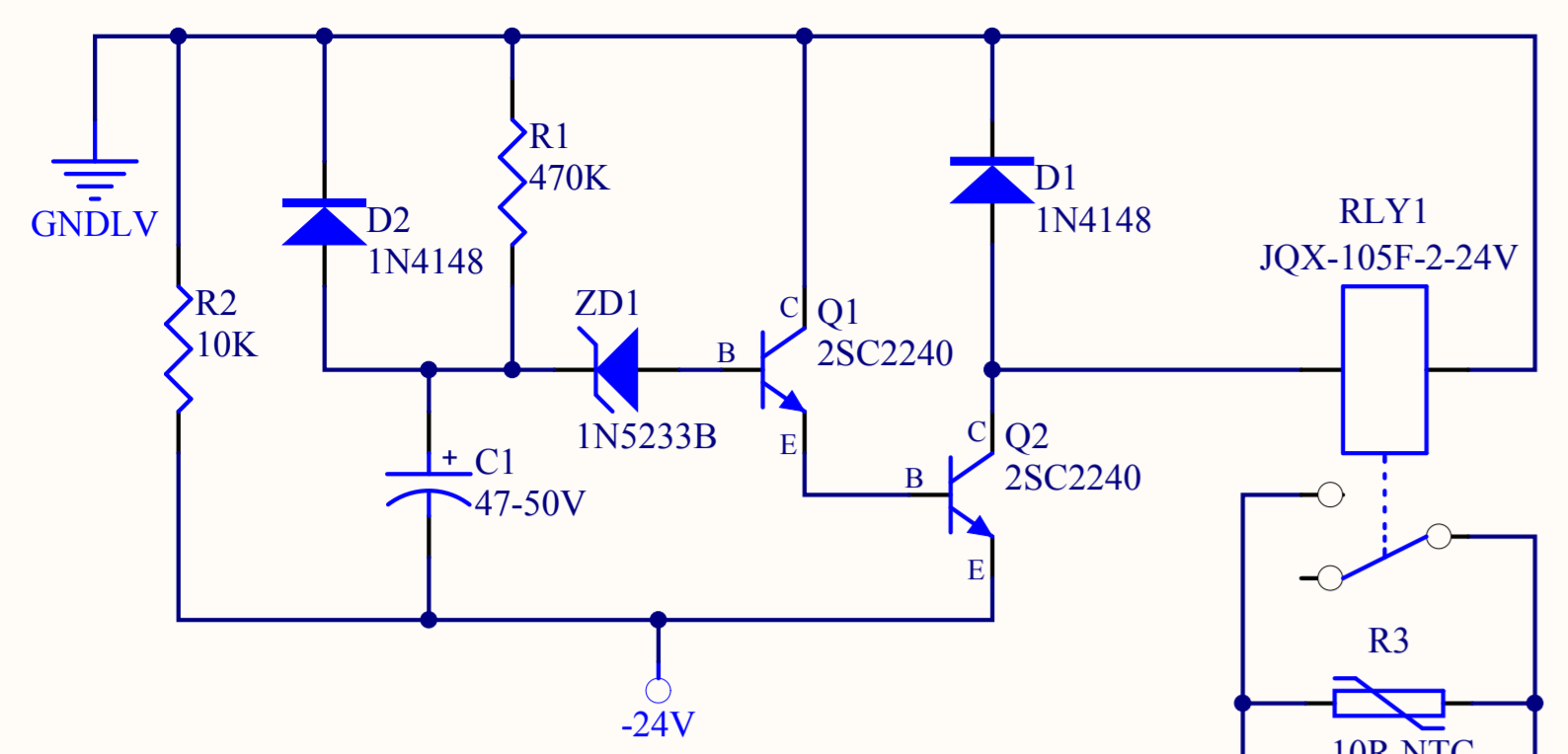
Title Acoustic B600H Power Amplifier		
Size C	Number JRA	Revision Rev C
Date 5/4/2009	Sheet 1 of 1	
File: C:\Documents and Settings\B600H Power Amp\B600H Rev C 27Oct2008 JA.SchDoc		



acoustic
 B600H Power Amp
 REV C 12Jan2009 JRA

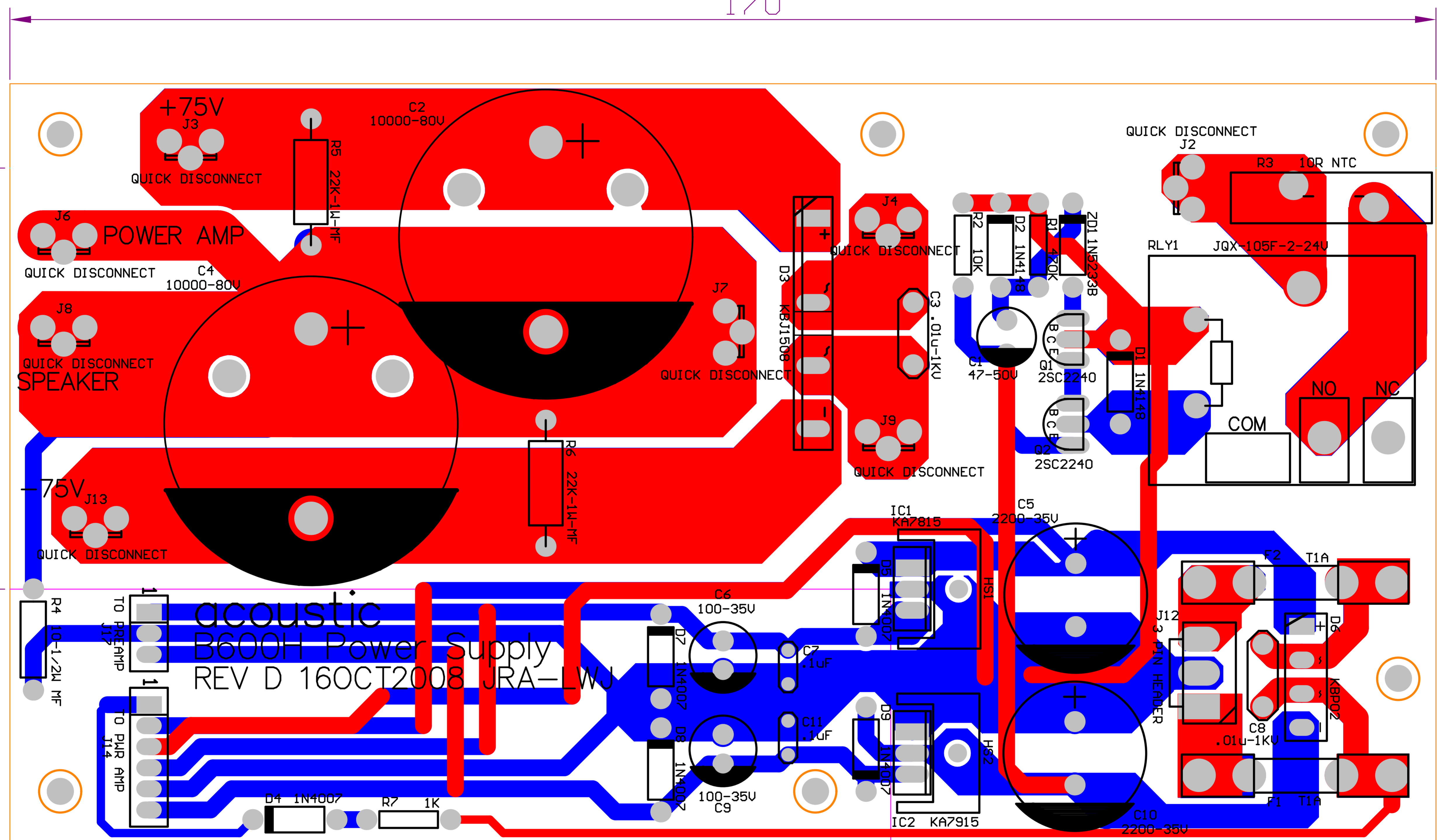


J5
 QUICK DISCONNECT



Title			
Acoustic B600H Power Supply			
Size	Number	Revision	
B	JRA	Rev D	
Date:	4/23/2009	Sheet of	
File:	C:\Documents and Settings\...B600H Power Supply Rev D 5Dec2008 JA.SchDoc		

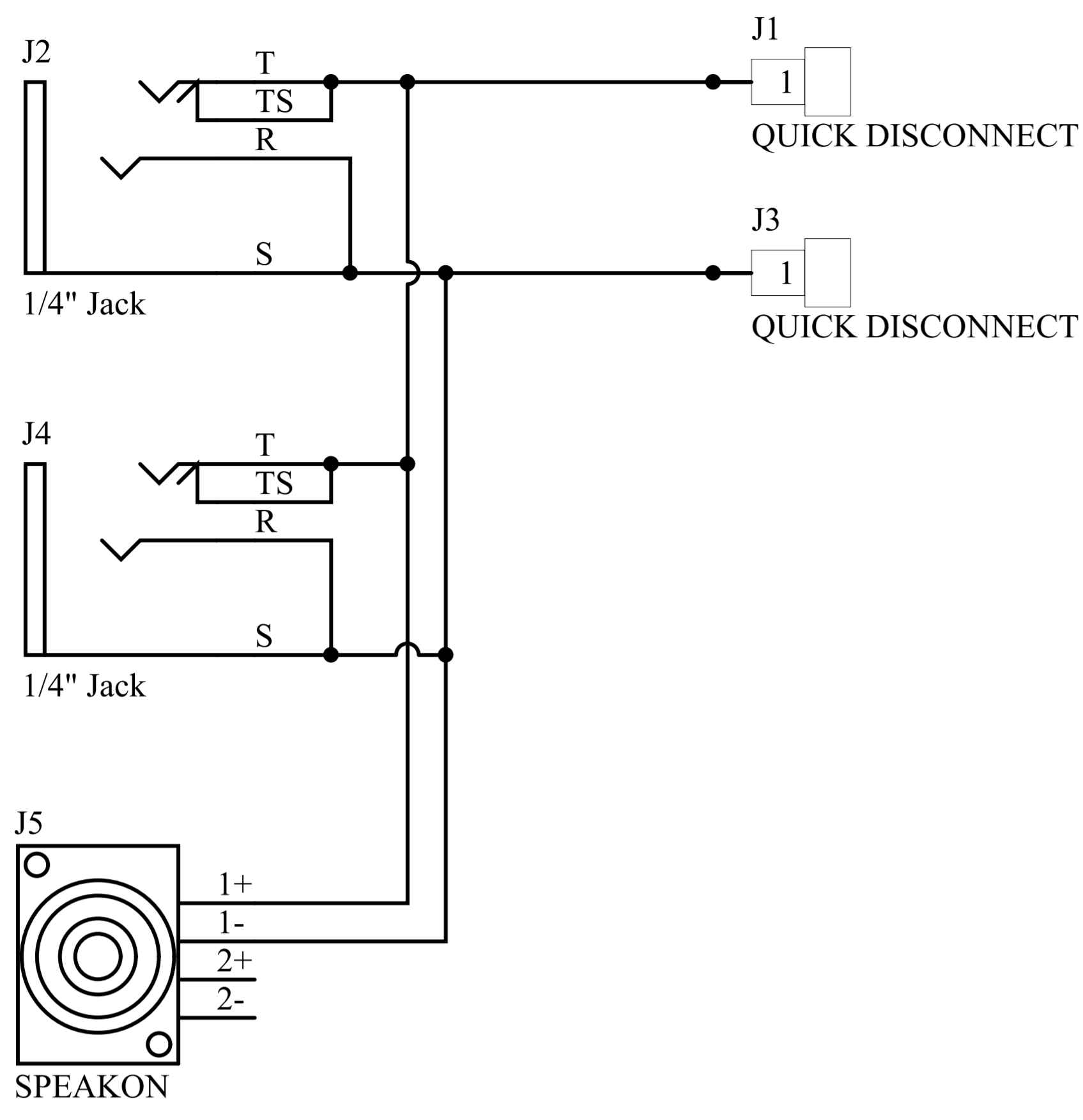
170



80

30

105



Title			B600H Speaker Jack Board		
Size	Number		Revision		
A			Rev B		
Date:	5/12/2009		Sheet 1 of 1		
File:	C:\Documents and Settings\...B600H Speaker Jack Rev B.rtd JA.SchDoc				

60,00

40,80

25,80

10,80

0,00

