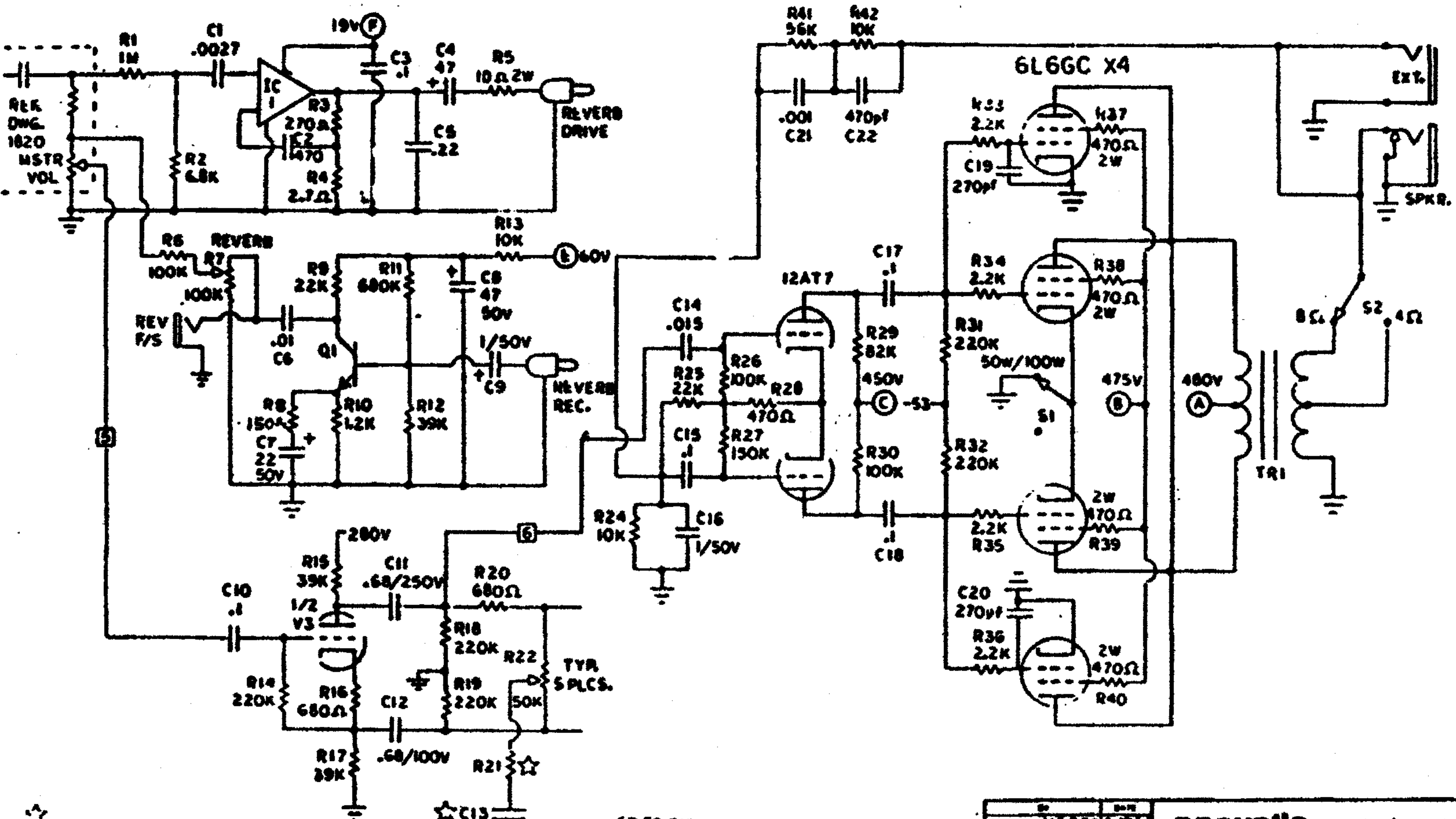


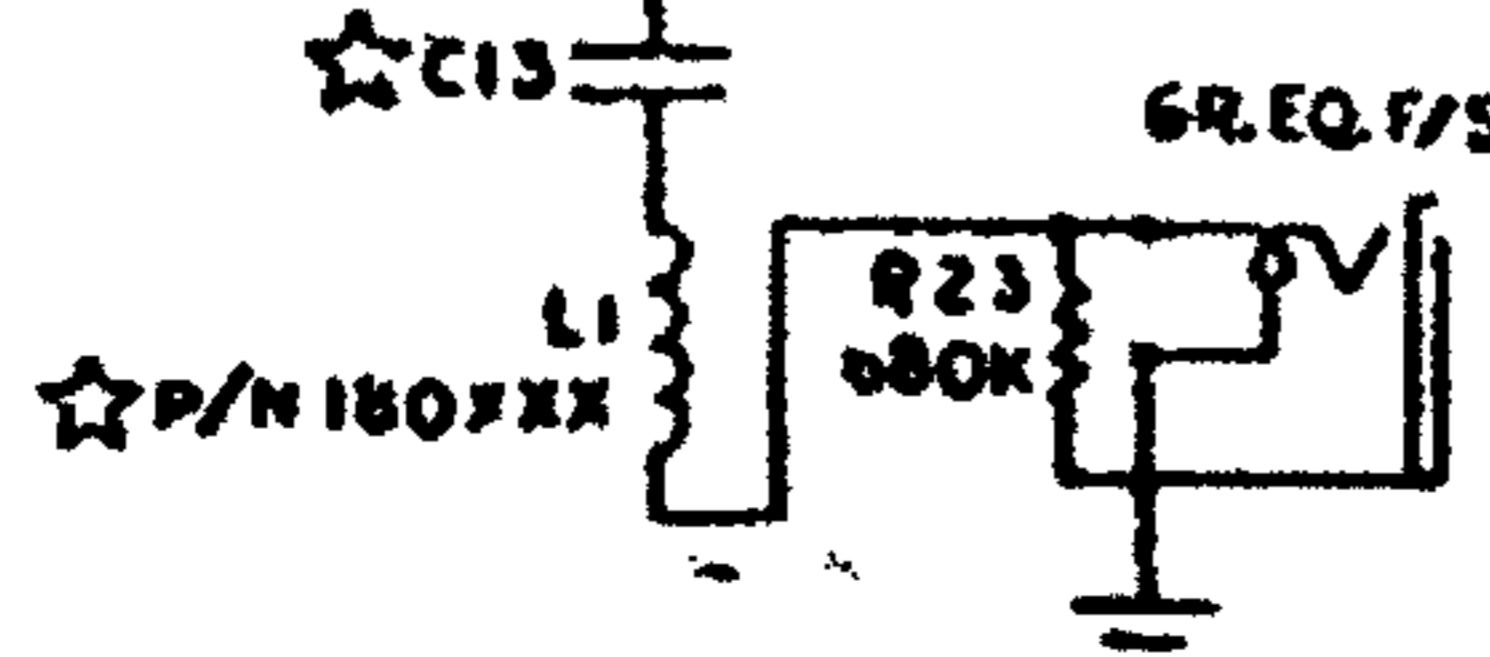
6. ALL TUBES ARE 12AX7A/ 7028  
 4.  REF PCB CALLOUTS.  
 3.  REF. PWR SUP SCHEM. (1819).  
 2. ALL RESISTORS 1/2 WATT UNLESS OTHERWISE NOTED  
 1. ALL CAPACITORS IN  $\mu\text{f}$  UNLESS OTHERWISE NOTED.
- NOTES:

BY S.M. PANG	DATE 11-7-71	<b>acoustic</b>	
ENCLOSURE		TITLE <b>PREAMP SCHEMATIC MODEL G100T</b>	
PROPRIETARY INFORMATION		DATE	DRAWING NO.
		11-7-71	1820
		DATE	PART NO.
			1820
DO NOT SCALE THIS PRINT			

LM383 IC

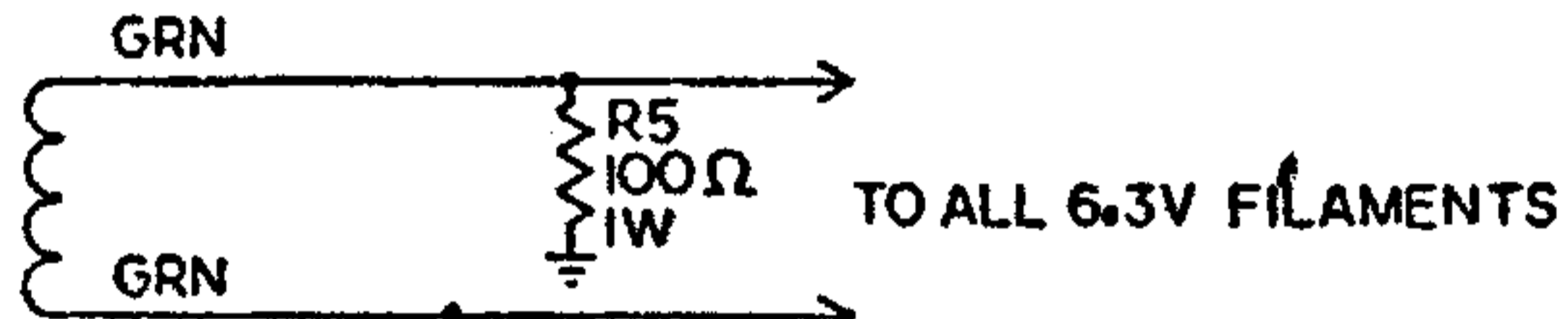
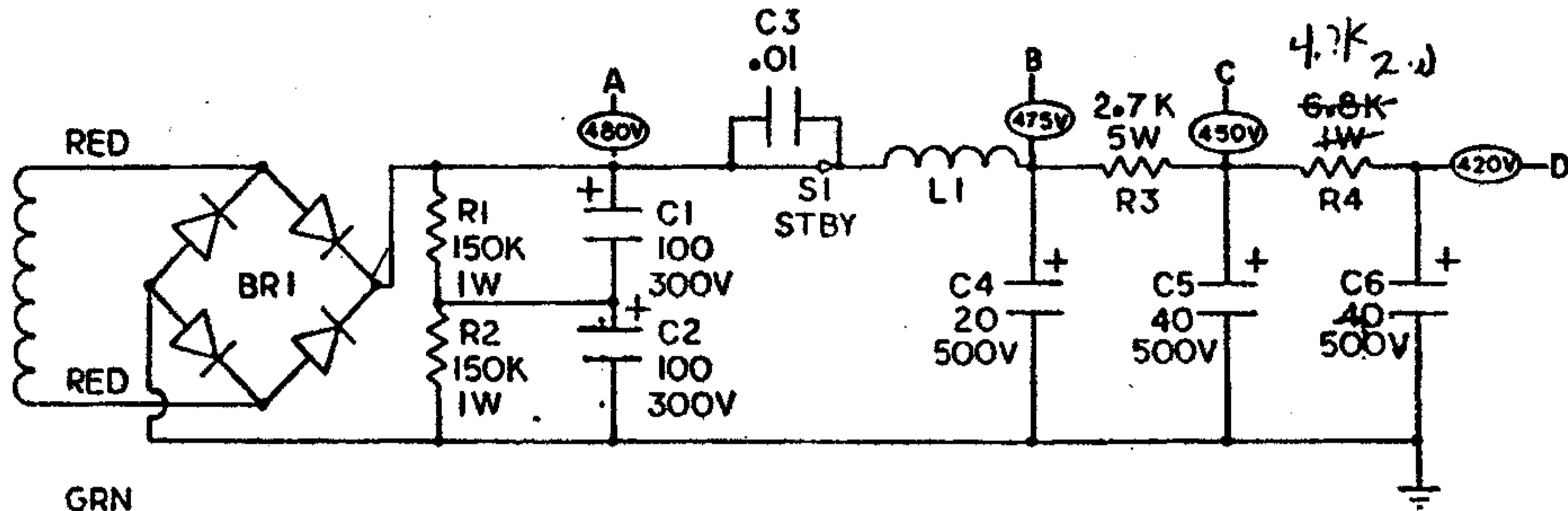


FREQ.	100	220	800	2.5K	5K
L1	.007	.006	.005	.003	.012
R21	1.2K	820	620	1K	1.2K
C13	.68	.15	.039	.015	.0068

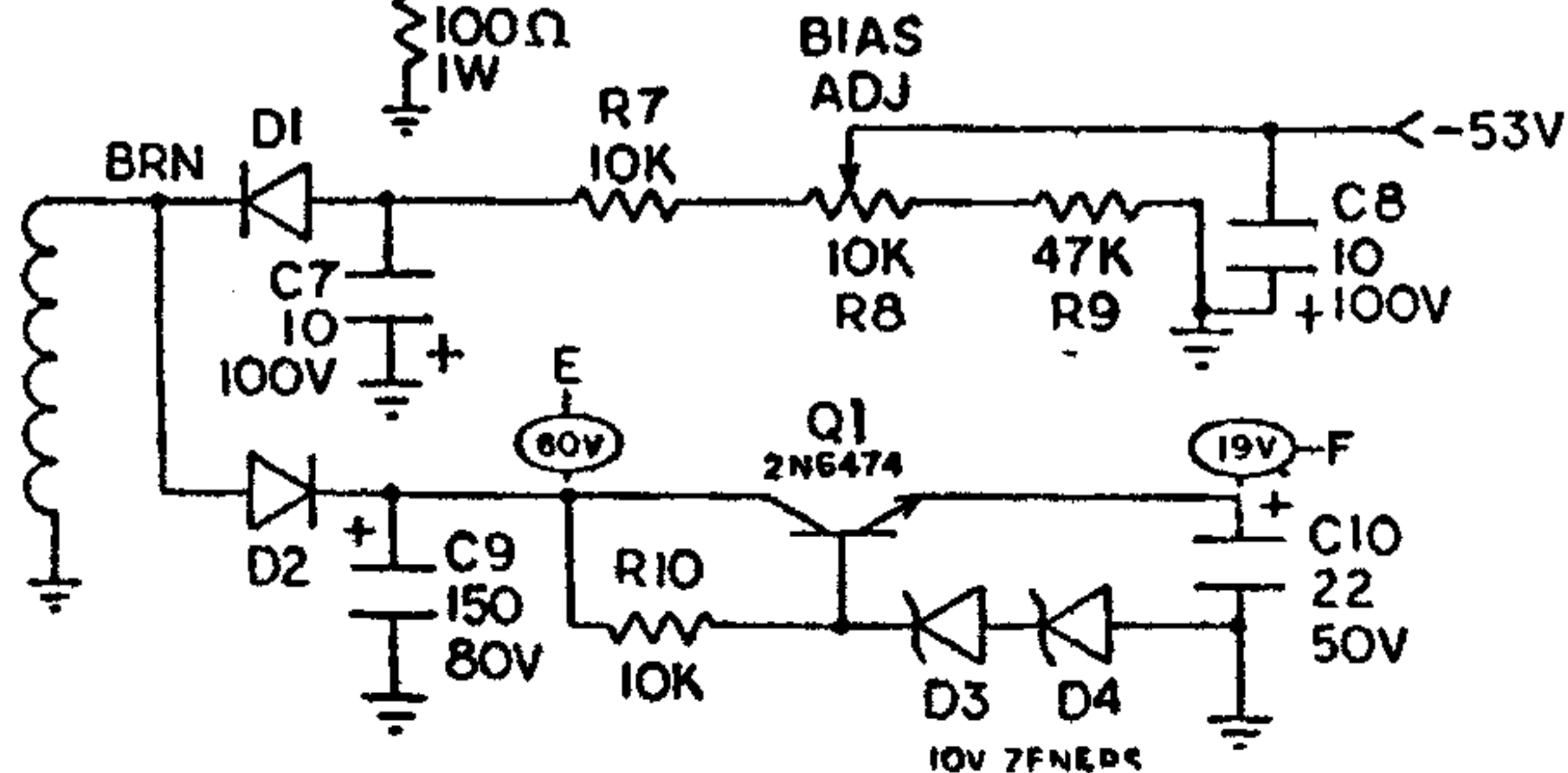


- NOTES:
- 1. ALL CAPACITORS IN MFD UNLESS OTHERWISE NOTED.
  - 2. ALL RESISTORS 1/2 WATT UNLESS OTHERWISE NOTED.
  - 3. ○ REF. PWR. SUP. SCHEM. (1010)
  - 4. □ REF. PCB CALLOUTS.
  - 5. 61-000 200

<p>DESIGNED BY: <u>W. R. B. / J. T. S.</u></p> <p>APPROVED BY: <u>W. R. B. / J. T. S.</u></p>		<p><b>acoustic control corp</b></p> <p>500 Ave. California 91400</p>	
<p>PROPRIETARY INFORMATION</p> <p>Any disclosure of this information to any other person without the written consent of Acoustic Control Corp. is strictly prohibited.</p>		<p>TITLE: <b>SCHEMATIC</b></p> <p><b>NEVERB, GR. EQ., POWER AMP</b></p> <p><b>MODEL 910DT</b></p>	
DATE:	REVISED BY:	DATE:	REVISED BY:
8			
<p>PART NO. <b>1821</b></p>		<p>DO NOT SCALE THIS PART</p>	



- NOTES:
1. ALL CAPACITORS IN MFD.
  2. ○ DC VOLTAGE FROM GND., NO SIG. APPLIED.
  3. ALL RESISTORS 1/2W UNLESS NOTED OTHERWISE.



97 96	Acoustic Control Corp. 1819	<b>ACOUSTIC control corp</b> van Nuys, California 91410
TITLE <b>POWER SUPPLY SCHEMATIC          MODELS Q907 &amp; Q1007</b>	DATE <b>1819</b>	
DO NOT ALTER THIS POINT		