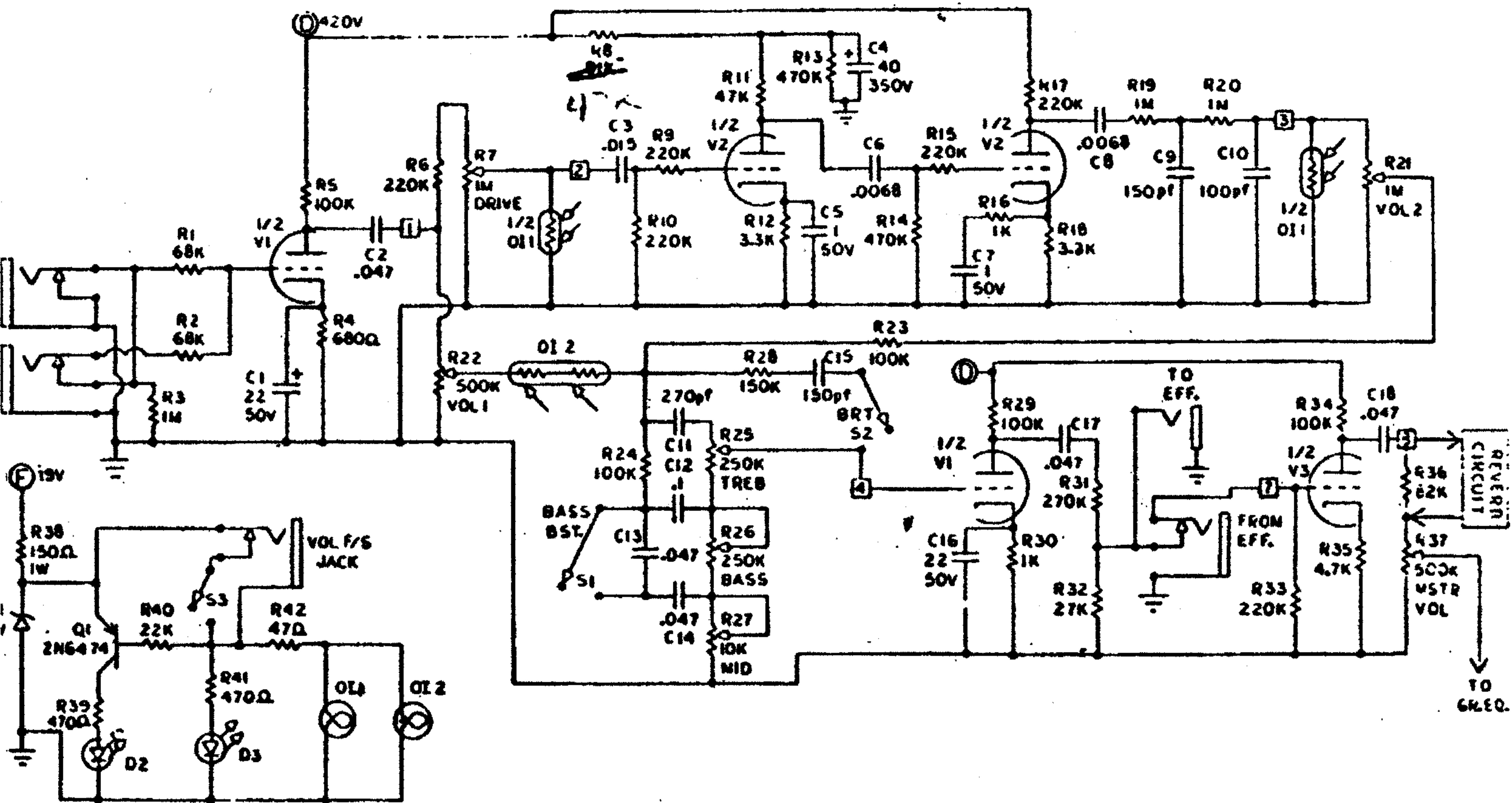


- NOTES:
1. ALL CAPACITORS IN MFD.
 2. ○ DC VOLTAGE FROM GND., NO SIG. APPLIED.
 3. ALL RESISTORS 1/2W UNLESS NOTED OTHERWISE.

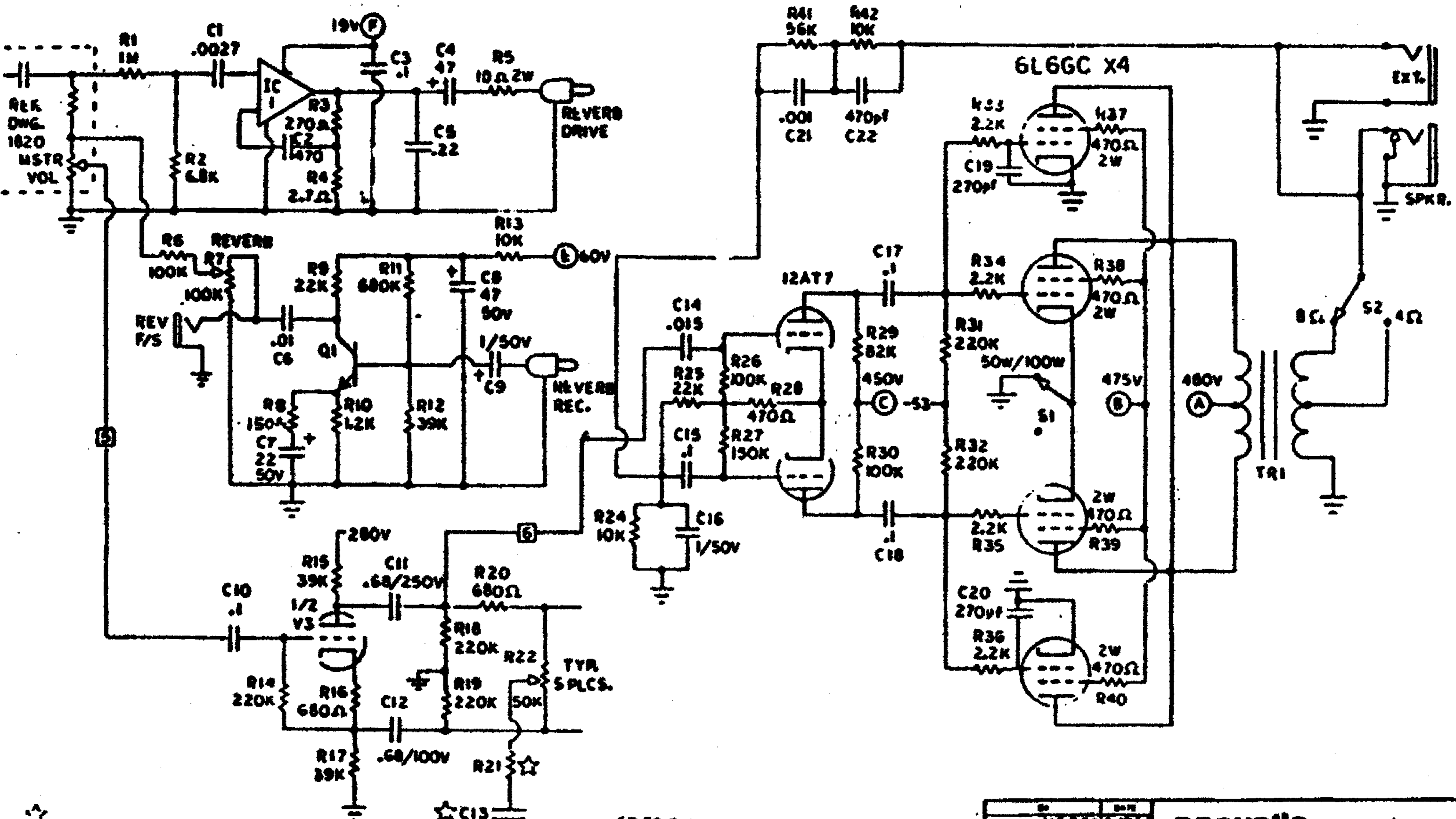
BY	DATE	Acoustic control corp van Nuys, California 91406
DRAWN <i>S.W. BARK</i> CHECKED <i>J.B.</i> APPROVED <i>S.W. BARK</i>	7-11-57 7-11-57 7-27-57	
PROPRIETARY INFORMATION ALL INFORMATION CONTAINED IN THIS DOCUMENT IS THE PROPERTY OF Acoustic control corp. and is to be furnished only to those persons authorized by Acoustic control corp.		
TITLE POWER SUPPLY SCHEMATIC MODELS G80T & G100T		SIZE B
DRAWING NO. CODE	PART NO. 1819	



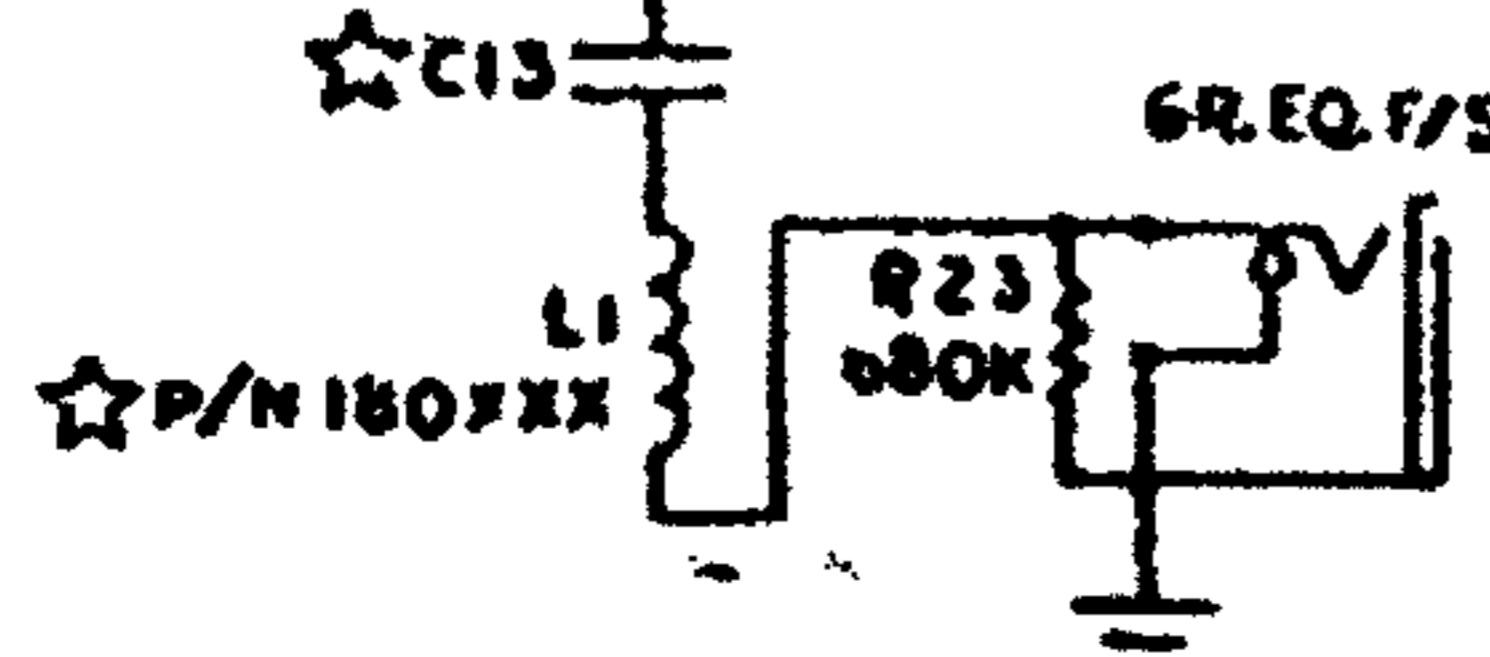
- NOTES:
1. ALL CAPACITORS IN μF UNLESS OTHERWISE NOTED.
 2. ALL RESISTORS 1/2 WATT UNLESS OTHERWISE NOTED
 3. ○ REF. PWR SUP SCHEM. (1819).
 4. □ REF PCB CALLOUTS.
 5. ALL TUBES ARE 12AX7A/ 7028

BY S.M. PANG	DATE 11/11/71	acoustic	
ENCL. NO. 1	REV. 1		
PROPERTY INFORMATION All components are to be used in the original design and are not to be used in any other design without the approval of the designer.		TITLE PREAMP SCHEMATIC MODEL G100T	
DATE 11/11/71	DRAWN BY S.M. PANG	PART NO. 1820	REV. 1
DO NOT SCALE THIS PRINT			

LM383 IC

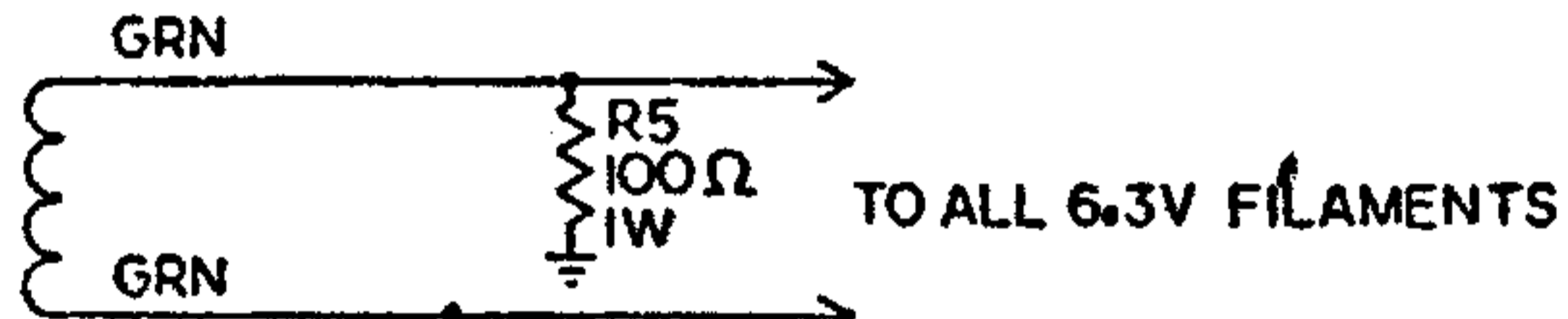
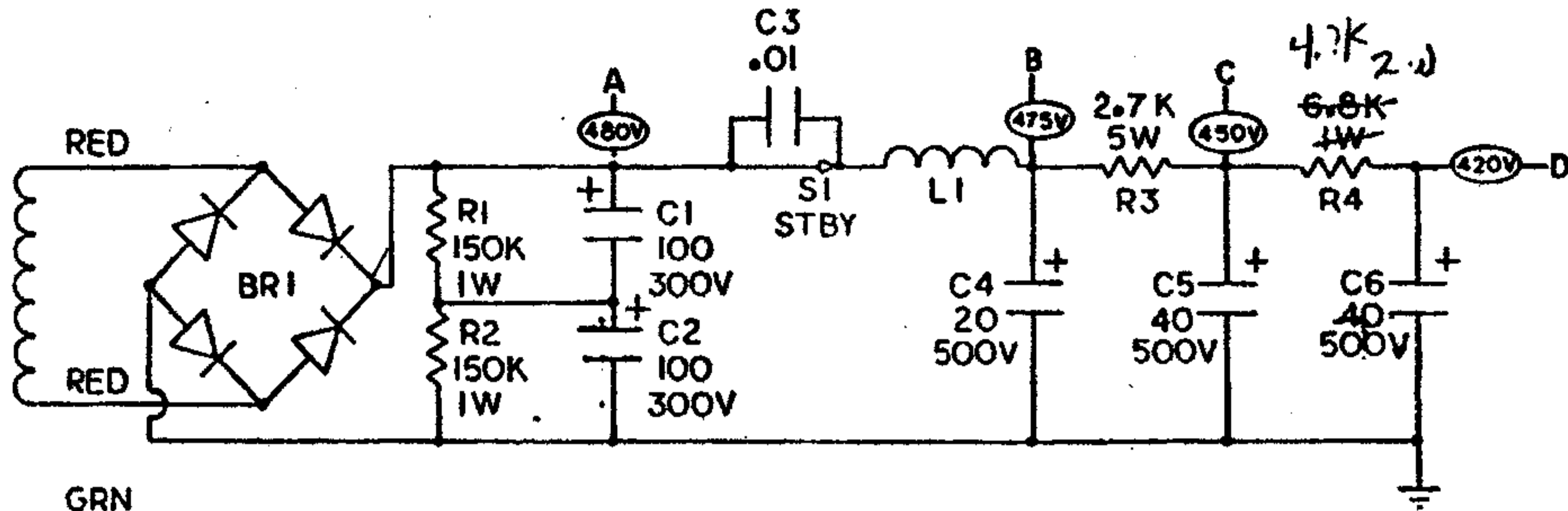


FREQ.	100	220	800	2.5K	5K
L1	.007	.006	.005	.003	.012
R21	1.2K	820	620	1K	1.2K
C13	.68	.15	.039	.015	.0068

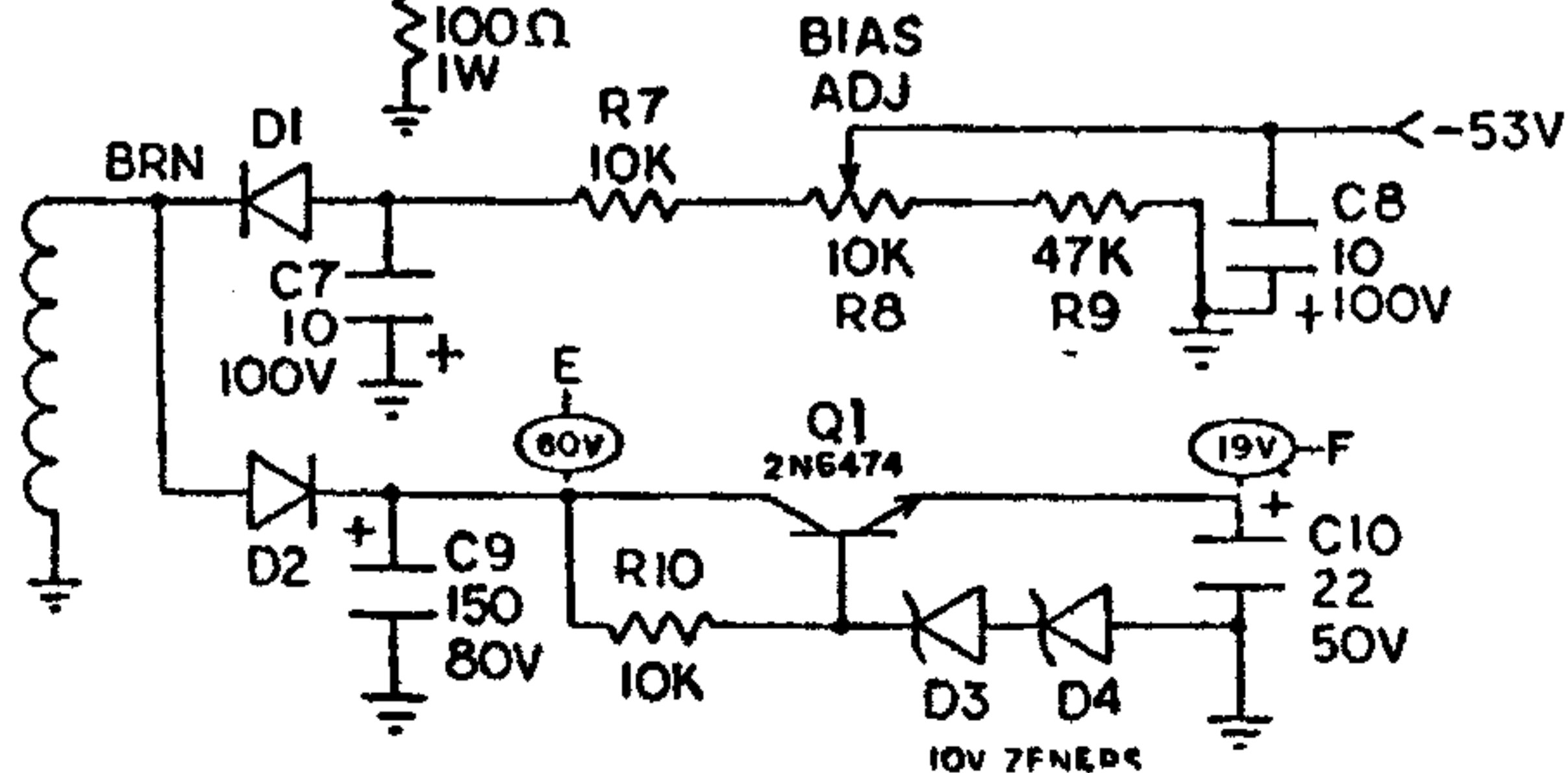


- NOTES:
1. ALL CAPACITORS IN MFD UNLESS OTHERWISE NOTED.
 2. ALL RESISTORS 1/2 WATT UNLESS OTHERWISE NOTED.
 3. REF. PWR. SUP. SCHEM. (1010)
 4. REF. PCB CALLOUTS.
 5. 61-000 200

<p>DATE: 11/21/70 DRAWN BY: J. K. B. / J. S. V. CHECKED: J. K. B. / J. S. V. APPROVED: J. K. B. / J. S. V.</p>		<p>acoustic control corp 500 Ave. California 91400</p>	
<p>PROPRIETARY INFORMATION No. 1821-001 This schematic is the property of Acoustic Control Corp. and is not to be distributed or used in any way without the written consent of Acoustic Control Corp.</p>		<p>TITLE: SCHEMATIC NEVERS, GR. EQ., POWER AMP MODEL 910DT</p>	
<p>REV: 1</p>	<p>DATE: 11/21/70</p>	<p>PART NO: 1821</p>	<p>DO NOT SCALE THIS PART</p>



- NOTES:
1. ALL CAPACITORS IN MFD.
 2. ○ DC VOLTAGE FROM GND., NO SIG. APPLIED.
 3. ALL RESISTORS 1/2W UNLESS NOTED OTHERWISE.



97 96 97	Acoustic Control Corp. 1819	ACOUSTIC control corp van Nuys, California 91410
TITLE POWER SUPPLY SCHEMATIC MODELS Q907 & Q1007	DATE 1819	DRAWN BY 1819
APPROVED BY 1819	CHECKED BY 1819	DO NOT SCALE THIS DRAWING