

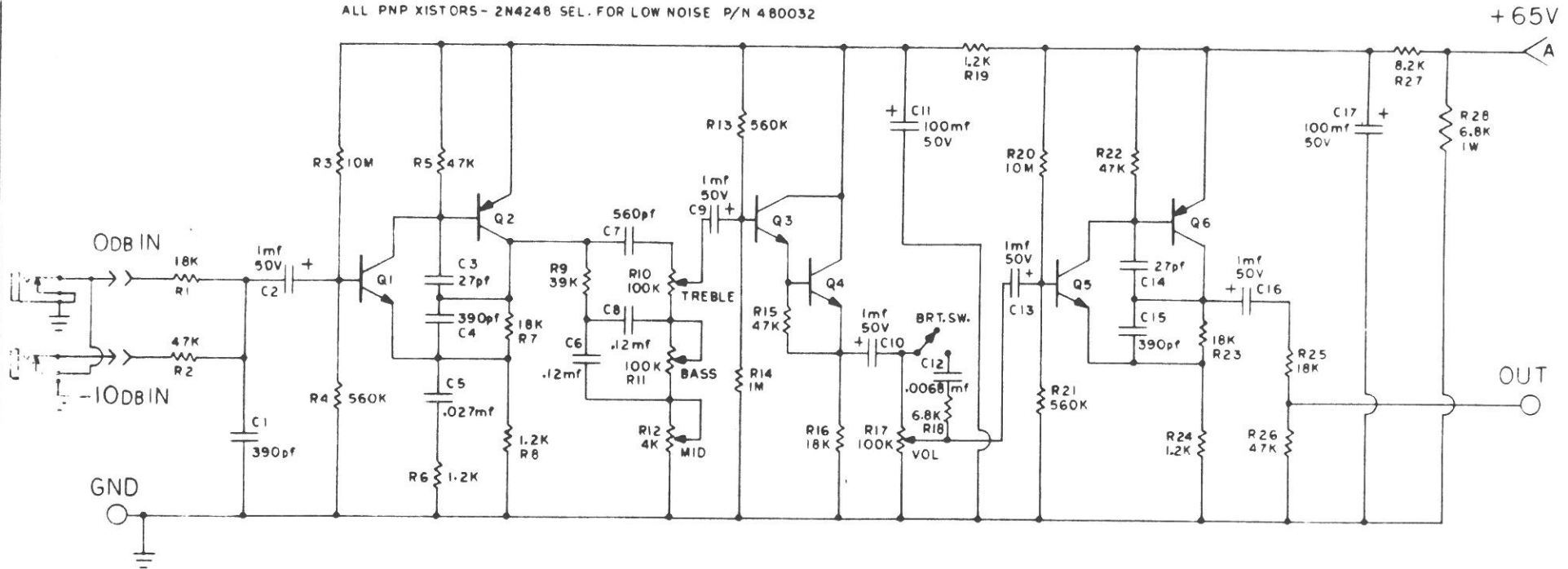
2. [] DENOTES DC VOLTAGE TO GROUND, NO INPUT SIGNAL APPLIED
ALL RESISTORS 1/2 WATT 5% UNLESS NOTED OTHERWISE

NOTES

UNLESS OTHERWISE SPECIFIED DIMENSIONS ARE IN INCHES TOLERANCES ARE		BY DATE	acoustic control corp van nuys, california 91488
FRACTIONS	ANGLES	CHECKED	
DECIMALS	HOLDS	APPROVED	TITLE LEAD PREAMP MOD. 117
MATERIALS			PROPRIETARY INFORMATION ALL INFORMATION CONTAINED IN THIS DOCUMENT IS THE PROPERTY OF acoustic control corp AND IS NOT TO BE DISCLOSED OR REPRODUCED IN ANY MANNER WITHOUT THE WRITTEN PERMISSION OF acoustic control corp.
C1720	117/118 PWR BD	DATE	REV. DRAWING NO. PART NO. 1724
NUMBER	TITLE	DATE	DO NOT SCALE THIS PRINT
RELATED DOCUMENTS			

A ← → TO PWR. SUP. BD.
MTD. ON CHASSIS

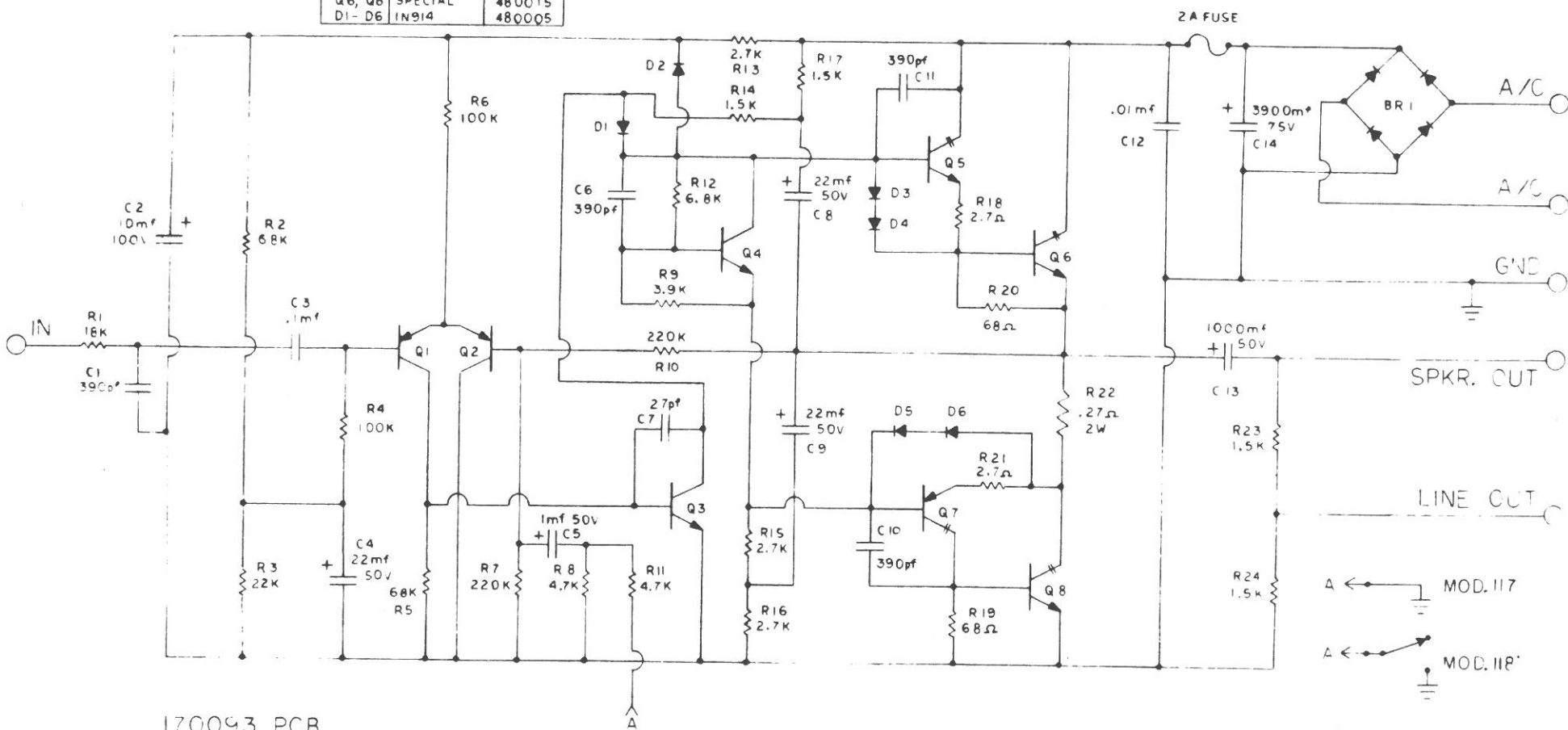
ALL NPN XISTORS - 2N2484 SEL. FOR LOW NOISE P/N 480023
ALL PNP XISTORS - 2N4248 SEL. FOR LOW NOISE P/N 480032



170094 PCB

		UNLESS OTHERWISE SPECIFIED DIMENSIONS ARE IN INCHES TOLERANCES ARE		BY	DATE	acoustic control corp van nuys, california 91406			
		FRACTIONS :	ANGLES :	DRAWN <i>S. Roe</i>	6-10-71			TITLE SCHEMATIC 118 PRE-AMP	
		DECIMALS ± .XX	HOLDS	CHECKED <i>H. Scherz</i>	5-10-71				
				APPROVED <i>H. Scherz</i>	5-10-71	PART NO. 1721	REV		
		MATERIAL		PROPRIETARY INFORMATION ALL INFORMATION CONTAINED IN THIS DOCUMENT IS THE PROPERTY OF acoustic control corp. AND IS NOT TO BE DIVULGED OR EMPLOYED IN ANY WAY WITHOUT SPECIFIC APPROVAL FROM acoustic control corp.					
C1720		PWR. BD. 170093							
NUMBER		TITLE							
RELATED DOCUMENTS						DO NOT SCALE THIS PRINT			

REF	TYPE	P/N
Q1, Q2	2N4248	480032
Q4	2N2484	480023
Q3	SPECIAL	480059
Q5	RCA 40409	480006
Q7	RCA 40410	480007
Q6, Q8	SPECIAL	480015
D1 - D6	1N914	480005



170093 PCB

		UNLESS OTHERWISE SPECIFIED DIMENSIONS ARE IN INCHES TOLERANCES ARE		BY	DATE	acoustic control corp van nuys, california 91406
		FRACTIONS :	ANGLES :	DRAWN <i>S. Rate</i>	5-8-79	
		DECIMALS :	HOLES :	CHECKED <i>H. Schaefer</i>	6-8-79	
		+ .XX	.XXX	APPROVED <i>H. Schaefer</i>	6-8-79	PROPRIETARY INFORMATION ALL INFORMATION CONTAINED IN THIS DOCUMENT IS THE PROPERTY OF acoustic control corp. AND IS NOT TO BE DIVULGED OR EMPLOYED IN ANY WAY WITHOUT SPECIFIC APPROVAL FROM acoustic control corp.
		MATERIAL		TITLE		
		PRE-FINISH		SCHEMATIC 117, 118 PWR. BD.		
C1721	PRE-AMP 170094	FINISH		SIZE	DRAWING NO	REV
NUMBER	TITLE			C	PART NO. 1720	
RELATED DOCUMENTS				SCALE	DO NOT SCALE THIS PRINT	