

+E4 VDC 3

PRINTED CIRCUIT PCA 5000A

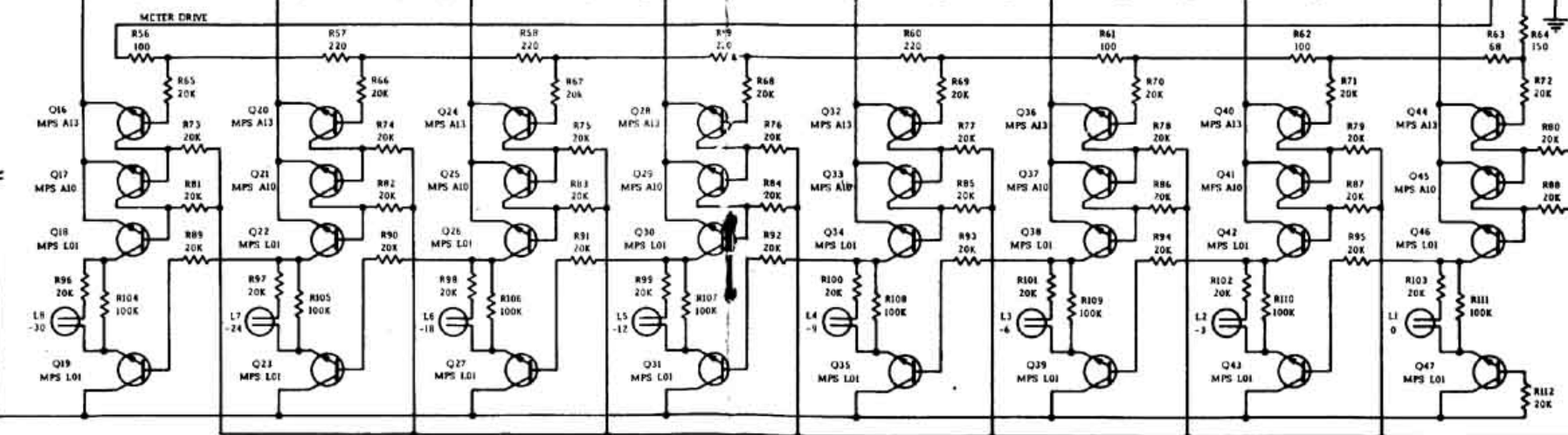
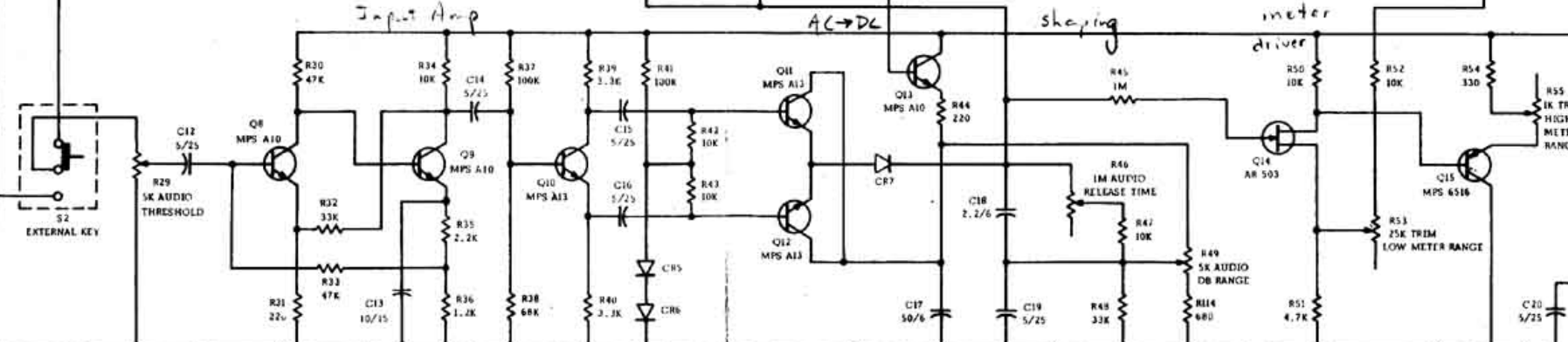
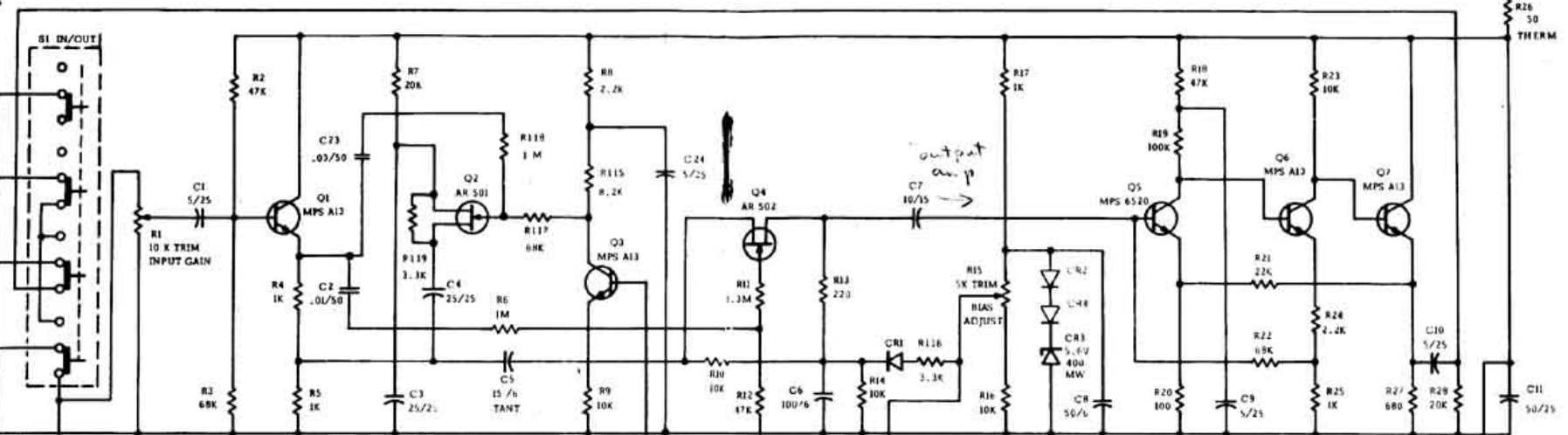
OUTPUT SIGNAL 10

INPUT SIGNAL 9

GROUND 5A

KEYING SIGNAL 7

+100 VDC 1



R26 50 THERM

output amp
Q7 10/75

Input Amp

AC-DC

shaping

meter driver

METER DRIVE