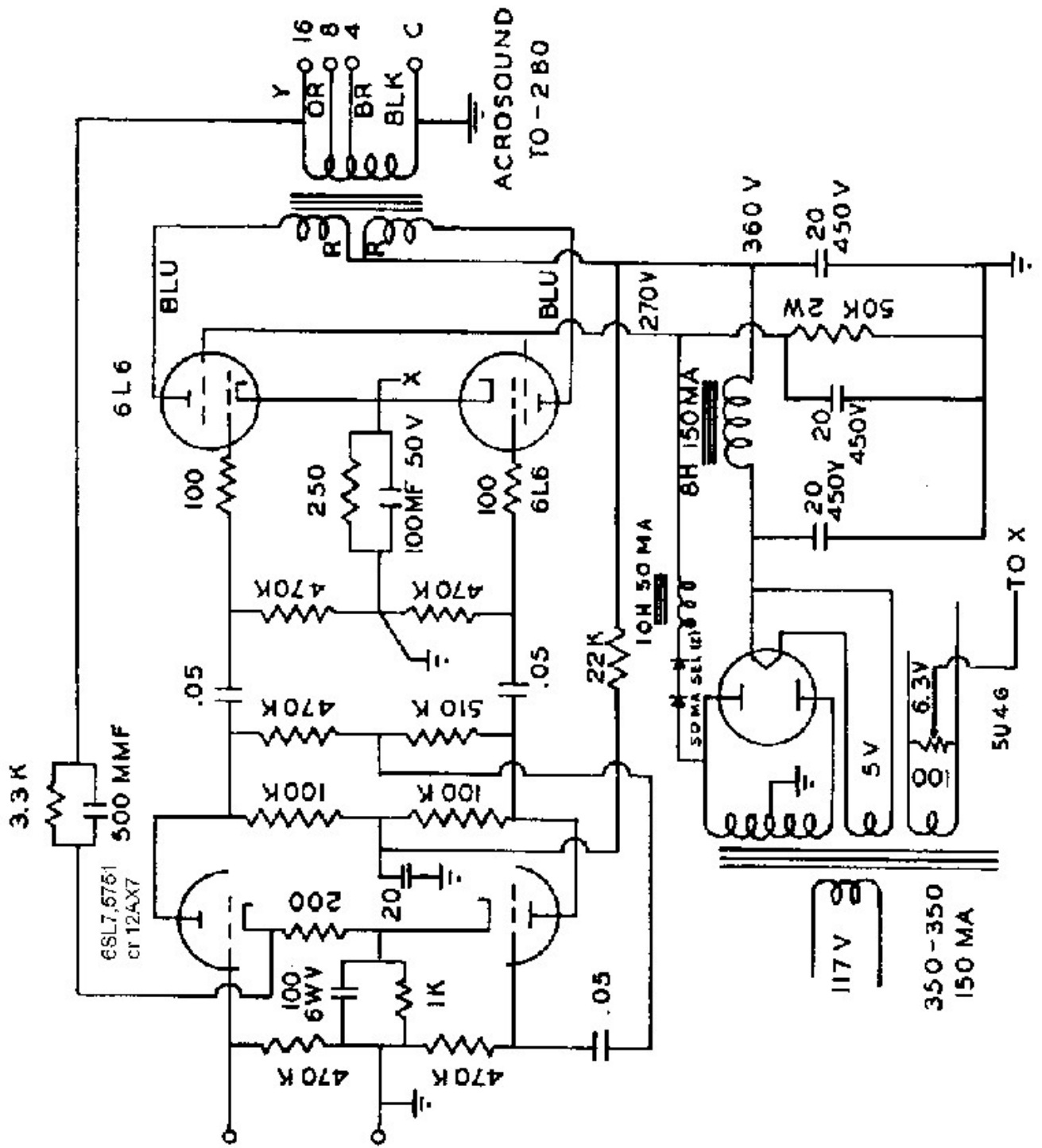


6L6 CIRCUIT WITH TO-280 TRANSFORMER



Acro 6L6
Tetrode