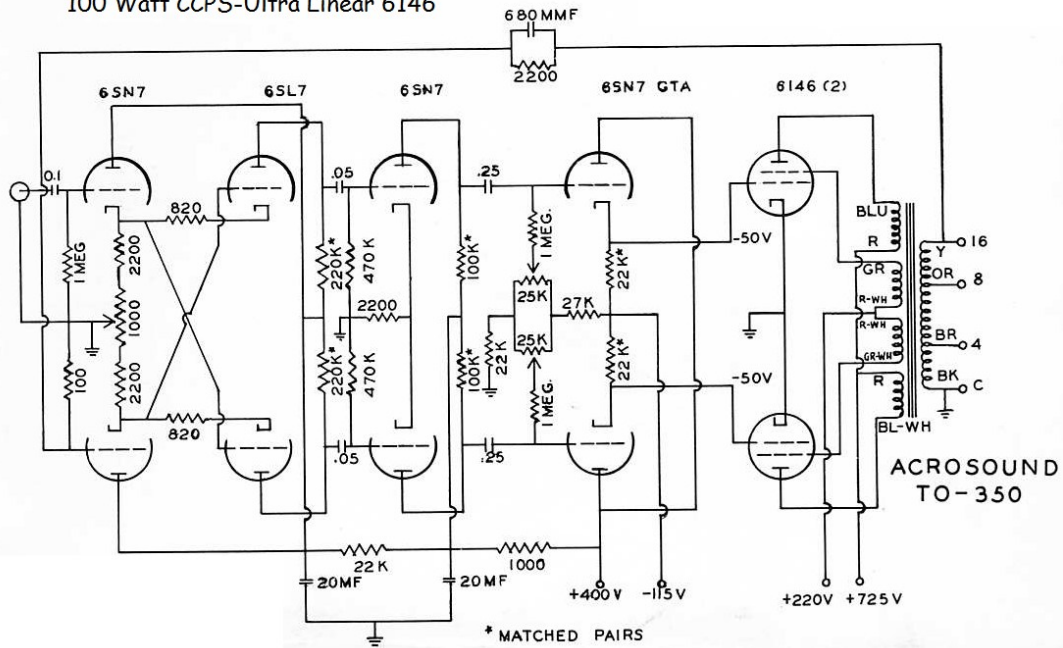
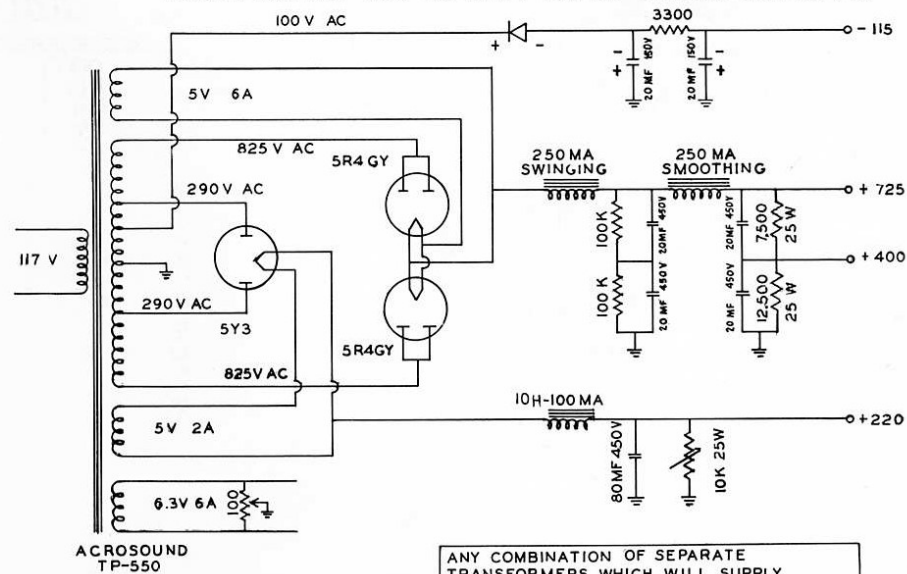


100 Watt CCPS-Ultra Linear 6146



POWER SUPPLY FOR 100 WATT ULTRA-LINEAR AMPLIFIER



ANY COMBINATION OF SEPARATE TRANSFORMERS WHICH WILL SUPPLY THE REQUISITE VOLTAGES CAN BE USED. THE IMPORTANT CONSIDERATION IN THIS SUPPLY IS THAT PLATE AND SCREEN SUPPLIES HAVE GOOD REGULATION.