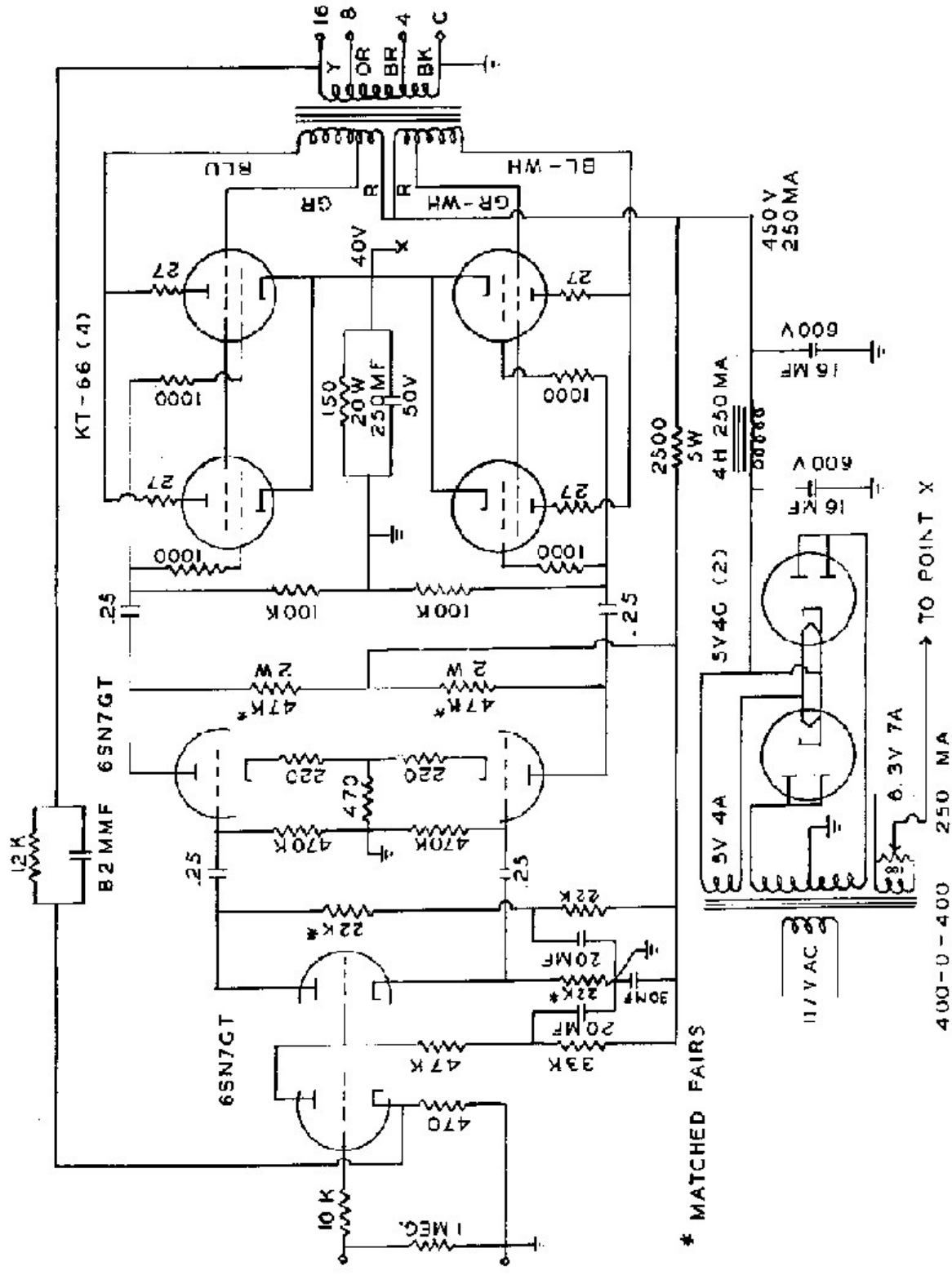


PUSH PULL PARALLEL ULTRA LINEAR AMPLIFIER



* MATCHED PAIRS

400-0-400 250 MA → TO POINT X