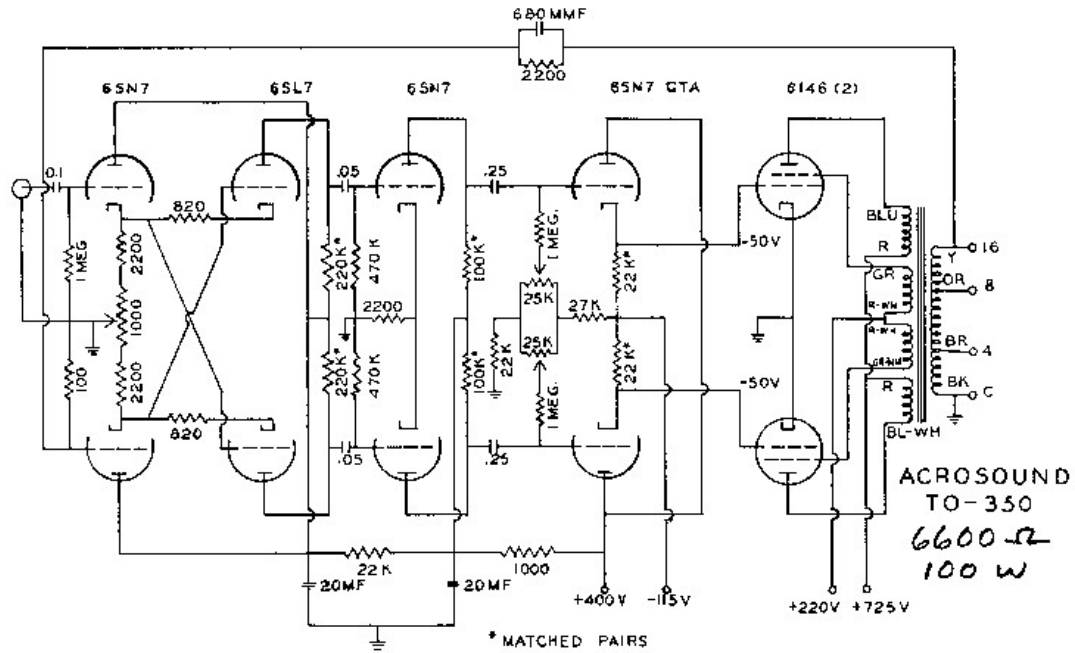


100 WATT AMPLIFIER WITH THE TO-350 TRANSFORMER



POWER SUPPLY FOR 100 WATT ULTRA-LINEAR AMPLIFIER

