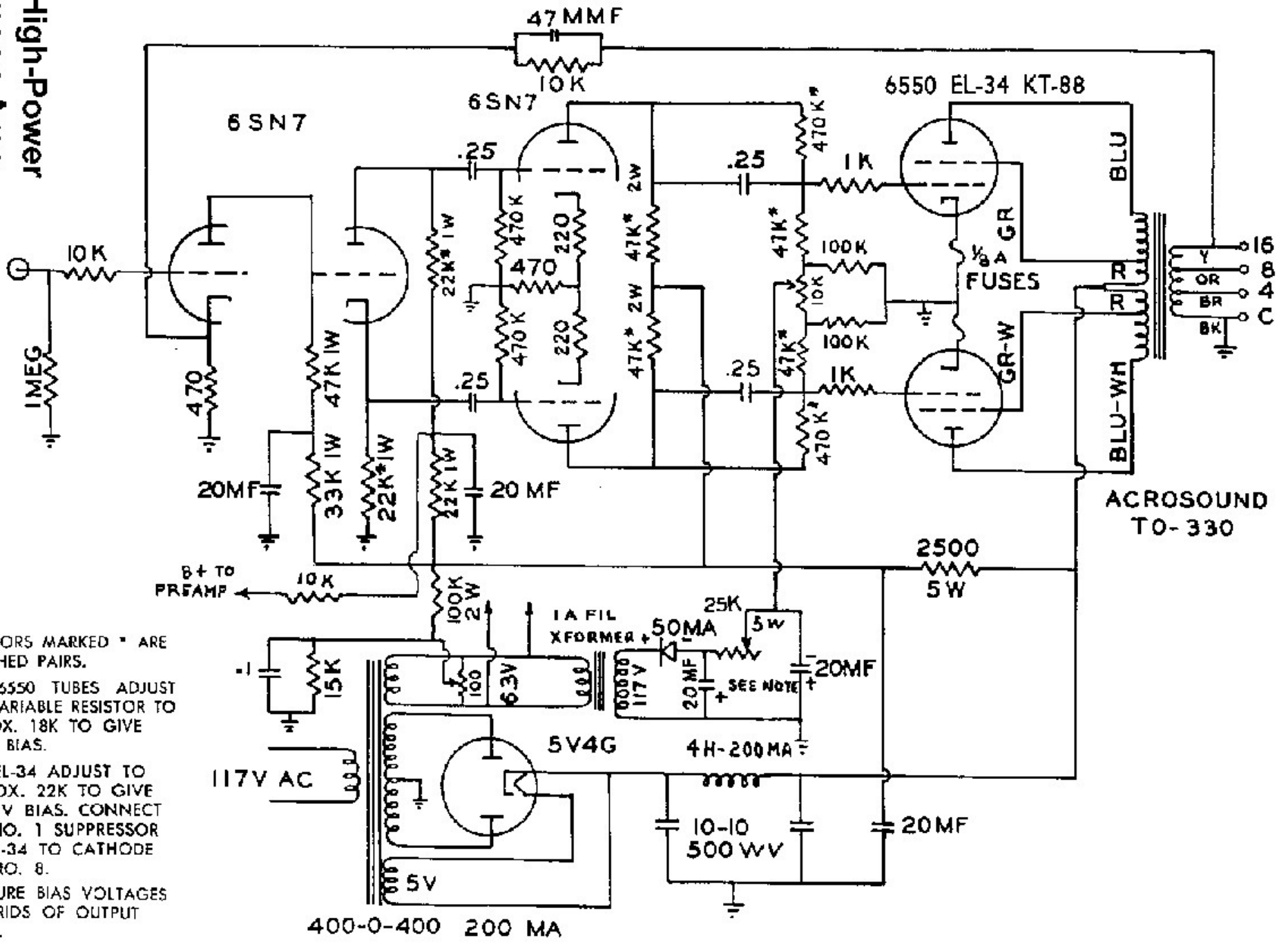


Acro High-Power Williamson Amp

HIGH POWER ULTRA-LINEAR WILLIAMSON
 60 WATTS WITH 6550, KT-88
 50 WATTS WITH 6CA7/EL-34



RESISTORS MARKED * ARE
 MATCHED PAIRS.
 FOR 6550 TUBES ADJUST
 25K VARIABLE RESISTOR TO
 APPROX. 18K TO GIVE
 -48V BIAS.
 FOR EL-34 ADJUST TO
 APPROX. 22K TO GIVE
 -38 V BIAS. CONNECT
 PIN NO. 1 SUPPRESSOR
 OF EL-34 TO CATHODE
 PIN NO. 8.
 MEASURE BIAS VOLTAGES
 AT GRIDS OF OUTPUT
 TUBES.