

For the finest sound...

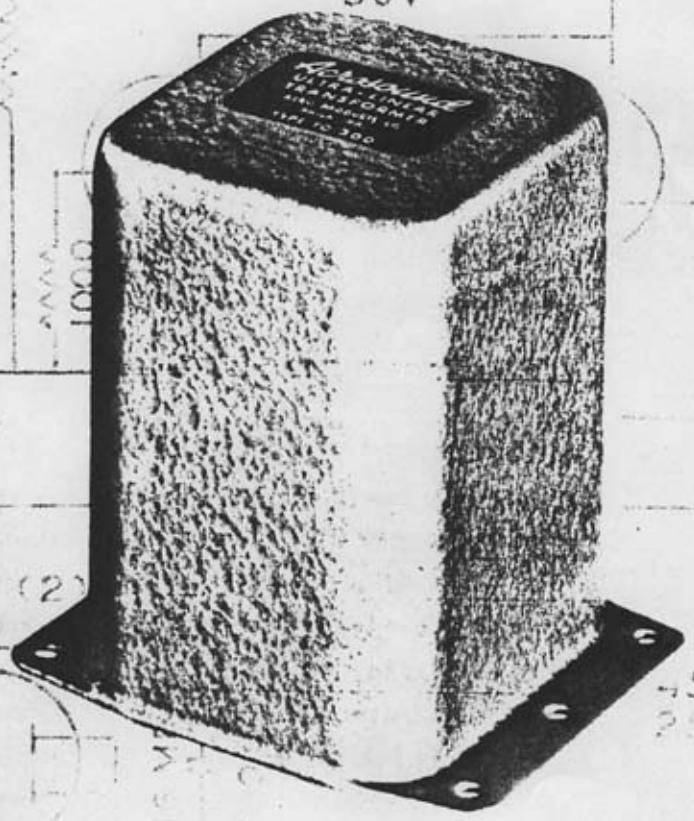
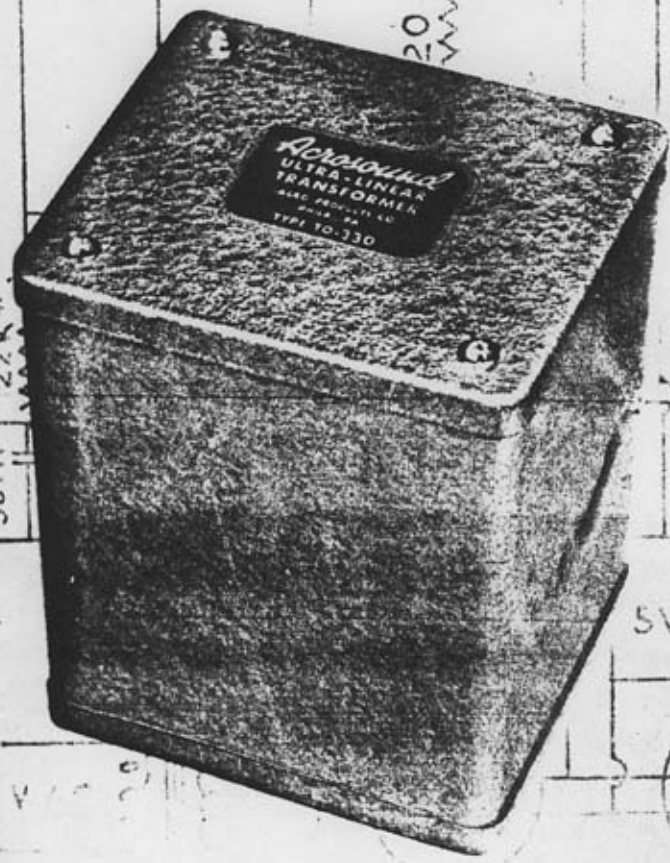
Acrosound ★

Ultra-Linear

KT-66 (4)

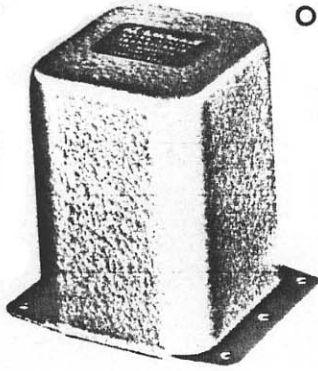
OUTPUT

TRANSFORMERS



Acro Products Company, 369 Shurs Lane, Phila. 28, Pa.

OUTPUT TRANSFORMERS

Case Type "A"
3 $\frac{5}{8}$ x3 $\frac{1}{4}$ x4 $\frac{1}{4}$ highCase Type "B"
4x4 $\frac{5}{8}$ x5 $\frac{3}{8}$ high

MODEL	IMPEDANCES*	POWER RATING	FREQUENCY RESPONSE	RATED PRIMARY CURRENT PER TUBE	PERMISSIBLE DC PRIMARY UNBALANCE	** CASE TYPE	WEIGHT	NET PRICE	APPLICATION
TO-230	3000 plate-to-plate 4, 8, 16 secondary	20 watts— 20 cps to 20 kc 40 watts— 30 cps to 15 kc	±1 db 10 cps to 40 kc	150 ma	20%	A	7 lbs.	\$14.50	For use with 6B4's or 2A3's fixed bias pp par. 6L6's, etc.
TO-250	5000 plate-to-plate 4, 8, 16 secondary	10 watts— 20 cps to 20 kc 20 watts— 30 cps to 15 kc	±1 db 10 cps to 40 kc	75 ma	10%	A	6 lbs.	11.75	For use with 6B4's or 2A3's self bias, 6L6's, class A, etc.
TO-270	10,000 plate-to-plate 4, 8, 16 secondary	10 watts— 20 cps to 20 kc 20 watts— 30 cps to 15 kc	±1 db 10 cps to 40 kc	75 ma	10%	A	6 lbs.	11.75	For use with 6V6's, 6K6's, etc.
TO-280	9000 plate-to-plate 4, 8, 16 secondary	20 watts— 20 cps to 20 kc 40 watts— 30 cps to 15 kc	±1 db 10 cps to 40 kc	75 ma	10%	A	7 lbs.	14.50	For use with 6L6's, class AB1
TO-290	12,000 plate-to-plate 4, 8, 16 secondary	20 watts— 20 cps to 20 kc 40 watts— 30 cps to 15 kc	±1 db 10 cps to 40 kc	75 ma	10%	A	7 lbs.	15.75	For use with triode connected 807's or 5881's in Williamson type circuit
TO-300	6600 plate-to-plate 4, 8, 16 secondary	20 watts— 20 cps to 30 kc 40 watts— 30 cps to 20 kc	±1 db 10 cps to 100 kc	75 ma	15%	A	7 lbs.	24.75	For Ultra-Linear operation of KT-66's, 807's, 5881's, 1614's and 6L6's, Ultra-Linear conversion of Williamson type circuits
TO-310	8000 plate-to-plate 4, 8, 16 secondary	10 watts— 20 cps to 30 kc 20 watts— 30 cps to 20 kc	±1 db 10 cps to 100 kc	75 ma	10%	A	6 lbs.	18.75	For Ultra-Linear operation of 6V6's or EL-84's
TO-320	3500 plate-to-plate 4, 8, 16 secondary	10 watts— 20 cps to 30 kc 20 watts— 30 cps to 20 kc	±1 db 10 cps to 100 kc	75 ma	10%	A	6 lbs.	18.75	For Ultra-Linear operation of 6Y6's
TO-330	3800 plate-to-plate 4, 8, 16 secondary	50 watts— 20 cps to 30 kc 100 watts— 30 cps to 20 kc	±1 db 10 cps to 100 kc	150 ma	15%	B	14 lbs.	39.75	For push pull Ultra-Linear 6550's, EL-34's, KT88's, 6CA7's or for push pull parallel operation of KT-66's, 807's, etc.
TO-340	5000 plate-to-plate 4, 8, 16 secondary	50 watts— 20 cps to 30 kc 100 watts— 30 cps to 20 kc	±1 db 10 cps to 100 kc	150 ma	15%	B	14 lbs.	39.75	For push pull Ultra-Linear 6550's KT-88's, in self bias operation
TO-350	6600 plate-to-plate 4, 8, 16 secondary	100 watts— 20 cps to 20 kc	±1 db 7 cps to 70 kc	175 ma	10%	B	14 lbs.	49.50	For Ultra-Linear operation of 6146 tubes using tertiary winding for screen connection.

* All models available with additional line winding (125 and 500 ohms) at extra cost of \$6.00 net for models with numbers up to TO-320 and \$10.00 net for models TO-330 and TO-350. Models with line winding are designated by model numbers ending in "5." For example, Model TO-300 with additional line winding is specified as TO-305.

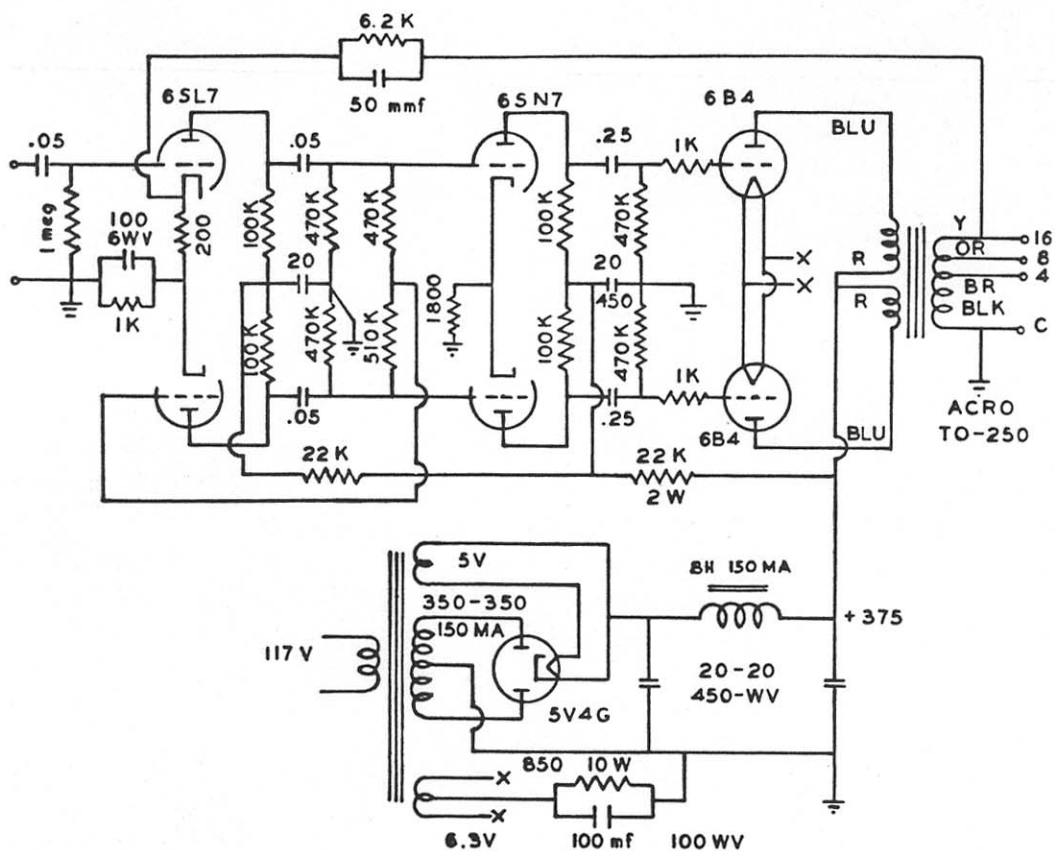
** All cases are furnished in silver grey hammerloid finish. 10-inch color coded wire leads are brought out through case bottoms. Case type "A" mounts with base flange. Case type "B" is provided with four #8 mounting lugs.

POWER TRANSFORMERS

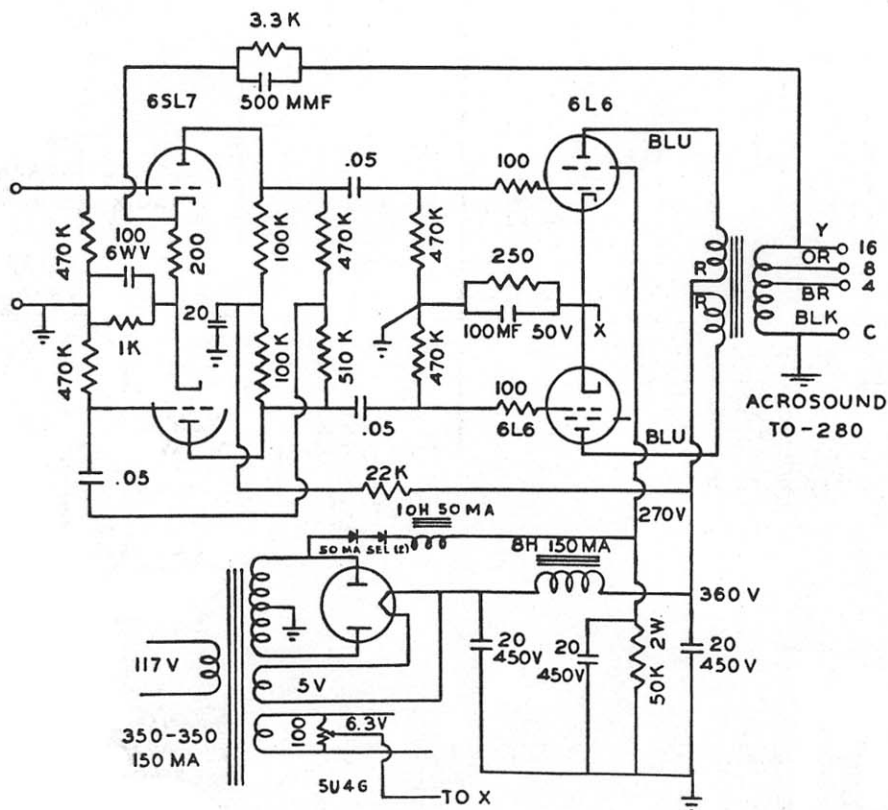
Model	Voltages		Use	Net Price
TP-520	250-0-250	175 ma	For 6Y6, 6V6, EL84 Amplifiers	9.75
	6.3V	5a		
	5V	2a		
TP-550	825-290-0-100-290-825		For 6146 Amplifiers	33.75
	6.3V	6a		
	5V	6a		
	5V	2a		

All power transformers supplied in gray hammertone end bells with upright mounting.

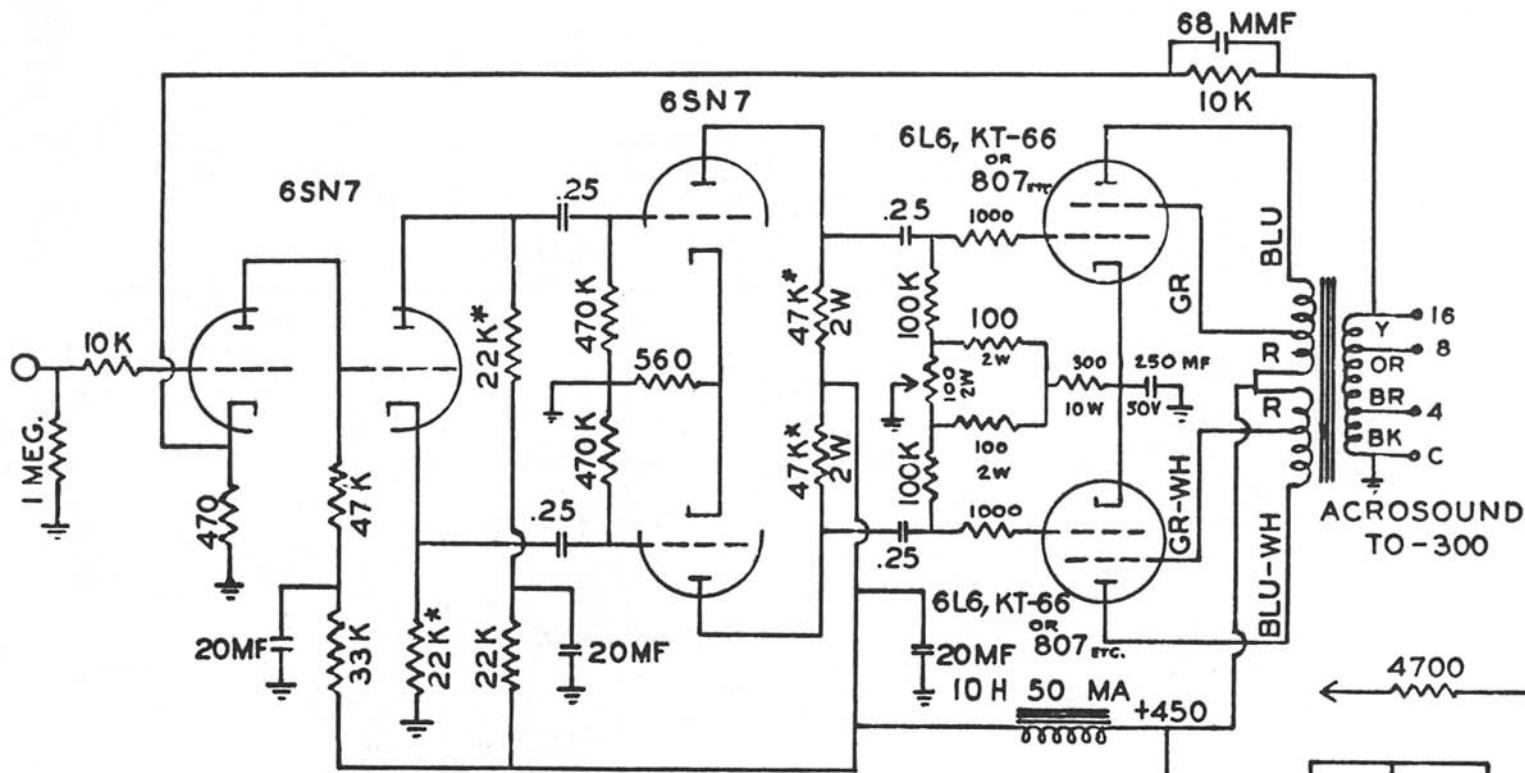
TRIODE CIRCUIT WITH ACRO SOUND TO-250 TRANSFORMER



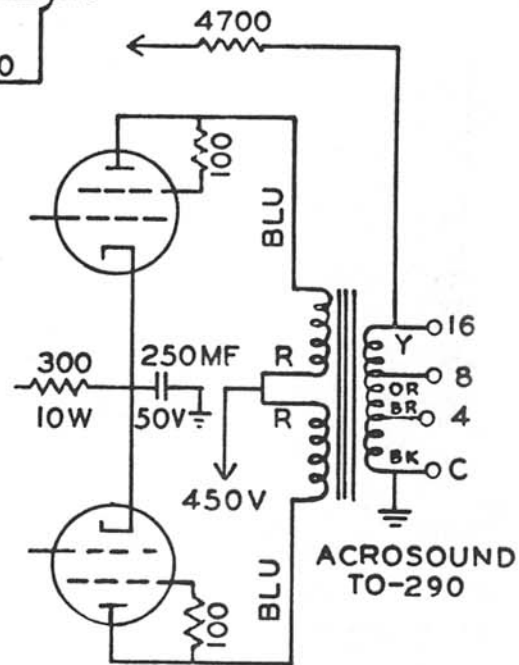
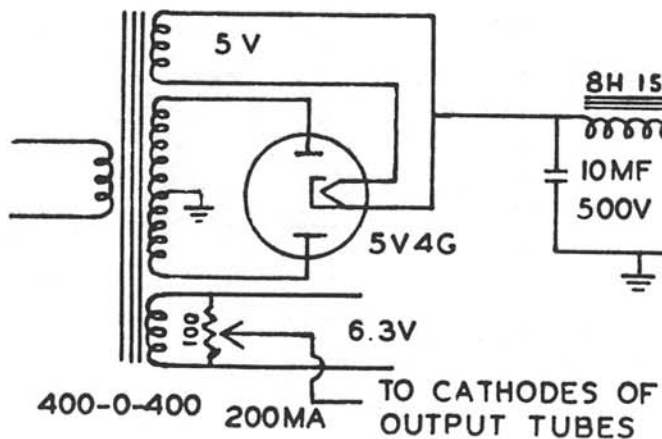
6L6 CIRCUIT WITH TO-280 TRANSFORMER



WILLIAMSON TYPE CIRCUITS
 ULTRA-LINEAR WITH TO-300
 TRIODE WITH TO-290

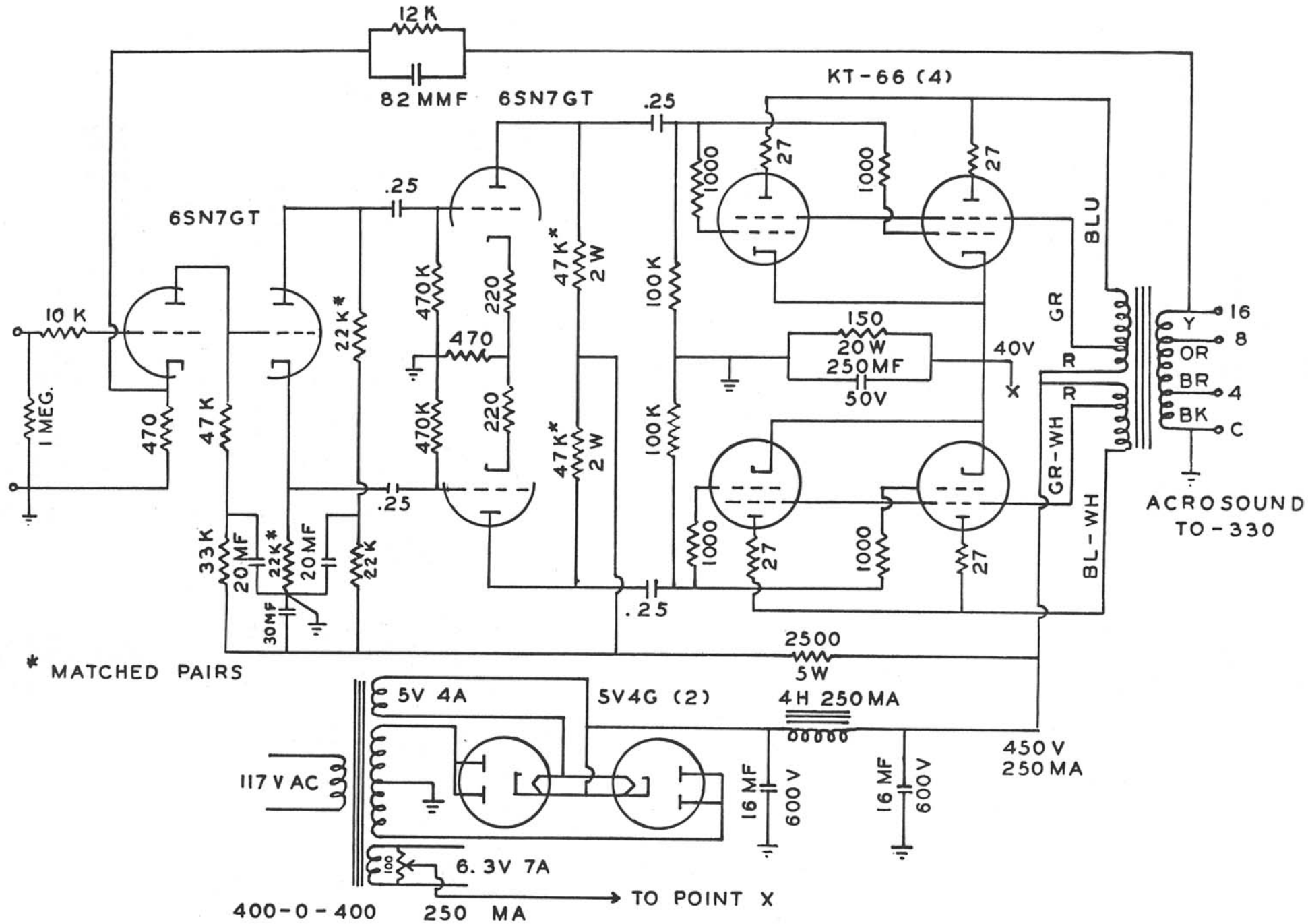


* MATCHED PAIRS

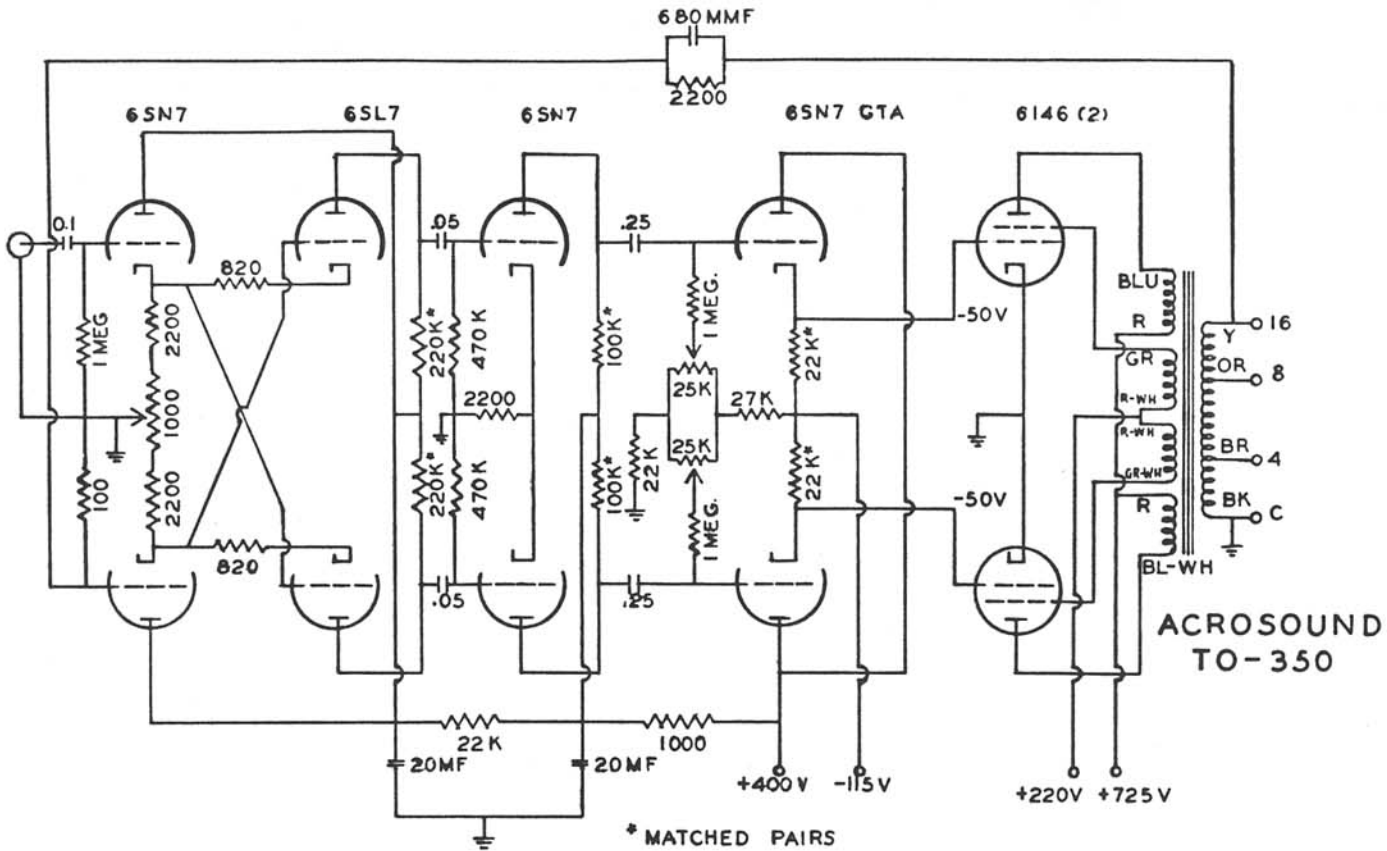


PUSH PULL PARALLEL ULTRA-LINEAR AMPLIFIER WITH TO-330 TRANSFORMER

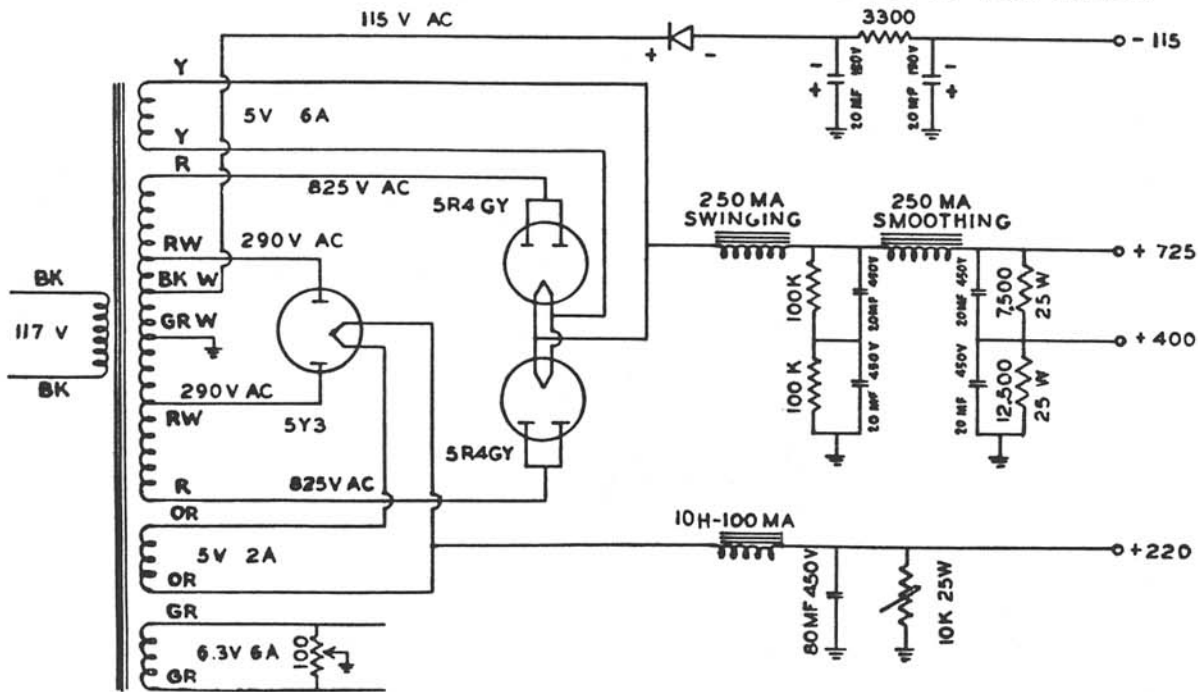
01



100 WATT AMPLIFIER WITH THE TO-350 TRANSFORMER

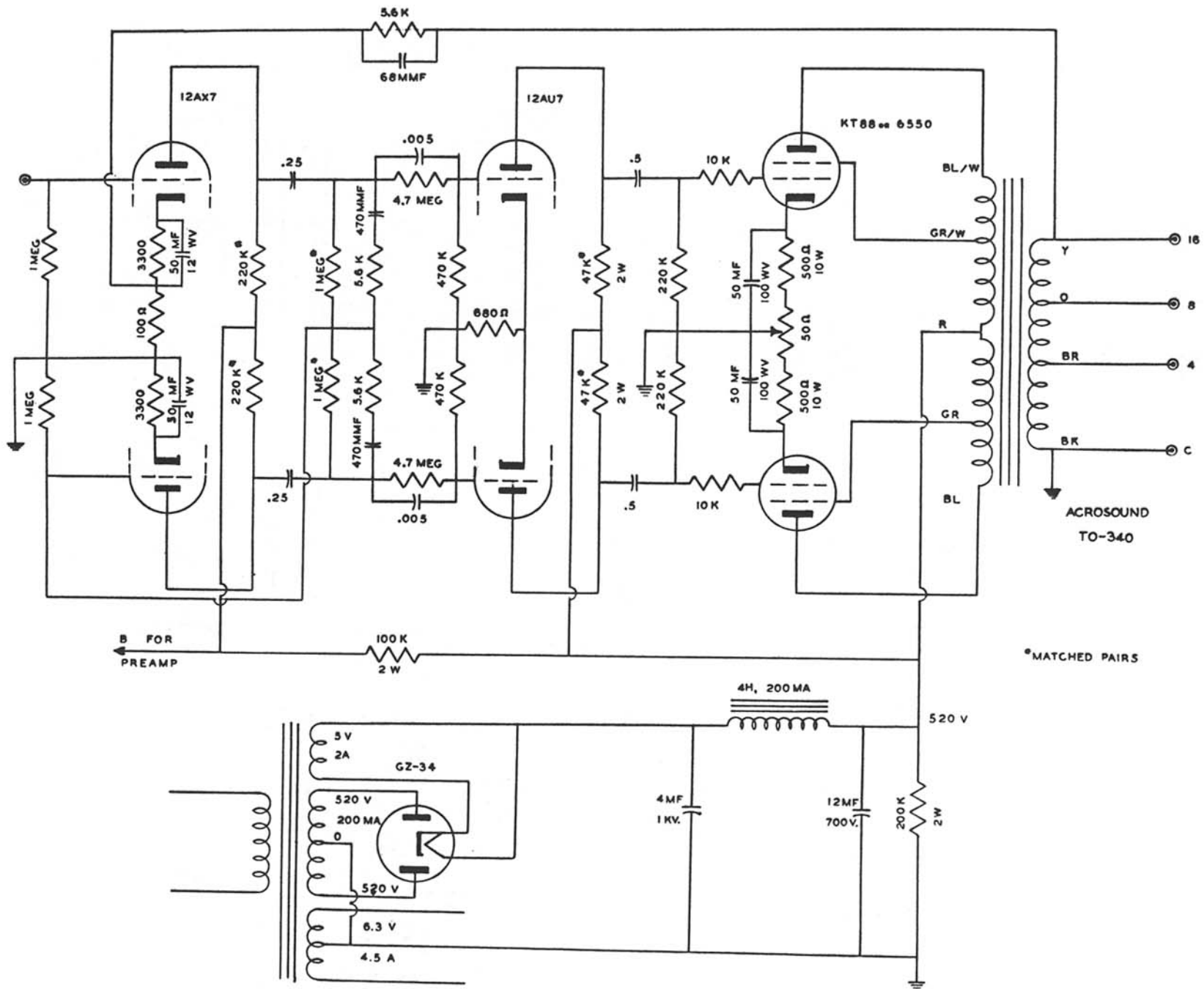


POWER SUPPLY FOR 100 WATT ULTRA-LINEAR AMPLIFIER



ANY COMBINATION OF SEPARATE TRANSFORMERS WHICH WILL SUPPLY THE REQUISITE VOLTAGES CAN BE USED. THE IMPORTANT CONSIDERATION IN THIS SUPPLY IS THAT PLATE AND SCREEN SUPPLIES HAVE GOOD REGULATION.

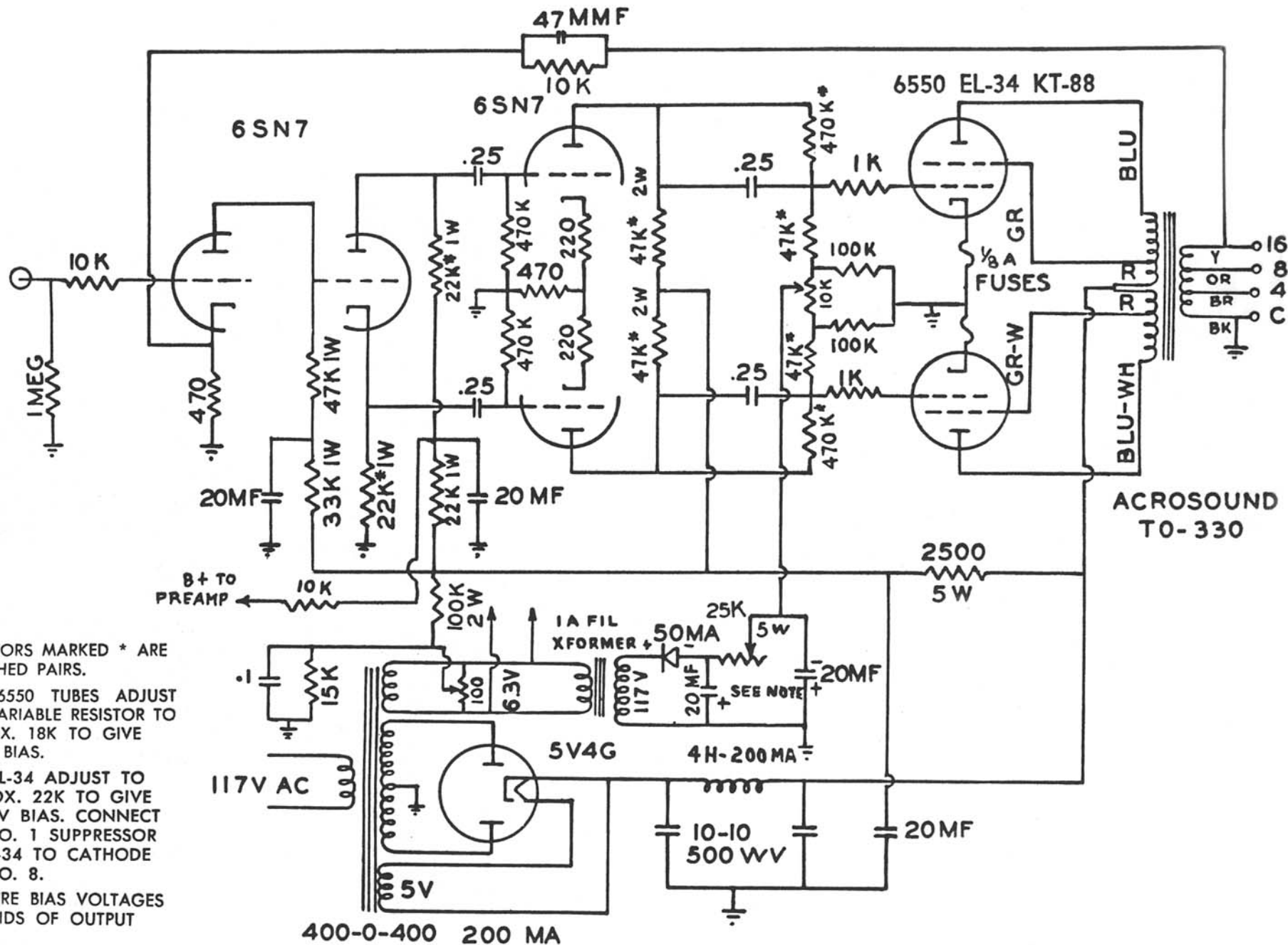
KT88 AMPLIFIER USING THE TO-340 TRANSFORMER



HIGH POWER ULTRA-LINEAR WILLIAMSON

60 WATTS WITH 6550, KT-88

50 WATTS WITH 6CA7/EL-34



RESISTORS MARKED * ARE MATCHED PAIRS.

FOR 6550 TUBES ADJUST 25K VARIABLE RESISTOR TO APPROX. 18K TO GIVE -48V BIAS.

FOR EL-34 ADJUST TO APPROX. 22K TO GIVE -38 V BIAS. CONNECT PIN NO. 1 SUPPRESSOR OF EL-34 TO CATHODE PIN NO. 8.

MEASURE BIAS VOLTAGES AT GRIDS OF OUTPUT TUBES.