

SERVICE MANUAL



TUNER/PREAMP

GTP-350

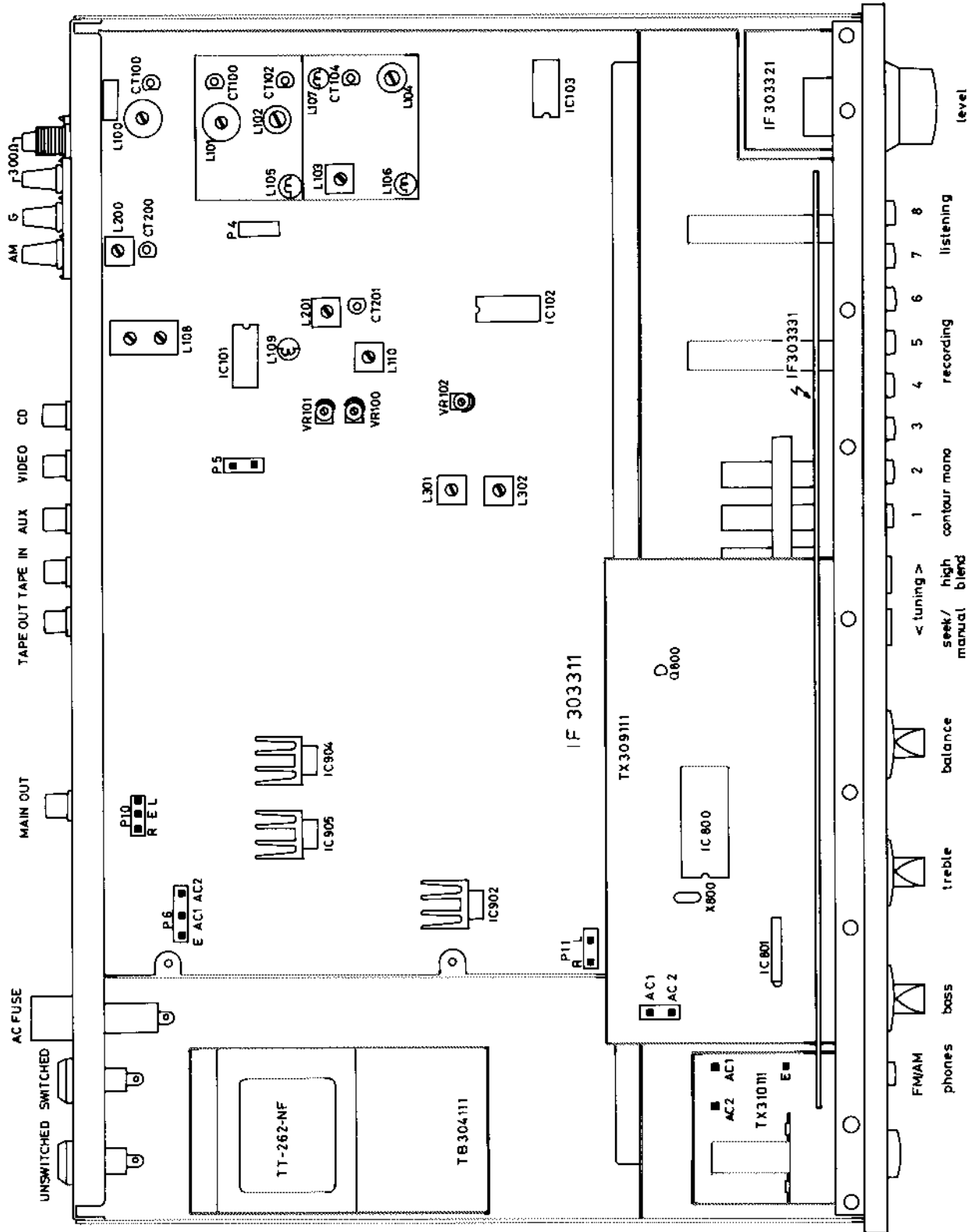
TABLE OF CONTENTS

Chassis Layout	1
Alignment.....	2
Wiring Diagrams	4
PC Boards	5
Parts List.....	7
Schematic Diagrams.....	16



TECHNICAL SERVICE DEPARTMENT
11 ELKINS ROAD
EAST BRUNSWICK, NJ 08816
PHONE: (908) 390-1130
FAX: (908) 390-9152

CHASSIS LAYOUT: GTP-350



FM IF, RF, and FM MPX Alignments

GTP-350

Instruments: FM Signal Generator (400Hz 100% modulated), THD analyzer, Oscilloscope, AC VTVM, DC Voltmeter, Digital DC Voltmeter.

Terminated: DC Voltmeter --- Between P4 (VC) and P4 (E) on IF-303311 PCB
 Digital DC Meter --- Between P4 (VC) and P4 (E) on IF-303311 PCB

STEP	GENERATOR		TUNING DIAL SETTING	ADJUST	ADJUST FOR
	COUPLING	FREQUENCY			
1	not necessary		87.5 MHz	L104	1.5V on DC Voltmeter
2			108 MHz	CT104	9V on DC Voltmeter
3	Repeat steps 1 and 2 until no further improvement is noticed				
4	Antenna Terminal	90 MHz	90 MHz	L101, 102 L103	Maximum reading on AC VTVM
5				L103	Minimum reading on THD analyzer
6		105 MHz	105 MHz	CT100, 101 CT102	Maximum reading on AC VTVM
7	Repeat steps 4,5, & 6 until no further improvement is noticed (muting OFF)				
8	Antenna Terminal	90 MHz	90 MHz	L108 (A)	Adjust to 0 Volts DC
9	1mV Input			L108 (B)	Minimum reading on THD analyzer
10	Repeat steps 8 and 9 until no further improvement is noticed (muting OFF)				
11	Antenna Terminal 10 μ V Input	90 MHz	90 MHz	VR101	Muting Level (muting ON)
12	Antenna Terminal 1mV Input	90 MHz	90 MHz	VR100	Signal indicator level: 5th LED ON (muting OFF)
13	Antenna Terminal 1mV Input	98 MHz Pilot: 10% mod 1kHz: 90% mod	98 MHz	VR102	Best separation. No need to adjust VCO

AM IF and RF Alignments

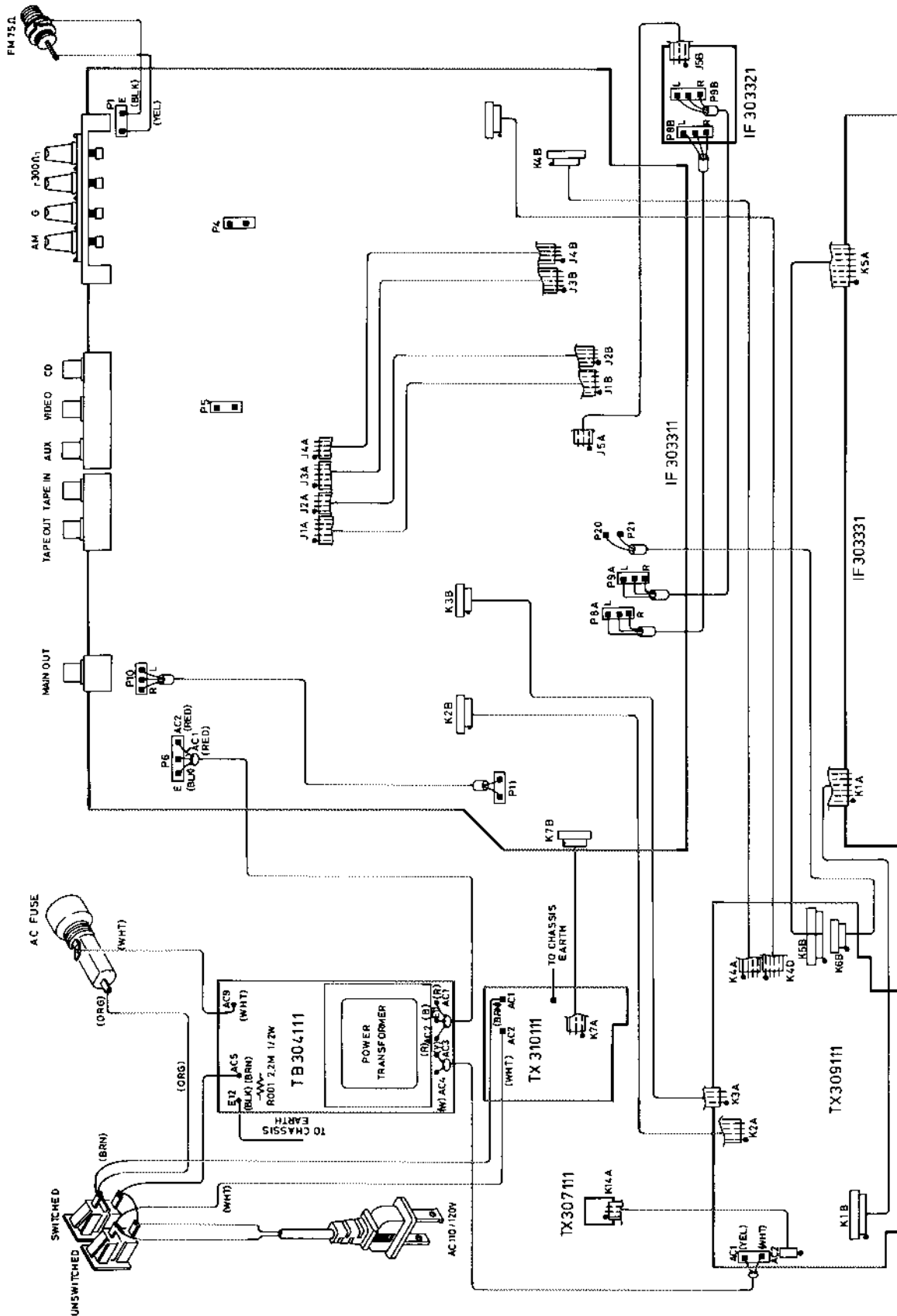
GTP-350

Instruments: AM Signal Generator (400Hz 30% modulated), Oscilloscope, AC VTVM, DC Voltmeter.

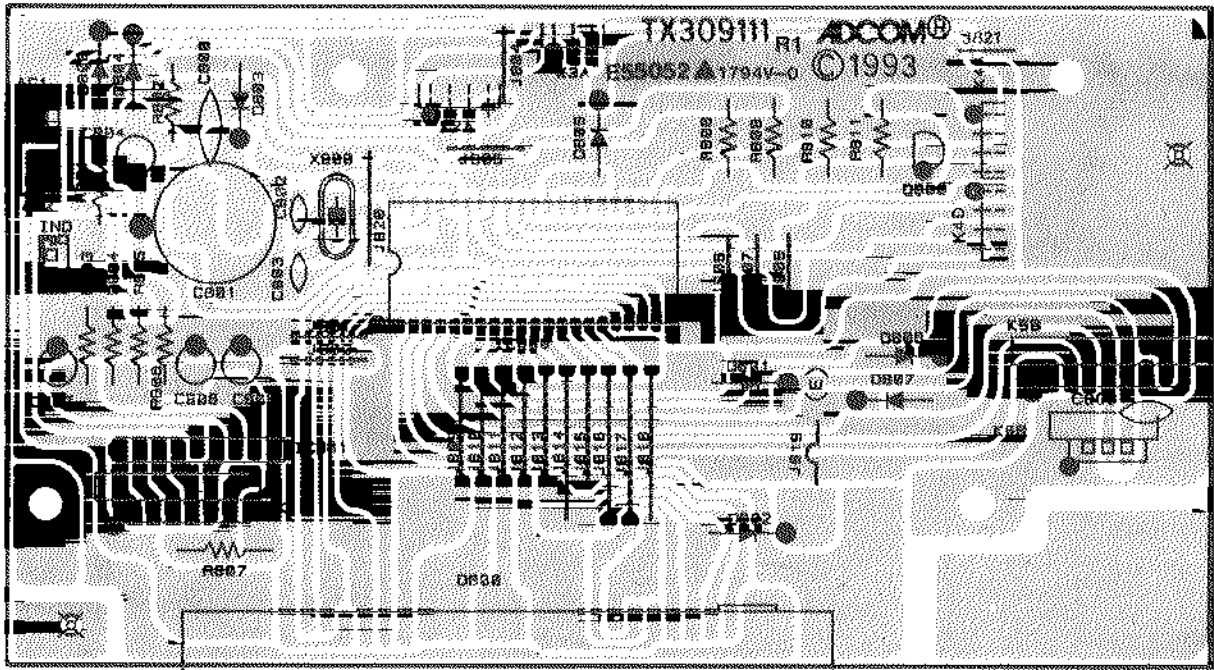
Terminated: DC Voltmeter --- Between P4 (VC) and P4 (E) on IF-303311 PCB

STEP	GENERATOR		TUNING DIAL SETTING	ADJUST	ADJUST FOR
	COUPLING	FREQUENCY			
1	not necessary		530 kHz (531 kHz in Europe)	L201	About +1.2V / -0.1V on DC Voltmeter
2			1600 kHz (1602 kHz in Europe)	CT201	About +9V / -0.2V on DC Voltmeter
3	Repeat steps 1 and 2 until no further improvement is noticed				
4	Test Loop: Radiate signal into loop antenna	450 kHz	530 kHz	L110	Maximum reading on AC VTVM
5		600 kHz	600 kHz	L110, L200	
6		1400 kHz	1400 kHz	CT200	
7	Repeat steps 4,5, & 6 until no further improvement is noticed				

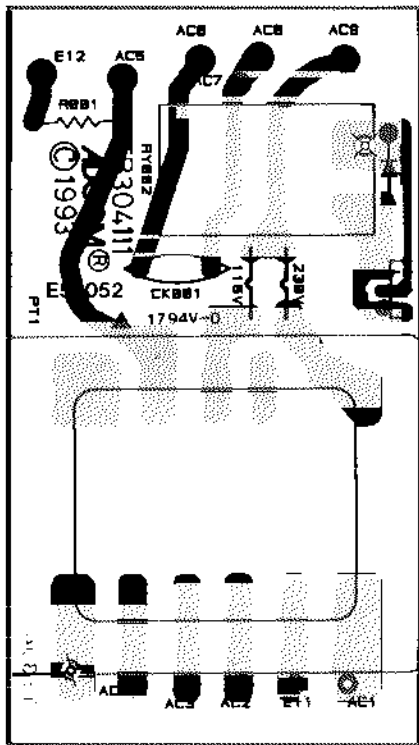
WIRING DIAGRAM: GTP-350



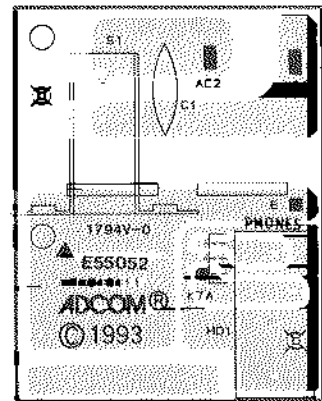
TX309111



TB304111



TX30111



TX307111





REPAIR PARTS LIST MODEL GTP-350

SCHEMATIC LOCATION	PART NO.	DESCRIPTION	
ACO1-2	25001010	AC OUTLET SOCKET S-16519 (U,C)	△
ACOO1	15001050	POWER CORD 4TR-670#5 SPT-2 #16	△
ANT1	22001190	COAXIAL CONN. 4TR-2290(U) NI	
ANT102	30001090	4P ANT. TERMINAL 4TR-2358#1	
C1	12005700	CAP. DE7150F742M SPARK KILLER	△
C101	12002055	CAP. 50V 3PF CH CERAMIC	
C102	12002090	CAP. 50V 100PF SL CERAMIC	
C103	12002080	CAP. 50V 0.001UF B CERAMIC	
C104	12002070	CAP. 50V 0.01UF CERAMIC	
C105	12002045	CAP. 50V 10PF CH CERAMIC	
C106	12002195	CAP. 50V 7PF CH CERAMIC	
C107-108	12002005	CAP. 50V 5PF CH CERAMIC	
C109	12002090	CAP. 50V 100PF SL CERAMIC	
C110-113	12002070	CAP. 50V 0.01UF CERAMIC	
C115	12002105	CAP. 50V 22PF SL CERAMIC	
C116	12002030	CAP. 50V 5PF SL CERAMIC	
C117	12002025	CAP. 50V 2PF SL CERAMIC	
C118	12002005	CAP. 50V 5PF CH CERAMIC	
C119-120	12002131	CAP. 50V 15PF CH CERAMIC	
C121	12002045	CAP. 50V 10PF CH CERAMIC	
C122	12002070	CAP. 50V 0.01UF CERAMIC	
C123-125	12002010	CAP. 50V 0.047UF CERAMIC	
C126	12005210	CAP. SK 50V 4.7UF ELEC.	
C127	12002010	CAP. 50V 0.047UF CERAMIC	
C128	12005190	CAP. SK 25V 4.7UF ELEC.	
C129	12005355	CAP. SK 25V 3.3UF ELEC.	
C130	12005090	CAP. SK 25V 10UF ELEC.	
C131	12001070	CAP. 50V 153J MYLAR TAPED	
C132	12002070	CAP. 50V 0.01UF CERAMIC	
C133	12001110	CAP. 50V 473J MYLAR TAPED	
C134	12005090	CAP. SK 25V 10UF ELEC.	
C135	12005260	CAP. SK 50V 2.2UF ELEC.	
C136	12002200	CAP. 50V 330PF SL CERAMIC	
C137	12005210	CAP. SK 50V 4.7UF ELEC.	
C138	12002080	CAP. 50V 0.001UF B CERAMIC	
C139	12001110	CAP. 50V 473J MYLAR TAPED	
C140	12005110	CAP. SK 50V 1UF ELEC.	
C141	12005020	CAP. SK 25V 100UF ELEC.	
C142-143	12003260	CAP. 50V 680PF (J) STYROL	
C144-145	12003270	CAP. 50V 270PF (J) STYROL	
C146-148	12005090	CAP. SK 25V 10UF ELEC.	
C149	12005640	CAP. SK 50V 0.22UF ELEC.	
C150-151	12005110	CAP. SK 50V 1UF ELEC.	
C152	12005200	CAP. SK 50V 0.47UF ELEC.	
C153	12002010	CAP. 50V 0.047UF CERAMIC	

REPAIR PARTS LIST MODEL GTP-350

SCHEMATIC LOCATION	PART NO.	DESCRIPTION
C154	12005120	CAP. SK 16V 220UF ELEC.
C155	12001240	CAP. 50V 103J MYLAR
C156-157	12002070	CAP. 50V 0.01UF CERAMIC
C162	12005080	CAP. SK 16V 100UF ELEC.
C164	12002070	CAP. 50V 0.01UF CERAMIC
C165-166	12005210	CAP. SK 50V 4.7UF ELEC.
C200	12002070	CAP. 50V 0.01UF CERAMIC
C201	12005110	CAP. SK 50V 1UF ELEC.
C202-204	12002070	CAP. 50V 0.01UF CERAMIC
C205	12002080	CAP. 50V 0.001UF B CERAMIC
C206	12002055	CAP. 50V 3PF CH CERAMIC
C207-208	12002070	CAP. 50V 0.01UF CERAMIC
C210	12003050	CAP. 50V 390PF (J) STYROL
C211	12002045	CAP. 50V 10PF CH CERAMIC
C212	12001110	CAP. 50V 473J MYLAR TAPED
C213	12005200	CAP. SK 50V 0.47UF ELEC.
C214	12005130	CAP. SK 25V 220UF ELEC.
C215	12002070	CAP. 50V 0.01UF CERAMIC
C216	12005130	CAP. SK 25V 220UF ELEC.
C217	12005220	CAP. SK 10V 100UF ELEC.
C218	12002070	CAP. 50V 0.01UF CERAMIC
C601-604	12003030	CAP. 50V 100PF (J) STYROL
C607-608	12003030	CAP. 50V 100PF (J) STYROL
C617-618	12001045	CAP. 50MSA474J LAYER
C619-620	12003200	CAP. 50V 47PF (J) STYROL
C621-622	12003170	CAP. 50V 22PF (J) STYROL
C623-624	12001170	CAP. 100MMXSFL475K M.P
C625-628	12001120	CAP. 50V 472J MYLAR TAPED
C629-632	12001130	CAP. 50V 563J MYLAR TAPED
C633-634	12003200	CAP. 50V 47PF (J) STYROL
C635-636	12005020	CAP. SK 25V 100UF ELEC.
C637-638	12001170	CAPACITOR 100MMXSFL475K M.P
C639-640	12003040	CAP. 50V 220PF (J) STYROL
C641-642	12005250	CAP. ECEA1HFS220 ELEC.
C643-644	12005360	CAP. SK 50V 100UF ELEC.
C701-702	12003030	CAP. 50V 100PF (J) STYROL
C900-901	12005130	CAP. SK 25V 220UF ELEC.
C903-906	12002020	CAP. 250V 0.01UF CERAMIC
C909	12005320	CAP. SK 25V 470UF ELEC.
C910	12005130	CAP. SK 25V 220UF ELEC.
C911	12005110	CAP. SK 50V 1UF ELEC.
C913	12002020	CAP. 250V 0.01UF CERAMIC
C914	12005130	CAP. SK 25V 220UF ELEC.
C915	12005350	CAP. SK 25V 3.3UF ELEC.
C916-917	12005390	CAP. SK 35V 2200UF ELEC.



REPAIR PARTS LIST MODEL GTP-350

SCHEMATIC LOCATION	PART NO.	DESCRIPTION	
C918-921	12005130	CAP. SK 25V 220UF ELEC.	
C922	12005230	CAP. SK 35V 100UF ELEC.	
C923	12002020	CAP. 250V 0.01UF CERAMIC	△
C924	12005070	CAP. SK 35V 1000UF ELEC.	△
C944	12005010	CAP. SK 25V 1000UF ELEC.	△
CT100-102	12001065	CAP. VCT51A FILM TRIMMER	
CT104	12001065	CAP. VCT51A FILM TRIMMER	
CT200-201	12001050	CAP. VCT51C FILM TRIMMER	
D100-103	16002021	DIODE SVC202AF VARICAP	
D104	16004148	DIODE 1N4148 1A 75V DETECT	
D105	16004148	DIODE 1N4148 1A 75V DETECT	
D106-109	16004148	DIODE 1N4148 1A 75V DETECT	
D200-201	16003210	DIODE SVC321SPA-B-2 VARICAP	
D202	16004148	DIODE 1N4148 1A 75V DETECT	
D903-906	16004003	DIODE 1N4003 1A 140V RTFR	
D909-910	16004003	DIODE 1N4003 1A 140V RTFR	
D911	16006200	DIODE RD-6.2E (B2) ZENER	
D912	16004148	DIODE 1N4148 1A 75V DETECT	
D913-916	16004003	DIODE 1N4003 1A 140V RTFR	
D918	16002200	DIODE RD-22E B2	
D919	16004003	DIODE 1N4003 1A 140V RTFR	
D921	16001500	DIODE RD-15E (B3) ZENER	
D922	16004148	DIODE 1N4148 1A 75V DETECT	
D923	16004003	DIODE 1N4003 1A 140V RTFR	
F1	19000100	FUSE BEL 3AG 250V 1A UL/CSA	△
H01	22001035	HEAD PHONE JACK C-3921#3 H6.5	
IC101	21001265	IC LA1265 FM/AM TUNER	
IC102	21003401	IC LA3401 FM/AM TUNER	
IC103	21009172	IC TC9172P PRESCALER W/PLL-LSI	
IC604-605	21007001	IC AD712JN DUAL BIFET OP AMP	
IC606	21004556	IC NJM4556D DUAL OP AMP	
IC902	21007815	IC NJM78M15 POSITIVE REGULATOR	
IC904	21001001	IC LM317T POSITIVE REGULATOR	
IC905	21003000	IC LM337T NEGATIVE REGULATOR	
JK601	22001240	6P PIN JACK 4TR-2673#1 (NI)	
JK602	22001040	4P PIN JACK 4TR-2672#1 (NI)	
JK605	22001080	2P PIN JACK 4TR-2166#1 (NI)	
L100	14003390	COIL TRL-339 FM ANT	
L101	14003380	COIL TRL-338 FM RF	
L102	14003370	COIL TRL-337 FM RF	
L103	14002330	FM IF COIL RL-233T	
L104	14003360	COIL TRL-336 FM OSC	
L105	14002390	MICRO INDUCTOR TRL-239 2.2UH	
L106	14002360	MICRO INDUCTOR TRL-236 47UH	
L107	14002390	MICRO INDUCTOR TRL-239 2.2UH	

REPAIR PARTS LIST MODEL GTP-350

SCHEMATIC LOCATION	PART NO.	DESCRIPTION
L108	14003420	COIL TRL-342 FM DET
L109	14003410	MICRO INDUCTOR TRL-341 39MH
L110	14003430	COIL TRL-343 AM IF
L200	14003720	COIL TRL-372 AM ANT
L201	14001050	COIL RLV105T AM OSC
L202	14002375	MICRO INDUCTOR TRL-237 470UH
L301-302	14001940	COIL TRL-194 FM MPX FILTER
Q100	33007300	TRANSISTOR 3SK73(Y) F.E.T
Q101	33001070	TRANSISTOR 3SK107(F) F.E.T
Q102	33001674	TRANSISTOR 2SC1674(K.L)
Q103-104	33005440	TRANSISTOR 2SK544(F) F.E.T
Q105	33001674	TRANSISTOR 2SC1674(K.L)
Q106	33005361	TRANSISTOR 2SG536G-NP
Q107	33006080	TRANSISTOR 2SA608K(F.G)
Q108-109	33002878	TRANSISTOR 2SC2878(A.B)
Q110	33006080	TRANSISTOR 2SA608K(F.G)
Q200	33005440	TRANSISTOR 2SK544(F) F.E.T
Q201	30005361	TRANSISTOR 2SG536G-NP
Q202	33002460	TRANSISTOR 2SK246-Y F.E.T
Q203	33001570	TRANSISTOR 2SC1570G/H
Q204	33005361	TRANSISTOR 2SG536G-NP
Q601-602	33003660	TRANSISTOR 2SK366 F.E.T
Q603-604	33002878	TRANSISTOR 2SC2878(A.B)
Q605	33001345	TRANSISTOR 2SA1345
Q903	33002274	TRANSISTOR 2SC2274(E.F)
Q904	33009840	TRANSISTOR 2SA984K(E.F)
Q905	33002274	TRANSISTOR 2SC2274(E.F)
Q906	33005361	TRANSISTOR 2SG536G-NP
R001	27001470	RES. 2.2M 1/2W CARBON
R100	27004160	RES. 47.5K F 1/4W METAL TAPED
R101	27004210	RES. 100K F 1/4W METAL TAPED
R102	27004160	RES. 47.5K F 1/4W METAL TAPED
R103	27004210	RES. 100K F 1/4W METAL TAPED
R104	27004320	RES. 47.5 F 1/4W METAL TAPED
R105	27004380	RES. 150 F 1/4W METAL TAPED
R106-107	27004160	RES. 47.5K F 1/4W METAL TAPED
R108-109	27004210	RES. 100K F 1/4W METAL TAPED
R110-111	27004320	RES. 47.5 F 1/4W METAL TAPED
R112	27004150	RES. 475 F 1/4W METAL TAPED
R113	27004140	RES. 332 F 1/4W METAL TAPED
R114	27004150	RES. 68.1K F 1/4W METAL TAPED
R115	27004670	RES. 100 F 1/4W METAL TAPED
R116	27004170	RES. 10 F 1/4W METAL TAPED
R117	27004140	RES. 332 F 1/4W METAL TAPED

REPAIR PARTS LIST MODEL GTP-350

SCHEMATIC LOCATION	PART NO.	DESCRIPTION
R118	27004670	RES. 100 F 1/4W METAL TAPED
R119-120	27004140	RES. 332 F 1/4W METAL TAPED
R121-122	27004210	RES. 100K F 1/4W METAL TAPED
R123-124	27004200	RES. 10K F 1/4W METAL TAPED
R125	27004050	RES. 1K F 1/4W METAL TAPED
R126	27004070	RES. 2.21K F 1/4W METAL TAPED
R127-128	27004200	RES. 10K F 1/4W METAL TAPED
R129	27004080	RES. 3.09K F 1/4W METAL TAPED
R130	27004670	RES. 100 F 1/4W METAL TAPED
R131	27004190	RES. 562 F 1/4W METAL TAPED
R132	27004290	RES. 18.2K F 1/4W METAL TAPED
R133	27004150	RES. 68.1K F 1/4W METAL TAPED
R134-136	27004200	RES. 10K F 1/4W METAL TAPED
R137	27004270	RES. 3.32K F 1/4W METAL TAPED
R138-139	27004070	RES. 2.21K F 1/4W METAL TAPED
R140	27004050	RES. 1K F 1/4W METAL TAPED
R141-142	27004090	RES. 121K F 1/4W METAL TAPED
R143-144	27004270	RES. 3.32K F 1/4W METAL TAPED
R145-146	27004180	RES. 73.2K F 1/4W METAL TAPED
R147	27004240	RES. 27.4K F 1/4W METAL TAPED
R148-151	27004200	RES. 10K F 1/4W METAL TAPED
R152	27004670	RES. 100 F 1/4W METAL TAPED
R153	27004330	RES. 5.62K F 1/4W METAL TAPED
R154	27004520	RES. 33.2K F 1/4W METAL TAPED
R155	27004150	RES. 475 F 1/4W METAL TAPED
R156	27004050	RES. 1K F 1/4W METAL TAPED
R157	27004630	RES. 221K F 1/4W METAL TAPED
R158	27004360	RES. 56.2K F 1/4W METAL TAPED
R159	27004320	RES. 47.5 F 1/4W METAL TAPED
R160	27004050	RES. 1K F 1/4W METAL TAPED
R162	27004320	RES. 47.5 F 1/4W METAL TAPED
R163-165	27004200	RES. 10K F 1/4W METAL TAPED
R166	27004210	RES. 100K F 1/4W METAL TAPED
R200	27004210	RES. 100K F 1/4W METAL TAPED
R201	27004255	RES. 475K F 1/4W METAL TAPED
R202	27004225	RES. 475 F 1/4W METAL TAPED
R204	27004210	RES. 100K F 1/4W METAL TAPED
R205	27004570	RES. 221 F 1/4W METAL TAPED
R206	27004050	RES. 1K F 1/4W METAL TAPED
R207	27004070	RES. 2.21K F 1/4W METAL TAPED
R208-209	27004225	RES. 475 F 1/4W METAL TAPED
R210	27004390	RES. 8.25K F 1/4W METAL TAPED
R211	27004070	RES. 2.21K F 1/4W METAL TAPED
R212	27004670	RES. 100 F 1/4W METAL TAPED
R213	27004140	RES. 332 F 1/4W METAL TAPED

REPAIR PARTS LIST MODEL GTP-350

SCHEMATIC LOCATION	PART NO.	DESCRIPTION
R214	27004200	RES. 10K F 1/4W METAL TAPED
R215	27004600	RES. 4.75K F 1/4W METAL TAPED
R216	27004210	RES. 100K F 1/4W METAL TAPED
R217	27004600	RES. 4.75K F 1/4W METAL TAPED
R218	27004570	RES. 221 F 1/4W METAL TAPED
R512	27004070	RES. 2.21K F 1/4W METAL TAPED
R601-602	27004050	RES. 1K F 1/4W METAL TAPED
R605-612	27004050	RES. 1K F 1/4W METAL TAPED
R613-616	27004160	RES. 47.5K F 1/4W METAL TAPED
R619-620	27004160	RES. 47.5K F 1/4W METAL TAPED
R623-624	27004050	RES. 1K F 1/4W METAL TAPED
R625-626	27004200	RES. 10K F 1/4W METAL TAPED
R629-630	27004210	RES. 100K F 1/4W METAL TAPED
R631	27004225	RES. 475 F 1/4W METAL TAPED
R633	27004225	RES. 475 F 1/4W METAL TAPED
R634-635	27004210	RES. 100K F 1/4W METAL TAPED
R636	27004255	RES. 475K F 1/4W METAL TAPED
R638	27004320	RES. 47.5 F 1/4W METAL TAPED
R639-640	27004070	RES. 2.21K F 1/4W METAL TAPED
R647-648	27004300	RES. 15K F 1/4W METAL TAPED
R649-650	27004345	RES. 1M F 1/4W METAL TAPED
R651-652	27004120	RES. 22.1K F 1/4W METAL TAPED
R653-654	27004375	RES. 3.92K F 1/4W METAL TAPED
R655-656	27004620	RES. 7.5K F 1/4W METAL TAPED
R657	27004600	RES. 4.75K F 1/4W METAL TAPED
R658	27004160	RES. 47.5K F 1/4W METAL TAPED
R659-660	27004050	RES. 1K F 1/4W METAL TAPED
R661-664	27004040	RES. 6.81K F 1/4W METAL TAPED
R665-666	27004050	RES. 1K F 1/4W METAL TAPED
R667-668	27004040	RES. 6.81K F 1/4W METAL TAPED
R669-670	27004050	RES. 1K F 1/4W METAL TAPED
R671	27004620	RES. 7.5K F 1/4W METAL TAPED
R672	27004160	RES. 47.5K F 1/4W METAL TAPED
R675-676	27004225	RES. 475 F 1/4W METAL TAPED
R677-678	27004630	RES. 221K F 1/4W METAL TAPED
R679-680	27004270	RES. 3.32K F 1/4W METAL TAPED
R681-682	27004620	RES. 7.5K F 1/4W METAL TAPED
R683-684	27004200	RES. 10K F 1/4W METAL TAPED
R685-686	27004490	RES. 47 J 1/2W METAL FORMING
R687-688	27004240	RES. 27.4K F 1/4W METAL TAPED
R691-692	27004200	RES. 10K F 1/4W METAL TAPED
R701-702	27004160	RES. 47.5K F 1/4W METAL TAPED
R905	27004070	RES. 2.21K F 1/4W METAL TAPED
R907-908	27003410	RES. 182 F 1/4W METAL TAPED
R909	27004260	RES. 2.74K F 1/4W METAL TAPED

REPAIR PARTS LIST MODEL GTP-350

SCHEMATIC LOCATION	PART NO.	DESCRIPTION
R910	27004670	RES. 100 F 1/4W METAL TAPED
R911	27004070	RES. 2.21K F 1/4W METAL TAPED
R912	27003360	RES. 681R F 1/4W METAL OXIDE FILM
R913	27004050	RES. 1K F 1/4W METAL TAPED
R914	27004260	RES. 2.74K F 1/4W METAL TAPED
R916	27004300	RES. 15K F 1/4W METAL TAPED
R917	27004260	RES. 2.74K F 1/4W METAL TAPED
R918	27004300	RES. 15K F 1/4W METAL TAPED
R919	27004200	RES. 10K F 1/4W METAL TAPED
R920	27004070	RES. 2.21K F 1/4W METAL TAPED
S1	37001145	POWER SW TV-5
S6-7	37001160	FUNCTION SW 4TR-2569 045N 25M
SW601	37001345	4 KEY PUSH SW 4TR-2993
VR100-101	35001250	RES. SEMI-FIXED RH0615C33300
VR102	35001220	RES. SEMI-FIXED RH0615C10400
VR601	35001265	VR 4TR-2685 50KBX2 VOLUME
VR602-603	35001010	VR 4TR-1742 20KBX2 TONE
VR604	35001040	VR 4TR-2246 50KMN BALANCE
X101-102	18001090	CERAMIC FILTER SFE10.7MS2GY-A
X103	18001080	CERAMIC FILTER SFP450H
X104	18001015	CERAMIC FILTER BFU450C
X105	18001060	CERAMIC FILTER CSB456F11
C800	12002070	CAP. 50V 0.01UF CERAMIC
C801	12005400	CAP. SK 10V 4700UF ELEC.
C802-803	12002085	CAP. 50V 30PF SL CERAMIC
C804	12005110	CAP. SK 50V 1UF ELEC.
C805,807	12005090	CAP. SK 25V 10UF ELEC.
C806	12005080	CAP. SK 16V 100UF ELEC.
C808	12002200	CAP. 50V 330PF SL CERAMIC
D001	16001203	DIODE LN01203C-(L) RED
D800	17001050	FL TUBE FIP5BLM8
D801-805	16004148	DIODE 1N4148 1A 75V DETECT
D806	16005100	DIODE RD-5.1E (B2) ZENER
D807-808	16004148	DIODE 1N4148 1A 75V DETECT
D820	16004148	DIODE 1N4148 1A 75V DETECT
D821-825	24001124	DIODE SEL1124R 1X5 RED
IC800	21009301	IC TC9301AN SILICON MONOLITHIC
IC801	21001423	IC LB1423N LEVEL METER
Q800	33005361	TRANSISTOR 2SG536G-NP
R801	27004070	RES. 2.21K F 1/4W METAL TAPED
R802	27004210	RES. 100K F 1/4W METAL TAPED
R803	27004200	RES. 10K F 1/4W METAL TAPED
R804	27004120	RES. 22K1 F 1/4W METAL TAPES
R805	27004120	RES. 22K1 F 1/4W METAL TAPES
R806	27004670	RES. 100 F 1/4W METAL TAPED



REPAIR PARTS LIST MODEL GTP-350

SCHEMATIC LOCATION	PART NO.	DESCRIPTION	
R807	27003050	RES. 100 J 1/2W METAL FORMING	
R808-809	27004160	RES. 47.5K F 1/4W METAL TAPED	
R810	27004210	RES. 100K F 1/4W METAL TAPED	
R811	27004200	RES. 10K F 1/4W METAL TAPED	
S06-16	37001045	TACT SW 4TR-2977 H-7.0MM 4P	
X800	44001010	CRYSTAL OSC HC49U7.2MHZ	
	15001050	AC CORD SPT-2 AWG#16 4TR-670#5 -BM BX	△
	15001150	AC CORD STOPPER SR-5KN-4	△
	25001010	AC OUTLET SOCKET S-16519	△
	15001160	AC POWER CORD 4TR-1037 -EC	△
	15001170	AC POWER CORD C-2504A -UK	△
	47001030	ALUM. SHIELD PLATE 3TPB-7#2	
	10001040	AM LOOP ANT. WITH HOLDER TRL-374	
	11001140	ARROW TYPE BUTTON QK3-21A00T	
	13001050	BOTTOM PLATE 3TUL-6A#1	
	11001040	BUTTON SPRING 4TR-1988A#2	
	47001060	CENTER SUPPORT 4TTZ-6A#1	
	47001000	CYLINDER BUSH 4TVL-8#1 6Fx10H	
	47001010	CYLINDER BUSH 4TVL-8#14 6Fx7H	
	47001120	FELT 4TR-1083B#2 30F	
	47001130	FILTER BOARD 4TTZ-5A#2	
	47001100	FL DIAL BOARD 4TPB-4#2	
	13003030	FRONT CHASSIS 2TPB-2#2	
	13003034	FRONT PANEL 2TPC-1 TFP-706	
	20002056	FUSE HOLDER FH032/S-N2056#06 -BM,BX	△
	23001090	KNOB (23F) QK4-18A#02T	
	23001080	KNOB (23F) QK4-18A01T	
	23001070	KNOB (29F) QK3-16A00T	
	47001110	LED DIFFUSSOR QK4-17A00T	
	20002250	MINI FUSE HOLDER S-N2250#12	△
	47001070	P.V.C PLATE 4TTZ-8	
	47001040	P.V.C SHIELD PLATE 4TPC-6	
	47001090	PANEL WINDOW QK4-10A02T TFP-708	
	47001050	PCB SUPPORT 4TUL-7	
	47001150	PLASTIC FOOT 4TR-1257 20x8	
	11001150	POWER BUTTON QK4-13A00T	
	24002625	POWER TRANSFORMER TT-262-NF	△
	13003033	PRINTED REAR CHASSIS TRP-637	
	47001140	RUBBER SPACER 4TR-2335	
	47001080	RUBBER SPACER 4TR-3020	
	39001260	SHIPPING CARTON 4TR-2850#11	

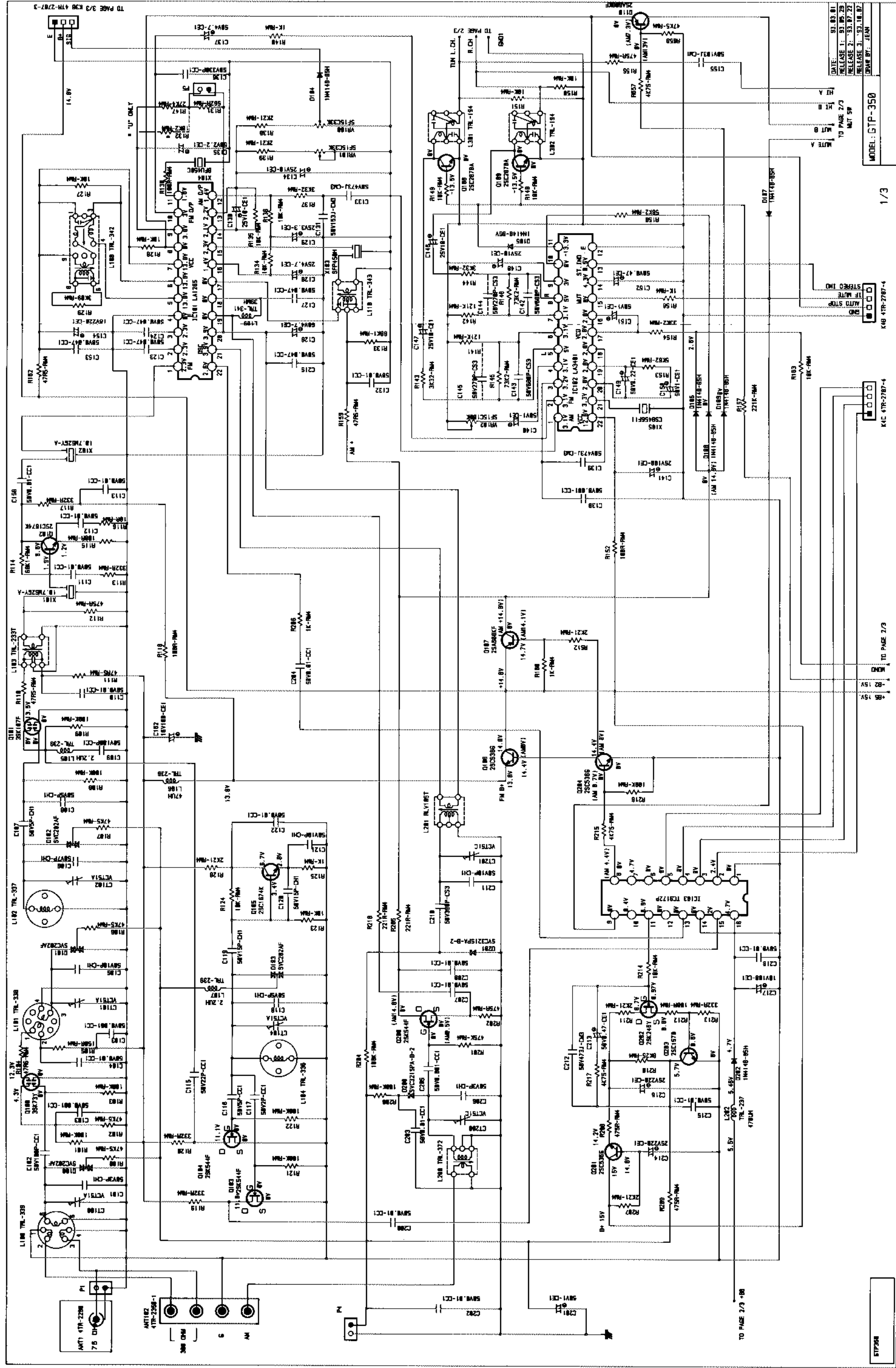
REPAIR PARTS LIST MODEL GTP-350

SCHEMATIC LOCATION	PART NO.	DESCRIPTION
	13003031	SIDE CHASSIS (L) 3TPB-5
	13003032	SIDE CHASSIS (R) 3TUL-4D#2
	40001190	STYROL PACKING 2TR-2222A TZ-165
	47001020	SW HOLDER QK4-28A00T
	11001130	TACT BUTTON (10F) QK4-14A02T
	11001170	TACT BUTTON CONNECTOR QK4-19A01T
	11001160	TACT BUTTON CONNECTOR QK4-19A02T
	11001120	TACT BUTTON RING (10F) QK4-22A00T
	11001110	TACT BUTTON RING (POWER) QK4-12A00T
	13001040	UPPER COVER 3TR-2221B#1

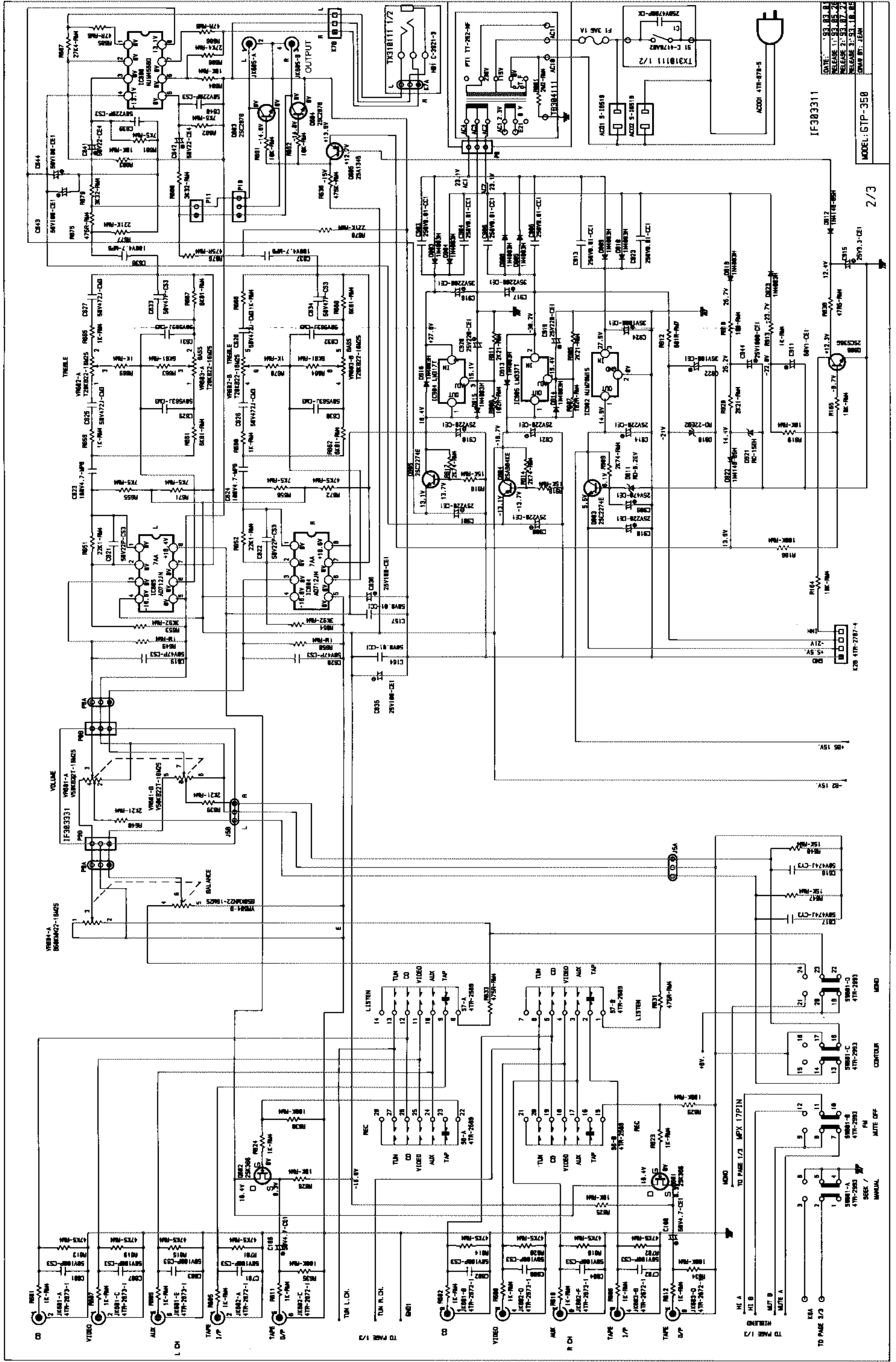


Because of fire, shock and/or other hazards, parts identified by, and listed with, this sign **MUST** be replaced with the **IDENTICAL FACTORY PART** listed in the **SERVICE PARTS LIST**. No substitutions with other "equivalent" parts can be made.

SCHEMATIC DIAGRAM: GTP-350 1/3



SCHEMATIC DIAGRAM: GTP-350 2/3

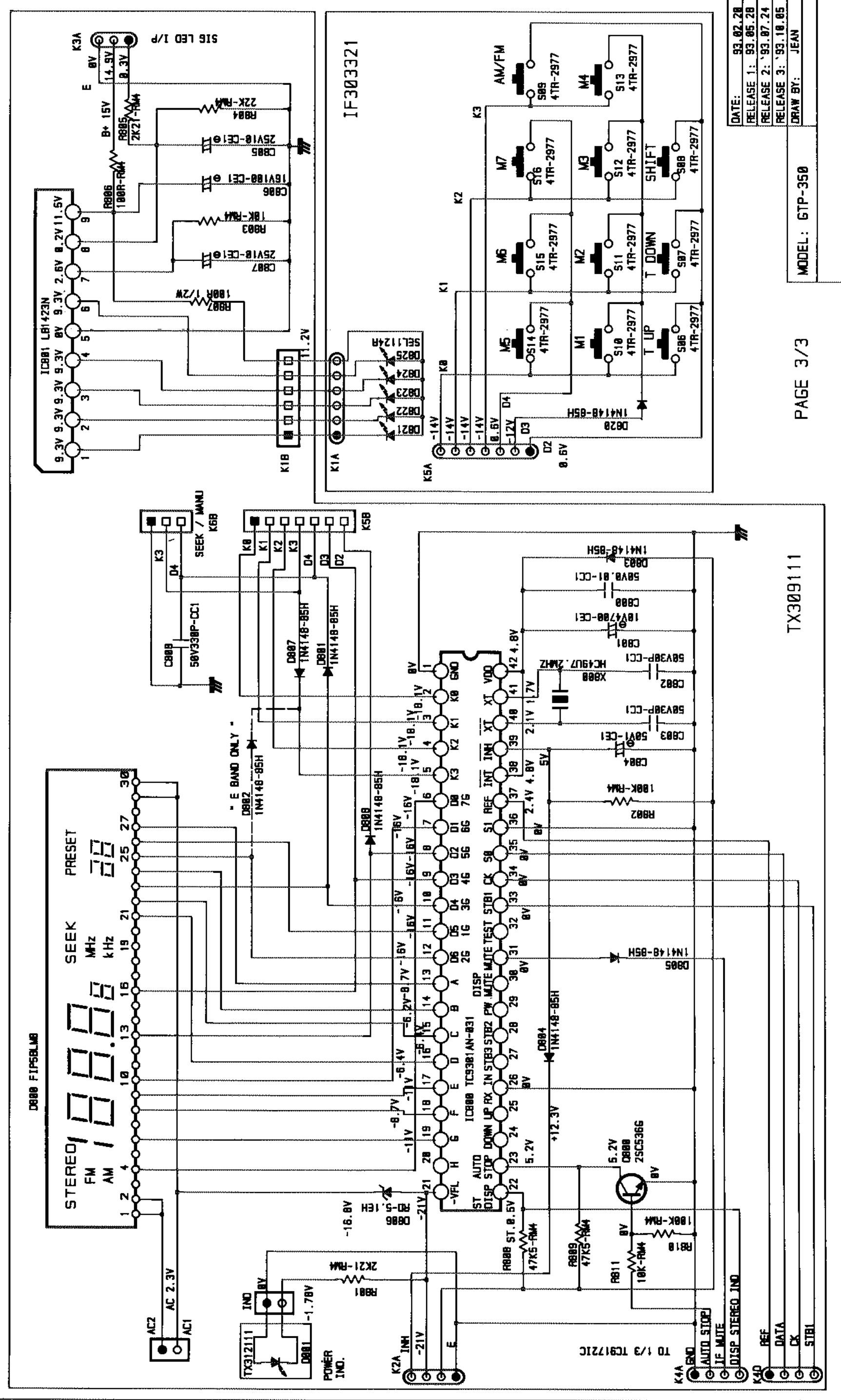


DATE: 93.03.08
RELEASE: 93.05.28
RELEASE: 93.07.27
RELEASE: 93.08.18
DRAWN BY: LEAN

IC303331

MODEL: GTP-350

SCHEMATIC DIAGRAM: GTP-350 3/3



TX309111

MODEL: GTP-350

PAGE 3/3

DATE: 93.02.28
 RELEASE 1: 93.05.28
 RELEASE 2: 93.07.24
 RELEASE 3: 93.10.05
 DRAW BY: JEAN