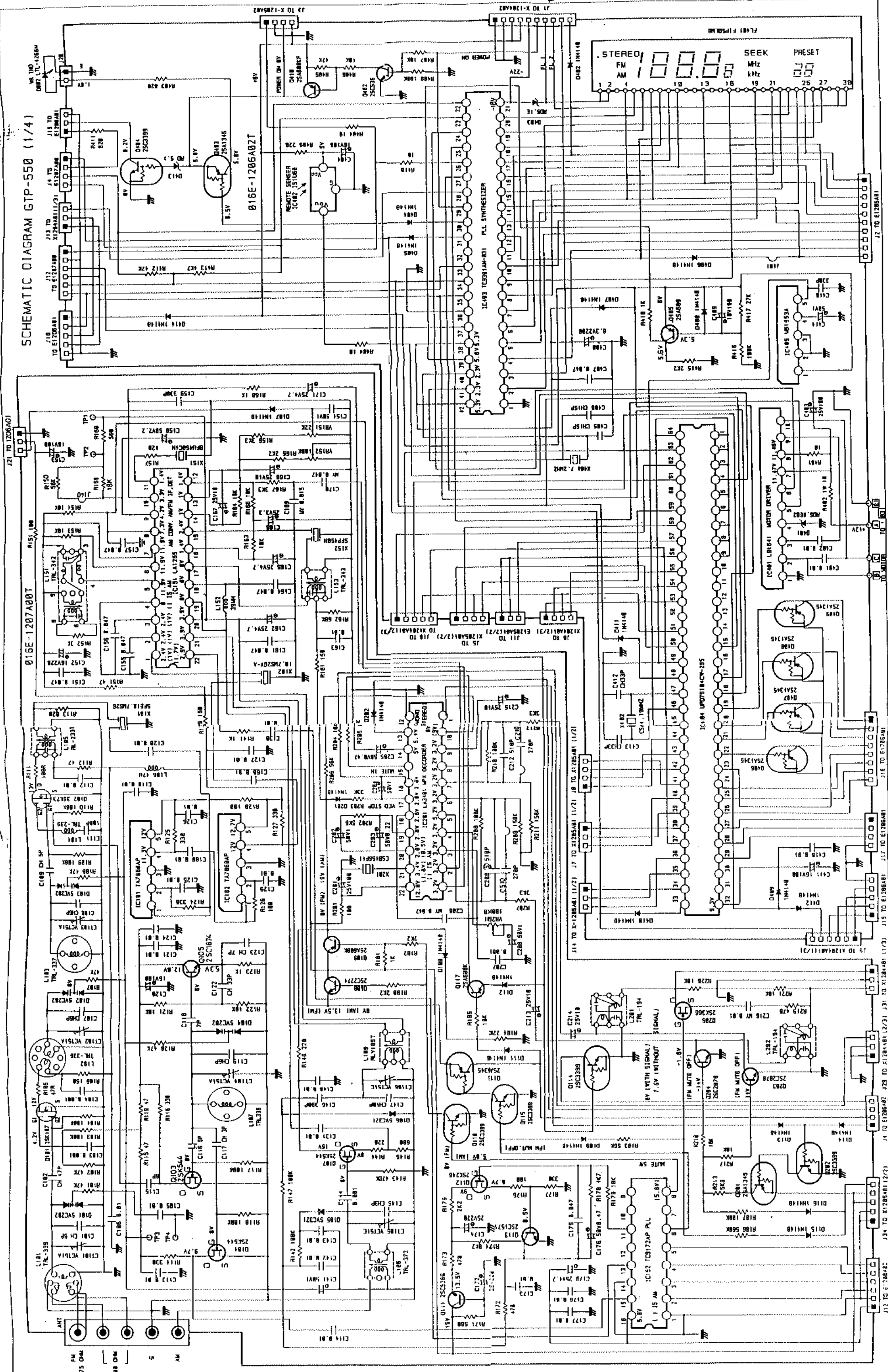
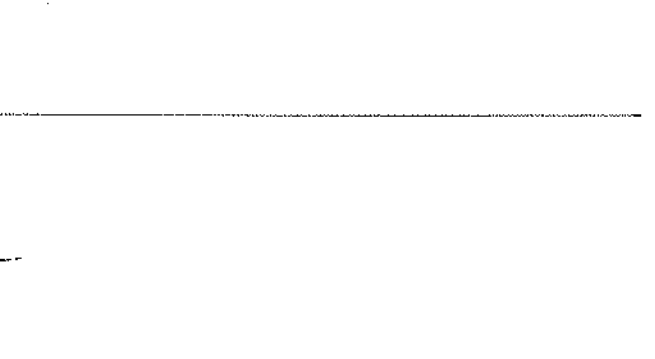
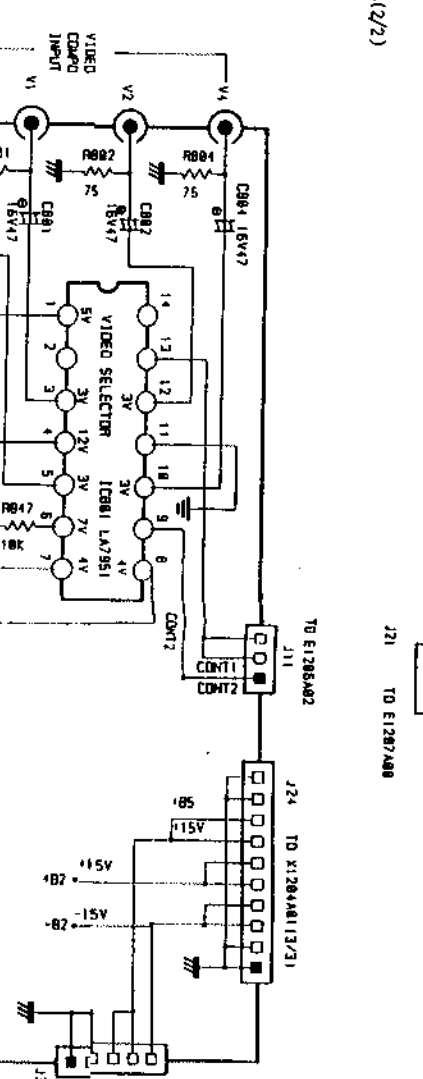
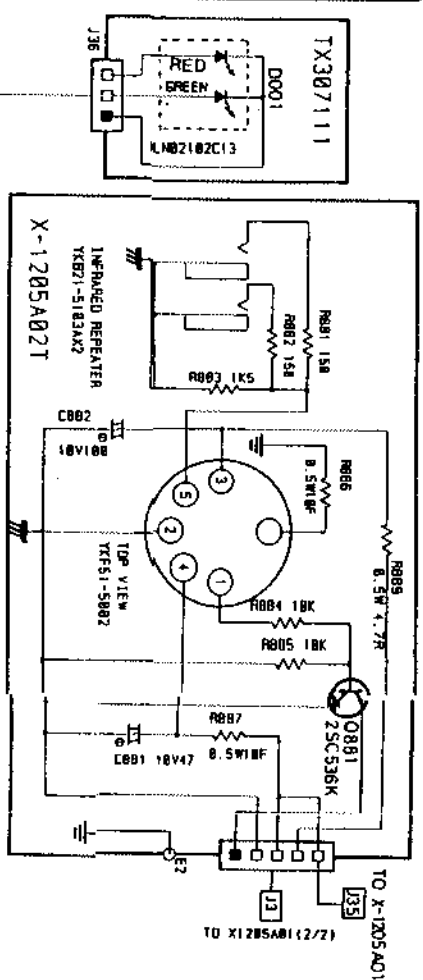
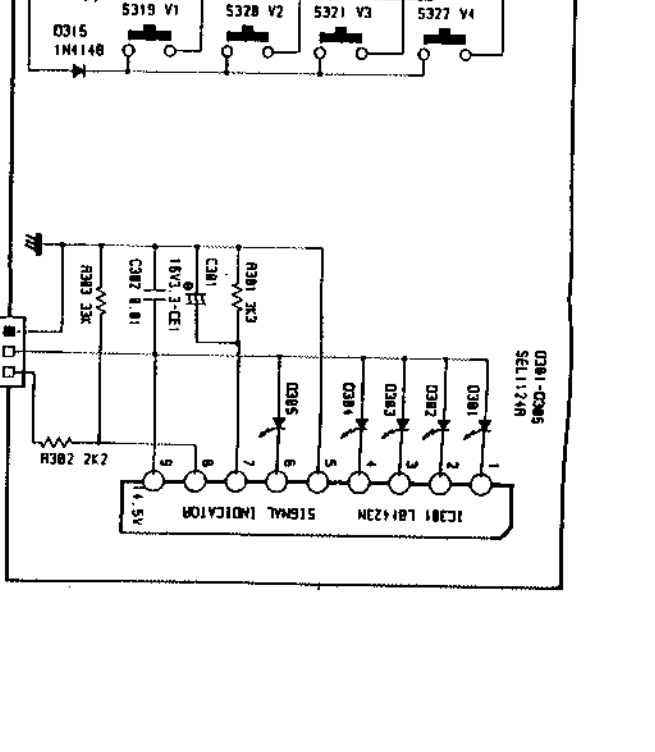
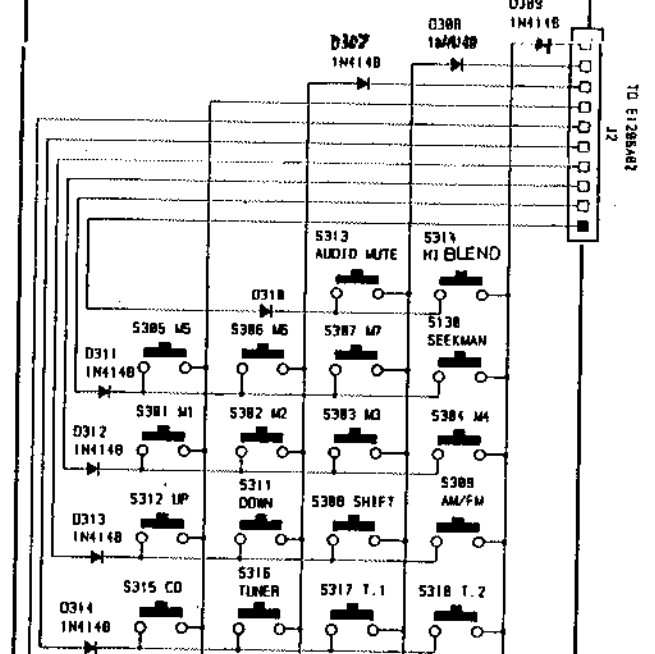
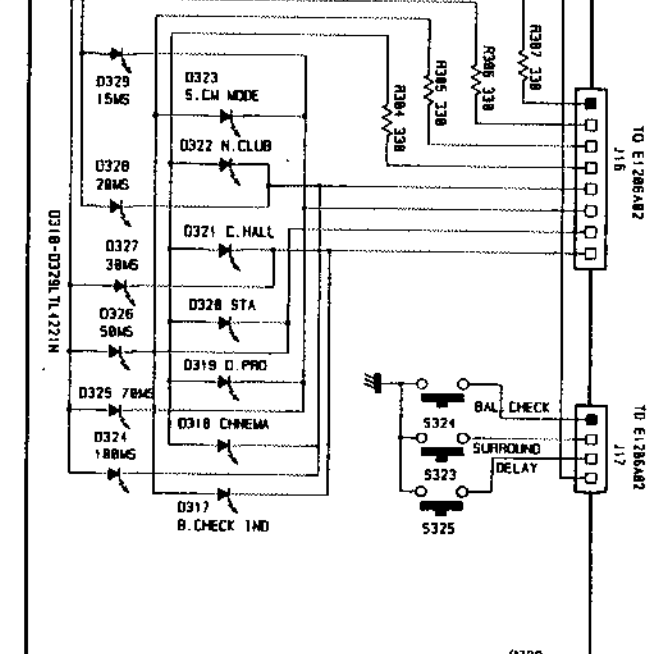
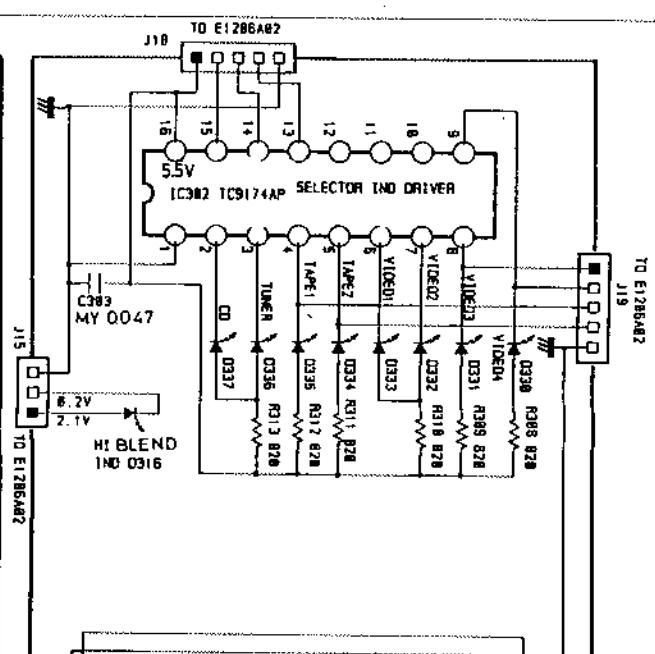
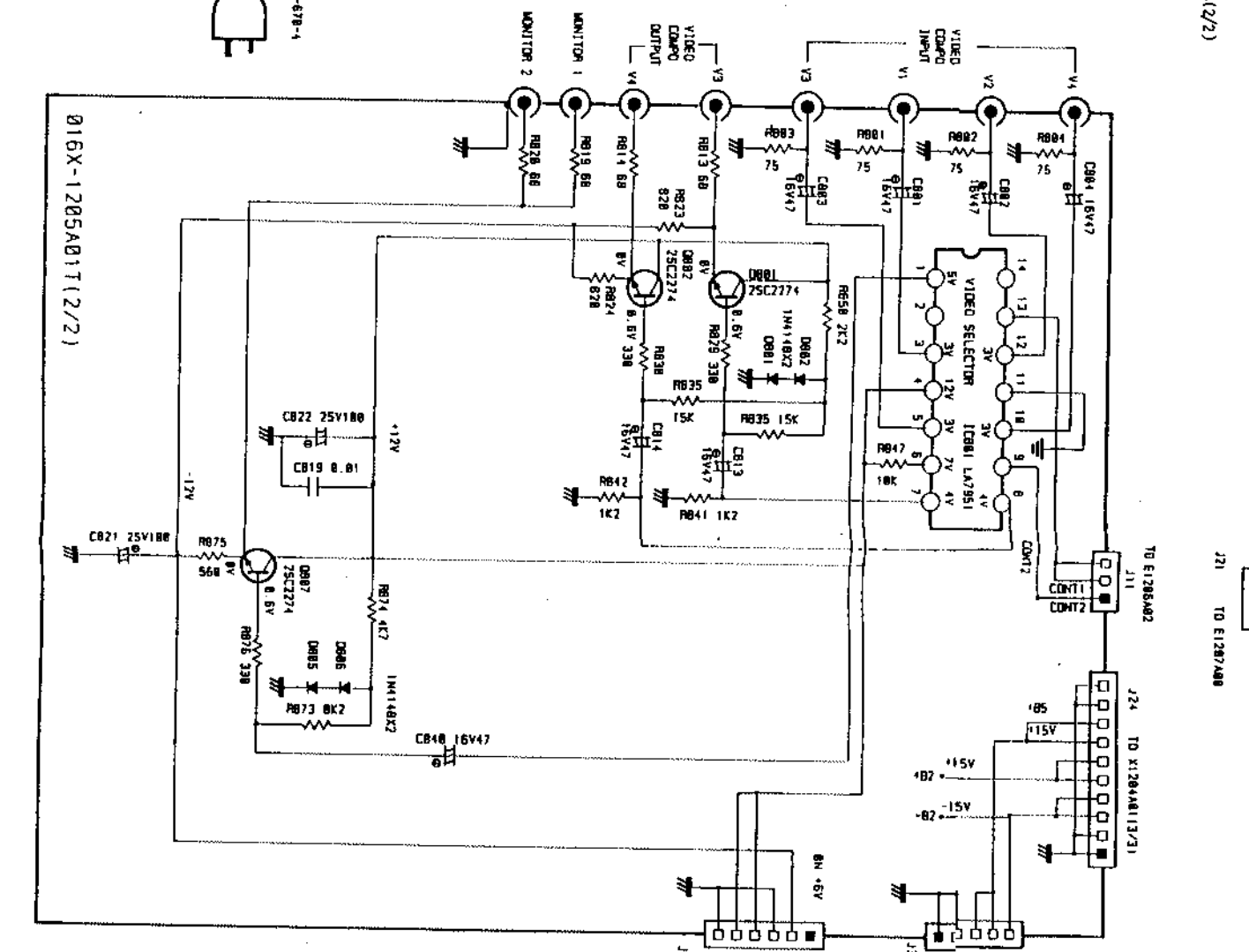
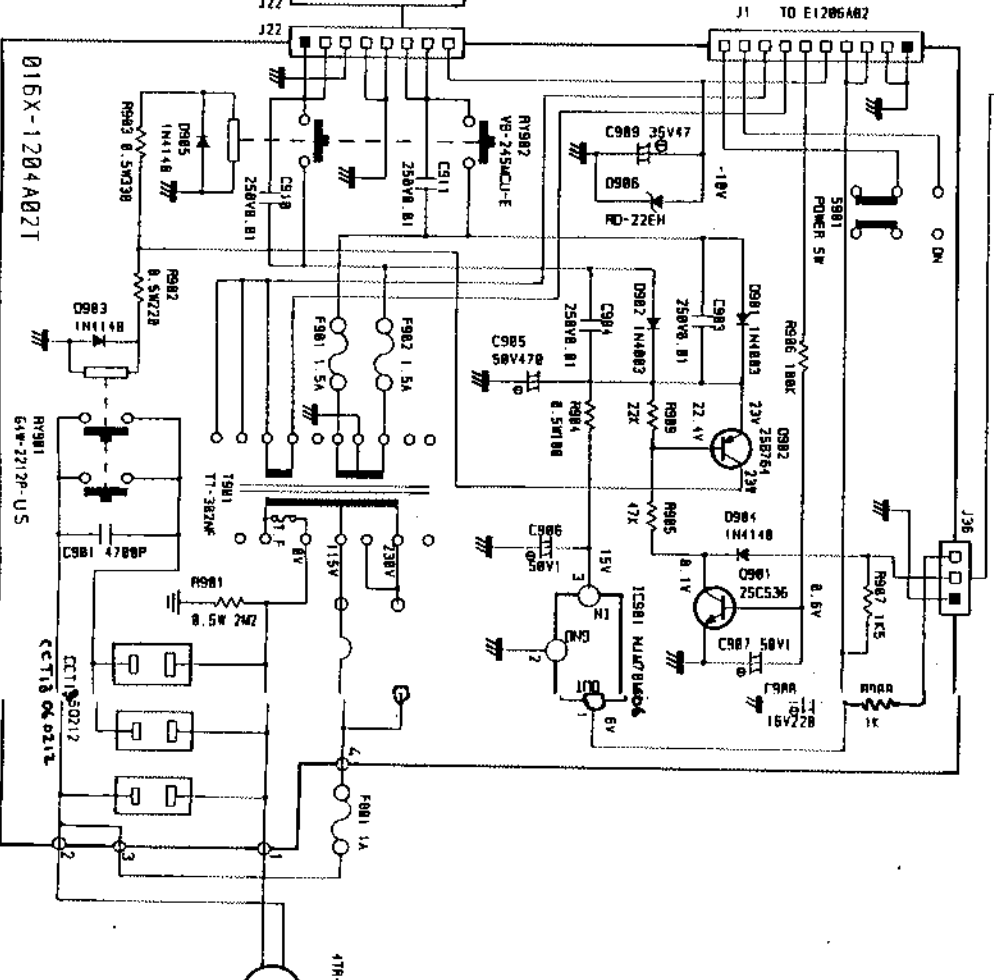
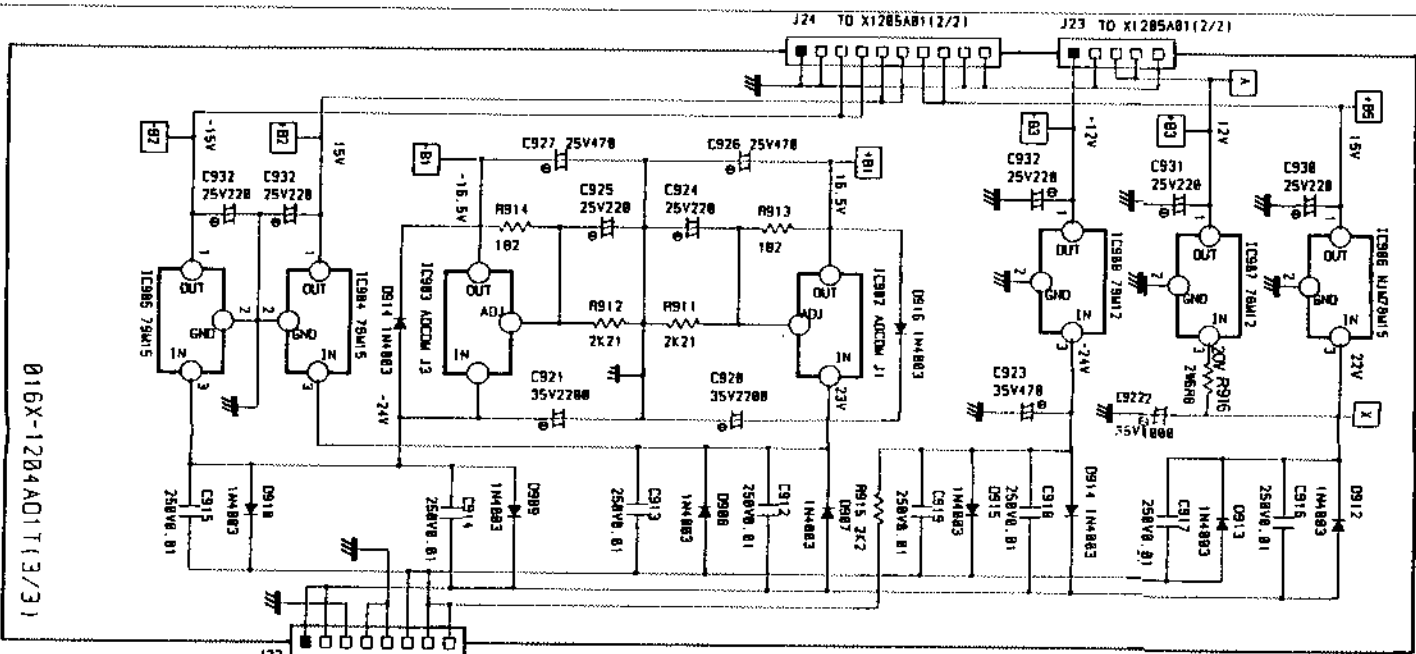
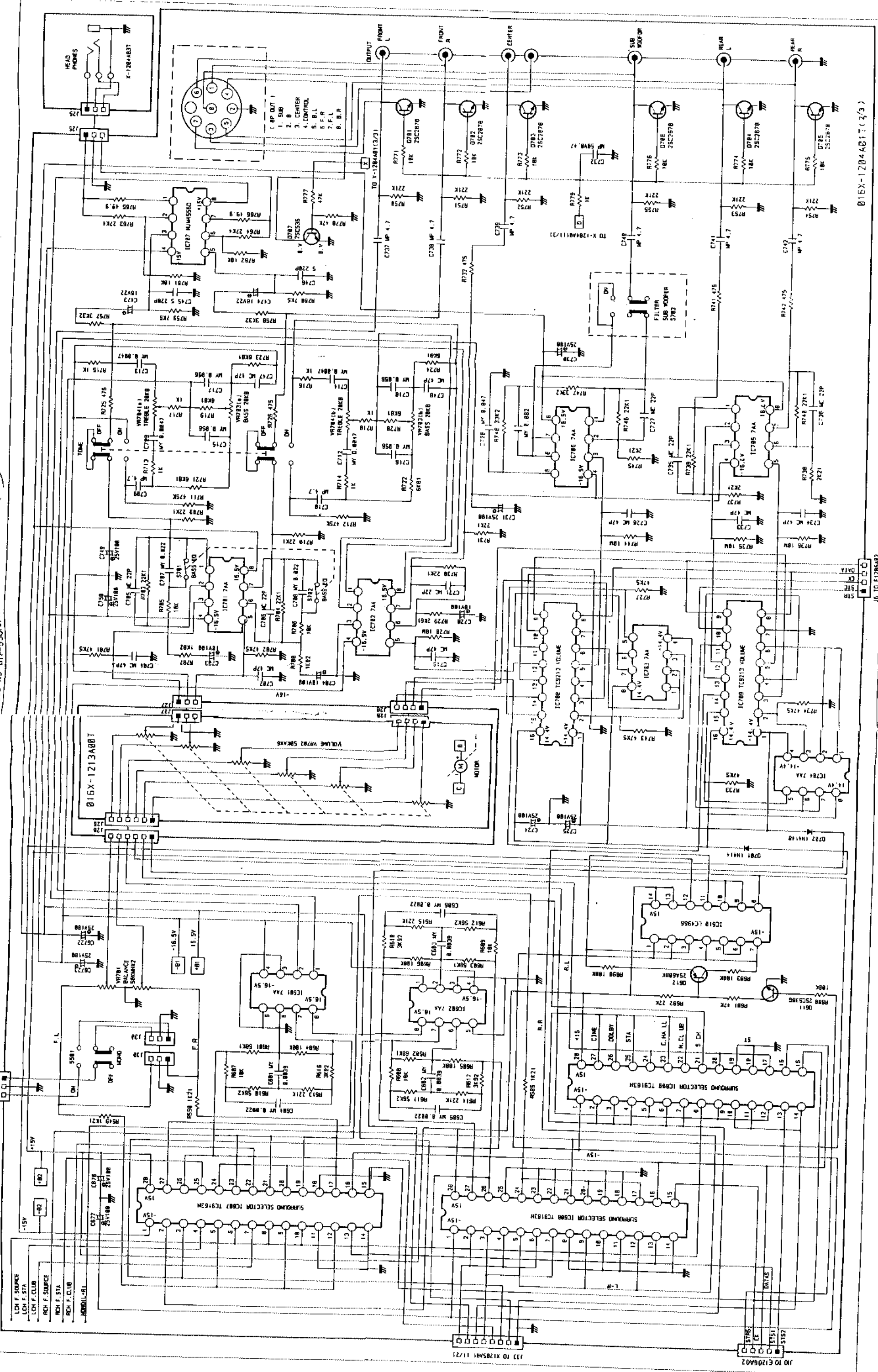


SCHEMATIC DIAGRAM GTP-550 (1/4)







SCHEMATIC DIAGRAM GTP-550 (4 / 4)
 016X-1204A01(1/3)

