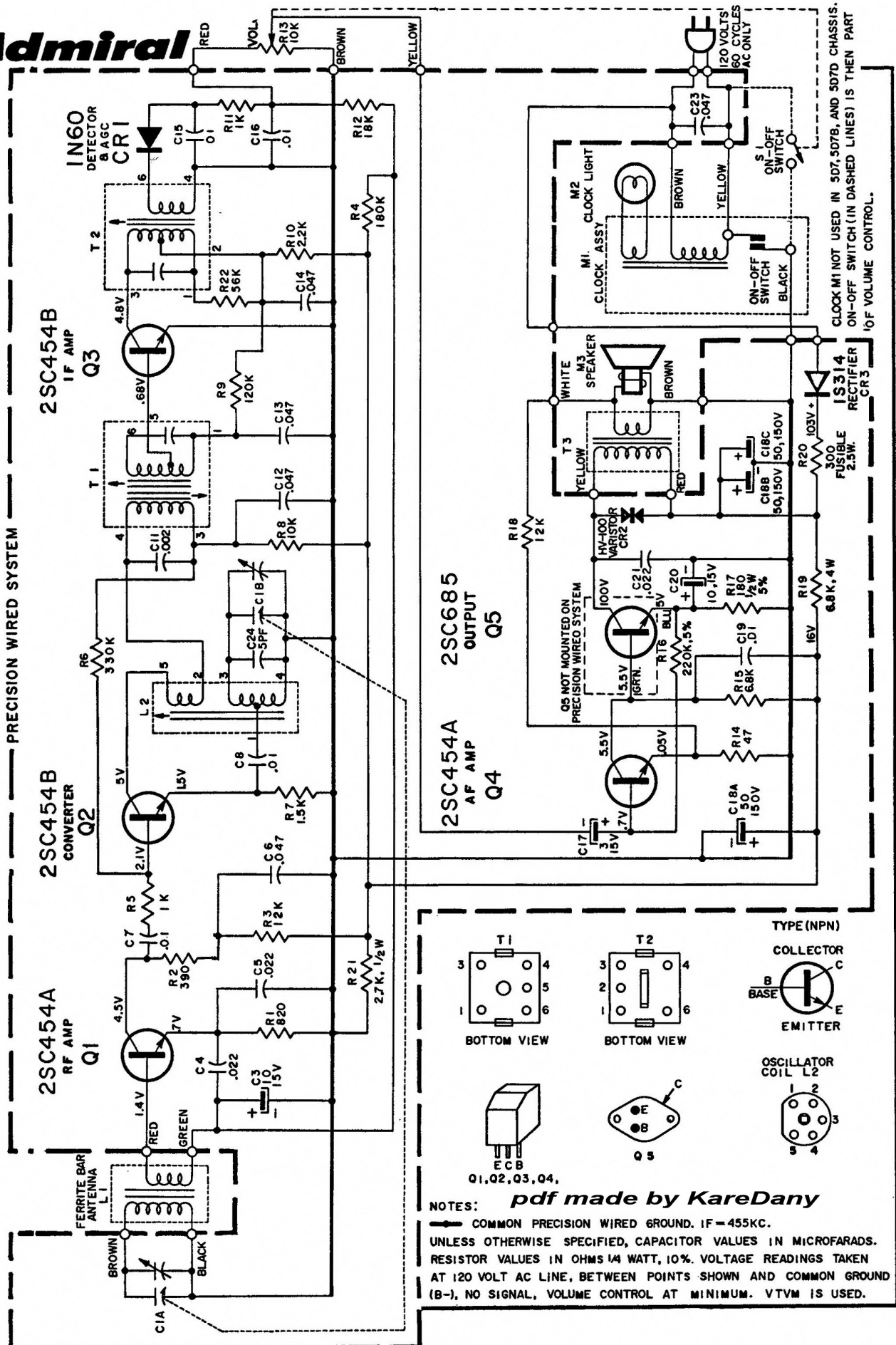


# Admiral



5D7, 5D7A, 5D7B, 5D7C, 5D7D, 5D7E SCHEMATIC DIAGRAM

NOTES:  
 COMMON PRECISION WIRED GROUND. IF = 455KC.  
 UNLESS OTHERWISE SPECIFIED, CAPACITOR VALUES IN MICROFARADS.  
 RESISTOR VALUES IN OHMS 1/4 WATT, 10%. VOLTAGE READINGS TAKEN AT 120 VOLT AC LINE, BETWEEN POINTS SHOWN AND COMMON GROUND (B-), NO SIGNAL, VOLUME CONTROL AT MINIMUM. VTVM IS USED.

pdf made by KareDany