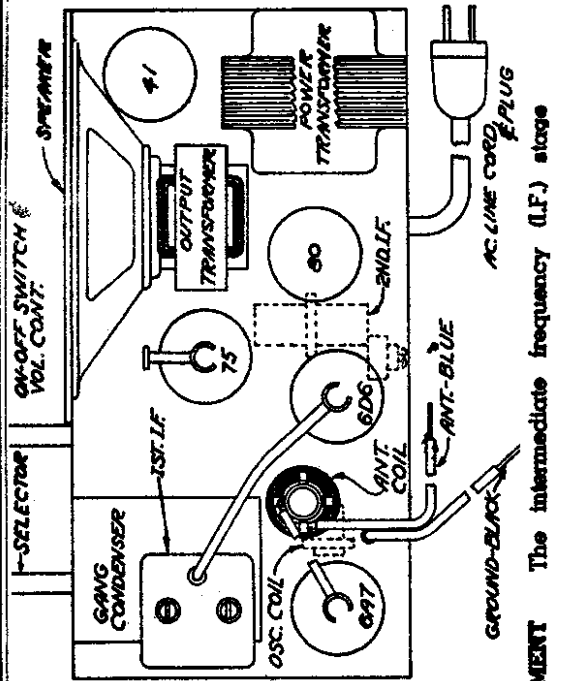


ADMIRAL CORPORATION

MODELS 5F, 5F-PH

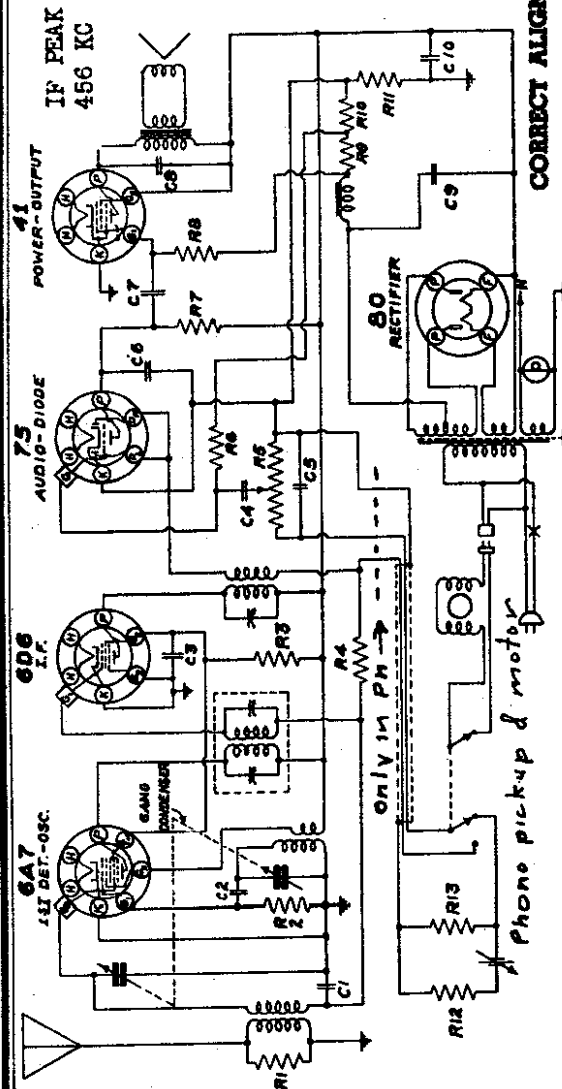


CORRECT ALIGNMENT PROCEDURE
The intermediate frequency (I.F.) stage should be aligned properly as the first step.

After the I.F. transformers have been properly adjusted and peaked, the Broadcast Band alignment should be the next procedure

I.F. ALIGNMENT
Adjust the test oscillator to 456 KC and connect the output to the grid of the first detector tube (6A7) through a .05 or .1 mfd. condenser. The ground on the test oscillator can be connected to the chassis ground. Align all three I.F. trimmers to peak or maximum reading on the output meter.

BROADCAST BAND ALIGNMENT
Adjust the oscillator to 1730 KC and connect the output to the antenna lead, through a .0002 mfd. mica condenser. Set the gang condenser to minimum capacity and adjust the gang condenser trimmer (oscillator) to receive this signal. After this has been carefully done, the next step is to set the generator to 1400 KC and after tuning in the signal adjust the antenna trimmer to peak. This is all that is necessary for the alignment unless the plates of the gang condenser have been bent out of shape. In case of bent plates, set the test oscillator and the receiver to 600 KC and bend the plates into the position for maximum output.



RESISTORS		CAPACITORS	
VAL.	WATT.	TYPE	TYPE
R1	10,000	R1	MICA
R2	50,000	R2	500025
R3	15,000	R3	500025
R4	2,000,000	R4	500025
R5	500,000	R5	500025
R6	2,000,000	R6	500025
R7	200,000	R7	500025
R8	100,000	R8	500025
R9	100,000	R9	500025
R10	100,000	R10	500025
R11	100,000	R11	500025
R12	100,000	R12	500025
R13	100,000	R13	500025

- TRANSFORMERS AND COILS**
 P2484 1st I.F. Transformer
 P2393 Antenna Coil
 P2485 2nd I.F. Transformer
 P2498 Oscillator Coil
 P2453 Power Transformer
- MISCELLANEOUS**
 P2450 Volume Control and Switch
 P508 6A7 Tube Socket
 P538 8D6 Tube Socket
 P521 75 Tube Socket
 P1277 41 Tube Socket
 P492 80 Tube Socket
 P531 Tube Shield Cap
 P530 Tube Shield
 P533 Tube Shield Base
 P829 AC Line Cord
 G5648 Dial and Drive Assembly
 P1503 Pilot Light Socket
 P1504 Pilot Light
 P2454 Speaker and Output Transformer
 P2459 Walnut Knobs
 P2460 Ivory Knobs
- PAPER CONDENSERS**
 P184 .01 Mfd. 400 V.
 P142 .10 Mfd. 200 V.
 P276 .10 Mfd. 400 V.
- CARBON RESISTORS**
 P258 15,000 Ohm 1/4 Watt
 P2188 2,000,000 Ohm 1/4 Watt
 P2340 40 Ohm 1/4 Watt ±10%
 P1896 225 Ohm 1/4 Watt ±10%
 P2498 170 Ohm 1/4 Watt ±10%
 P137 500,000 Ohm 1/4 Watt
 P1220 200,000 Ohm 1/4 Watt
 P1114 2,000,000 Ohm 1/4 Watt
 P417 500,000 Ohm 1/4 watt
- MOULDED MICA CONDENSERS**
 P480 .0001 Mfd. Mica
 P817 .00025 Mfd. Mica
- ELECTROLYTIC CONDENSERS**
 P2458 8 Mfd. 300 W. V.
- ADJUSTABLE CONDENSERS**
 P2448 Gang Condenser