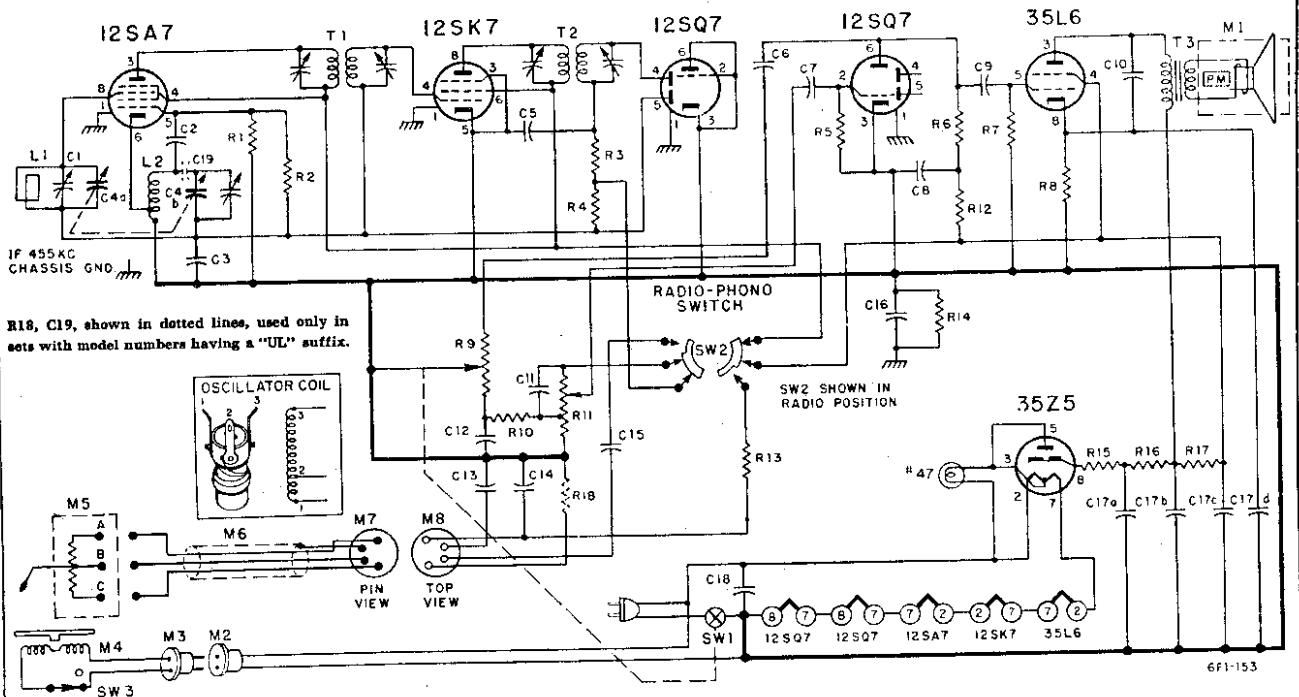


MODELS 6F10, 6F11,  
6F12, Ch. 6F1



### ALIGNMENT PROCEDURE

- Check pointer position. With tuning gang closed, the tip of the pointer clip should be over the 1/16" circular punch at the extreme left end of the dial background (see stringing diagram).
- Connect output meter across voice coil.
- Turn receiver volume control full on; set tone control at full treble.
- Loop antenna must be connected and placed in the same

relative position to the chassis as when in cabinet.

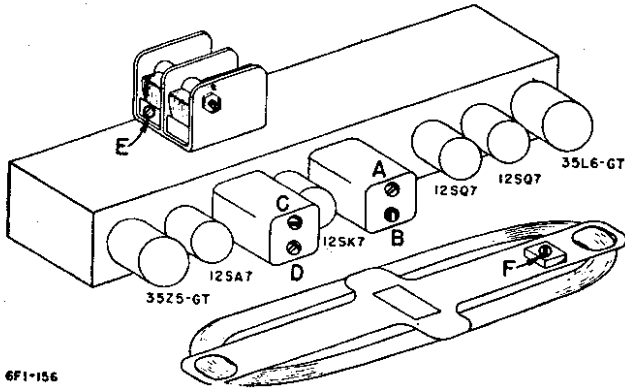
- Use an isolation transformer if available, otherwise connect a .1 mfd. condenser in series with low side of signal generator and attach to B minus of chassis.
- Use lowest output setting of signal generator capable of producing adequate output meter indication and proceed in the following sequence.
- Repeat adjustments to insure good results.

| Step | Dummy Antenna in Series with Signal Generator  | Connection of Signal Generator (High Side)   | Signal Generator Frequency | Receiver Gang Setting    | Trimmer Description | Trimmer Designation | Type of Adjustment |
|------|--|--|----------------------------|--------------------------|---------------------|---------------------|--------------------|
| 1    | 250 mmfd. condenser  | Tuning condenser, antenna stator             | 455 KC                     | Gang fully open          | 2nd IF<br>1st IF    | A, B<br>C, D        | Maximum output     |
| 2    | 250 mmfd. condenser  | Tuning condenser, antenna stator             | 1630 KC                    | Gang fully open          | Oscillator          | E                   | Maximum output     |
| 3    | Loop of several turns of wire, or place generator lead close to receiver loop for adequate signal. | No physical connection (signal by radiation) | 1400 KC                    | Tune in generator signal | Antenna             | F (see note below)  | Maximum output     |

NOTE: Antenna Trimmer "F" must be aligned after chassis and loop are mounted in cabinet. Loop trimmer adjustment is located at the rear of the cabinet.

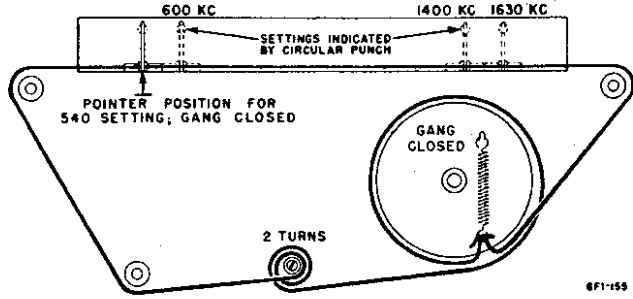
MODELS 6F10, 6F11,  
6F12, Ch. 6F1

**TUBE AND TRIMMER LOCATION**



6F1-156

**DIAL STRINGING AND POINTER SETTING**

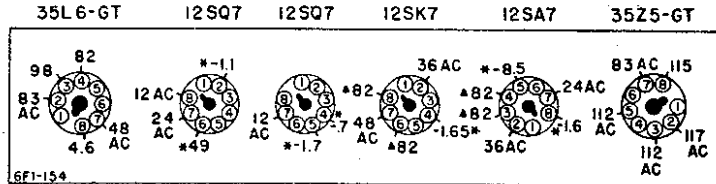


6F1-155

With the gang fully closed, the tip of the pointer clip should be in line with the 1/16" circular punch at the extreme left end of the dial background.

**VOLTAGE DATA**

- All readings made between tube socket terminals and B minus (terminal of On-Off switch).
- Switch in "Radio" position.
- Measured on 117 Volt AC line.
- Volume control minimum; dial turned to low frequency end.
- Voltages measured with Vacuum Tube Voltmeter. Readings taken with a 1000 ohm-per-volt meter will be approximately the same except for those marked with an asterisk \* in the voltage chart; these readings will either be lower or practically zero.



INSIDE BOTTOM VIEW  
\* If taken with a 1000 ohm-per-volt meter, readings will be lower or practically zero.  
▲ On "Phono" these voltages will be zero. All other DC readings may be slightly higher.

**RESISTORS**

| Symbol | Description                                  | Part No.   |
|--------|--|------------|
| R1     | 22,000 Ohms, 1/2 Watt                        | 60B 8-223  |
| R2     | 10 Megohms, 1/2 Watt                         | 60B 8-106  |
| R3     | 100,000 Ohms, 1/2 Watt                       | 60B 8-104  |
| R4     | 1 Megohm, 1/2 Watt                           | 60B 8-105  |
| R5     | 4.7 Megohms, 1/2 Watt                        | 60B 8-475  |
| R6     | 470,000 Ohms, 1/2 Watt                       | 60B 8-474  |
| R7     | 470,000 Ohms, 1/2 Watt                       | 60B 8-474  |
| R8     | 150 Ohms, 1/2 Watt                           | 60B 14-151 |
| R9     | 2 Megohms Tone Control and On-Off Switch SW1 | 75B 1-12   |
| R10    | 27,000 Ohms, 1/2 Watt                        | 60B 8-273  |
| R11    | 1 Megohm Volume Control                      | 75B 2-6    |
| R12    | 47,000 Ohms, 1/2 Watt                        | 60B 8-473  |
| R13    | 22,000 Ohms, 1/2 Watt                        | 60B 8-223  |
| R14    | 150,000 Ohms, 1/2 Watt                       | 60B 8-154  |
| R15    | 33 Ohms, 1 Watt                              | 60B 28-3   |
| R16    | 220 Ohms, 1 Watt                             | 60B 28-7   |
| R17    | 1,000 Ohms, 1 Watt                           | 60B 28-2   |
| R18    | 33,000 Ohms, 1/2 Watt                        | 60B 8-333  |

(R18 used only in sets with model numbers having a "UL" suffix)

**CONDENSERS**

|                                   |                           |            |
|-----------------------------------|---------------------------|------------|
| C1                                | Trimmer, 3 to 30 mfd.     | Part of L1 |
| C2                                | 50 mfd., Ceramic          | 65B 6-4    |
| C3                                | .1 mfd., 200 Volts, Paper | 64B 1-30   |
| C4a                               | Gang-0 to 420 mfd.        | A1654      |
| C4b                               | Gang-0 to 162 mfd.        | A1654      |
| (This gang stamped 68B5 or 68B20) |                           |            |
| OR                                |                           |            |
| C4a                               | Gang-0 to 420 mfd.        | A1726      |
| C4b                               | Gang-0 to 108 mfd.        | A1726      |
| (This gang stamped 68B20-1)       |                           |            |

Note—Gang spot welded to dial drum.

|     |                             |          |
|-----|-----------------------------|----------|
| C5  | 250 mfd., Ceramic           | 65B 6-5  |
| C6  | .002 mfd., 600 Volts, Paper | 64B 1-14 |
| C7  | .01 mfd., 400 Volts, Paper  | 64B 1-25 |
| C8  | .1 mfd., 200 Volts, Paper   | 64B 1-30 |
| C9  | .01 mfd., 400 Volts, Paper  | 64B 1-25 |
| C10 | .03 mfd., 400 Volts, Paper  | 64B 1-23 |
| C11 | 500 mfd., Ceramic           | 65B 6-6  |
| C12 | .01 mfd., 400 Volts, Paper  | 64B 1-25 |
| C13 | .05 mfd., 400 Volts, Paper  | 64B 1-22 |
| C14 | .18 mfd. 200 Volts, Paper   | 64A 2-2  |

**COILS, TRANSFORMERS, Etc.**

| Symbol | Description                 | Part No.        |
|--------|-----------------------------|-----------------|
| C15    | .001 mfd., 600 Volts, Paper | 64B 1-15        |
| C16    | .18 mfd., 200 Volts, Paper  | 64A 2-2         |
| C17a   | 30 mfd., 150 Volts          | Elect. 67A 14-1 |
| C17b   | 30 mfd., 150 Volts          |                 |
| C17c   | 20 mfd., 150 Volts          |                 |
| C17d   | 20 mfd., 25 Volts           |                 |
| C18    | .05 mfd., 400 Volts, Paper  | 64B 1-22        |
| C-19   | .02 mfd., 400 Volts, Paper  | 64B 1-24        |

(Used only in sets with model numbers having a "UL" suffix.)

|  |  |            |
|--|--|------------|
| L1   | Antenna and Trimmer, Loop                | 69B 13     |
|  | Coil, Oscillator                         | 69A 14     |
| (Use with gang stamped 68B5 or 68B20)          |  |            |
| L2   | Coil, Oscillator                         | 69A 52     |
| (Use with gang stamped 68B20-1)                |  |            |
| T1   | Transformer, 1st IF                      | 72B 3      |
| T2   | Transformer, 2nd IF                      | 72B 4      |
| T3   | Transformer, Output                      | 79A 11-2   |
| M1   | Speaker (5") with Output Trans. attached | 78B 19-2   |
|  | Speaker (5") without output Trans.       | 78B 39-1   |
| (Use when output trans. is mounted on chassis) |  |            |
| M2   | Socket, Phono input                      | 88A 8-6    |
| SW1  | Switch, On-Off                           | Part of R9 |
| SW2  | Switch, Radio-Phono                      | 77A 16-4   |

**PHONOGRAPH PARTS**

|                                 |                                 |             |
|---------------------------------|---------------------------------|-------------|
| M3                              | Plug, AC Phono Motor            | 88A 8-1     |
| M4                              | Motor, 60 Cycles, 115 Volts AC  | 407B 3-2    |
| M5                              | Cartridge and Needle, Pickup    | A1372-13    |
| M6                              | Cable, Pickup (3 conductor)     | 89A 18-4    |
| M7                              | Plug, Pickup Cable              | 88A 8-5     |
| SW3                             | Switch, Motor On-Off            | 408A 1      |
| (See caution in changer manual) |                                 |             |
|                                 | Centerpost (includes speed-nut) | G400B 137-1 |
|                                 | Idler Wheel (407B 3-2 Motor)    | G400A 23    |
|                                 | Idler Wheel (407B 1-2 Motor)    | G400A 57    |

**CABINET PARTS**

| Description                            | Part No.  |
|--|-----------|
| Bracket, Dial Scale Mtg.               | 15A 169   |
| Cabinet, Plastic                       |           |
| Bottom Less Lid (Mahog. 6F11)          | 34D 11-12 |
| Lid only (Mahogany 6F11)               | 34D 11-13 |
| Bottom Less Lid (Ebony 6F10)           | 34D 11-14 |
| Lid only (Ebony 6F10)                  | 34D 11-15 |
| *Cabinet, Wood                         |           |
| *Complete (Walnut 6F12)                | 35D 81-1  |
| Lid only (Walnut 6F12)                 | 98A 43-1  |
| Dial Scale, Glass                      | 21B 35-2  |
| Escutcheon Overlay                     | 23C 23-1  |
| Grille Cloth and Baffle                | A1688     |
| Hinge, Butt (for Walnut 6F12)          | 98A 43-3  |
| Knobs, Radio                           |           |
| "Volume" and "Tone" (Mahog. or Wal.)   | 33A 21-5  |
| "Volume" and "Tone" (Ebony)            | 33A 21-6  |
| "Tuning" (Mahog. or Wal.)              | 33B 34-2  |
| "Tuning" (Ebony)                       | 33B 34-4  |
| "Radio-Phono" (Mahog. or Wal.)         | 33B 34-1  |
| "Radio-Phono" (Ebony)                  | 33B 34-3  |
| Rubber Strip, Dial Scale Mtg. (8 1/2") | 12A 9-3   |
| Stay Arm (For Walnut 6F12)             | 98A 43-2  |

**MISCELLANEOUS**

|                                    |         |
|------------------------------------|---------|
| Background, Dial                   | 22B 9-1 |
| Bracket, Tuning Sleeve             | 15A 289 |
| Bracket, Dial Light                | 15A 156 |
| Cartons and Fillers                |         |
| Models 6F11 and 6F10               | 44B 112 |
| Model 6F12                         | 44B 116 |
| Pilot Light No. 47                 | 81A 1-8 |
| Pilot Light Socket and Leads       | 82A 2-4 |
| Pointer, Dial                      | 25A 21  |
| Sleeve, Tuning (Brass)             | 27A 61  |
| Spring, Dial Drum Tension          | 19B 1-3 |
| Washer, Felt ("Volume" and "Tone") | 5A 4-8  |
| Washer, Felt (Center Knob)         | 5A 4-9  |

\* Supplied only if old cabinet cannot be repaired. When ordering, describe condition of old cabinet in detail.