

ALIGNMENT PROCEDURE

- Turn receiver volume control full on.
- Antenna must be connected and placed in the same relative position to the chassis as when in cabinet.
- Use an isolation transformer if available, otherwise connect a .1 mfd. condenser in series with low side of signal generator and connect to chassis. Caution: Do not connect a ground wire directly to chassis.
- Connect output meter across speaker voice coil.
- Use lowest output setting of signal generator capable of producing adequate output meter indication and proceed in the following sequence.
- Repeat adjustments to insure good results.

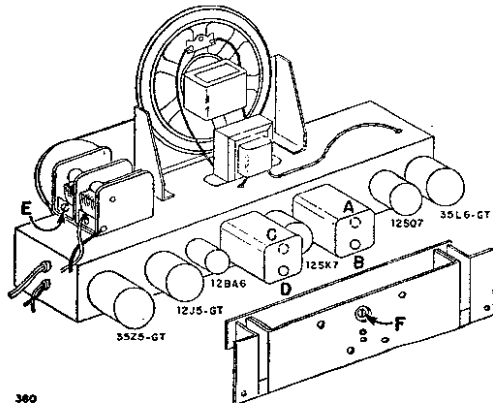
Step	Dummy Antenna in Series with Signal Generator	Connection of Signal Generator (High Side)	Signal Generator Frequency	Receiver Gang Setting	Trimmer Description	Trimmer Designation	Type of Adjustment
1	250 mmfd. condenser	Tuning condenser, antenna stator	455 KC	Gang fully open	2nd IF 1st IF	*A, B *C, D	Maximum output
2	250 mmfd. condenser	Tuning condenser, antenna stator	1620 KC	Gang fully open	Oscillator	E	Maximum output

Mount dial pointer. Set pointer to horizontal position with tuning condenser tuned to 1400 KC generator signal (see illustration below). Rotate the tuning condenser until the pointer is in a vertical position (900 KC), then slip chassis in cabinet, carefully guiding the pointer so that it locates between the dial escutcheon and the cabinet. Install antenna and chassis mounting bolts. The pointer and escutcheon may be mounted after installing the chassis in cabinet as follows: Set pointer to horizontal position with gang tuned to 1400 KC signal. Place escutcheon on cabinet. With long nose pliers slip the hairpin ends of the escutcheon mounting springs in holes of escutcheon tabs.

3	Loop of several turns of wire, or place generator lead close to receiver antenna for adequate signal pickup.	No actual connection (signal by radiation)	1400 KC	Tune in generator signal	Antenna	†F	Maximum output
---	--	--	---------	--------------------------	---------	----	----------------

*Adjustments A and C made from the underside of the chassis. If IF transformers have hollow core slugs, these adjustments may all be made from the top of chassis, if you use alignment tool #98A30-7 obtainable from your Admiral distributor. The bottom IF slug adjustment may be reached through the hollow core in the upper slug.
 †Antenna Trimmer "F" should be aligned after chassis and antenna are mounted in cabinet.

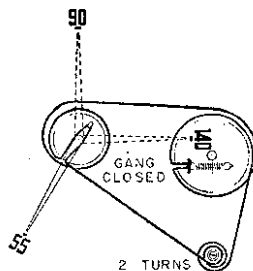
TUBE AND TRIMMER LOCATION



Adjustments A and C made from underside of chassis.

DIAL STRINGING AND POINTER SETTING

Dial stringing and pointer with solid lines shown with gang closed. Dashed line pointer positions (1400 KC and 900 KC) shown when tuning condenser is tuned to generator signal.

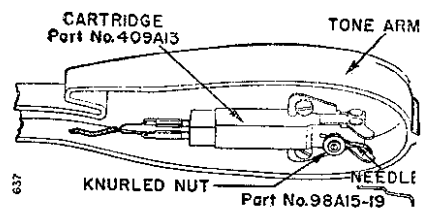
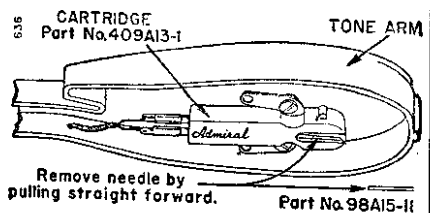


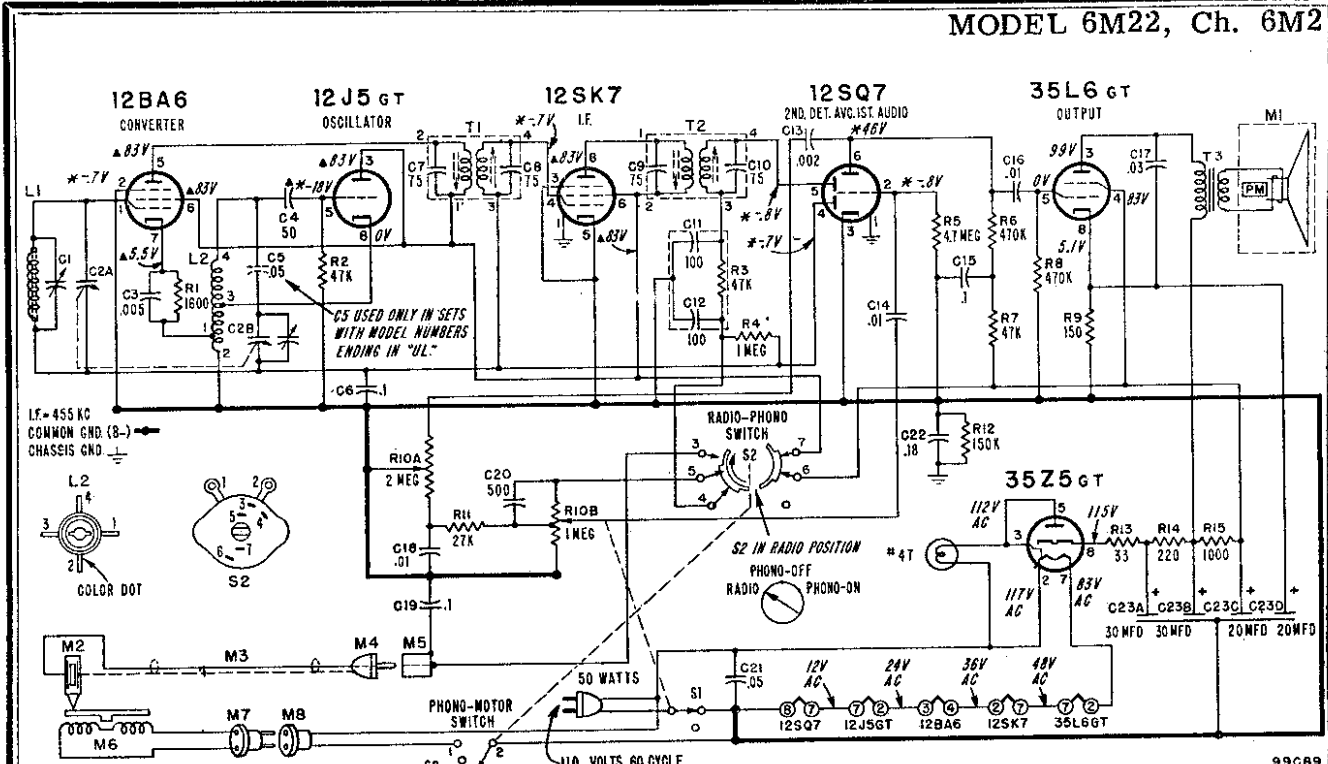
RECORD CHANGER SERVICE DATA

The changer model number will be found stamped at the top rear of the changer base and also on the changer model label.

Cartridge and Needle

As shown in the illustrations, alternate cartridges may be used. Cartridges are interchangeable when complete with needle.





*These readings will be either lower or practically zero if taken with a 1000 ohm-per-volt meter.
▲ These readings will be zero on "Phono"; all other DC readings may be slightly higher.

VOLTAGE DATA

Voltages given on schematic diagram.

- All readings made between tube socket terminals and B minus (terminal of On-Off switch).
- Switch S2 in "Radio" position.
- Measured on 117 Volt 60 Cycle AC line.
- Volume control minimum; dial turned to low end.
- Voltages measured with Vacuum Tube Voltmeter.

RESISTORS

Symbol	Description	Part No.
R1	1,600 ohms, 1/2 watt, 5%	60B 7-162
R2	47,000 ohms, 1/2 watt	60B 8-473
R3	47,000 ohms, 1/2 watt	60B 8-473
R4	1 megohm, 1/2 watt	60B 8-105
R5	4.7 megohms, 1/2 watt	60B 8-475
R6	470,000 ohms, 1/2 watt	60B 8-474
R7	47,000 ohms, 1/2 watt	60B 8-473
R8	470,000 ohms, 1/2 watt	60B 8-474
R9	150 ohms, 1 watt	60B 14-151
R10A	2 megohms, tone	75B 11-8
R10B	1 megohm, volume	75B 11-8
R11	27,000 ohms, 1/2 watt	60B 8-273
R12	150,000 ohms, 1/2 watt	60B 8-154
R13	33 ohms, 1 watt	60B 28-3
R14	220 ohms, 1 watt	60B 28-7
R15	1,000 ohms, 1 watt	60B 28-2

CONDENSERS

Symbol	Description	Part No.
C1	Trimmer, 3 to 30 mmfd.	Part of L1
C2	Antenna and Oscillator gang	Part of L1
C3	.005 mfd., min., Ceramic	65A 10-1
C4	50 mmfd., Ceramic	65B 6-4
C5	.05 mfd., 400 volts, paper	64B 1-22
C6	.1 mfd., 200 volts, paper	64B 1-30
C7	75 mmfd., 3%, Ceramic	Part of T1
C8	75 mmfd., 3%, Ceramic	Part of T1
C9	75 mmfd., 3%, Ceramic	Part of T2
C10	75 mmfd., 3%, Ceramic	Part of T2
C11	100 mmfd., Ceramic	Part of T2
C12	100 mmfd., Ceramic	Part of T2
C13	.002 mfd., 600 volts, paper	64B 1-14
C14	.01 mfd., 400 volts, paper	64B 1-25
C15	.1 mfd., 200 volts, paper	64B 1-30
C16	.01 mfd., 400 volts, paper	64B 1-25
C17	.03 mfd., 400 volts, paper	64B 1-23
C18	.01 mfd., 400 volts, paper	64B 1-25
C19	.1 mfd., 200 volts, paper	64B 1-30
C20	500 mmfd., Ceramic	65B 6-6
C21	.05 mfd., 400 volts, paper	64B 1-22
C22	.18 mfd., 200 volts, paper	64A 2-2
C23a	30 mfd., 150 volts	Elect. 67A 14-1
C23b	30 mfd., 150 volts	Elect. 67A 14-1
C23c	20 mfd., 150 volts	Elect. 67A 14-1
C23d	20 mfd., 25 volts	Elect. 67A 14-1

COILS, TRANSFORMERS, ETC.

Symbol	Description	Part No.
§L1	Rod Antenna (includes board and CI)	69A 113-1
L2	Coil, Oscillator	72B 50
T1	Transformer, 1st IF	72B 51
T2	Transformer, 2nd IF	79A 11-3
T3	Transformer, Output	78B 39-3
M1	Speaker, (5" pm)	88A 1
M5	Socket, Phono input	89A 6-3
M8	Socket & Leads, Motor	Part of R10B
S1	Switch, On-Off	77A 28-1
S2	Switch, Radio-Phono	Part of S2
†	Diode Filter	63A 3-1

MISCELLANEOUS

Description	Part No.
Carton and Fillers	44B 145
Clip, Electrolytic Mounting	18A 10-6
Speed Nut (esc. mtg.)	2B 10-35-68
Dial Cord	50A 1-3
Drum, Pointer	17A 27
Gasket, Sponge Rubber (mounts on Speaker)	12B 43
Grommet, Rubber (gang mtg.)	12A 1-2
Insulator, Phono Receptacle	32A 46
Manual	
Customer Instruction for 6J21, 6J22	41A 18-33
for 6M22	41A 18-47
Service, for RC550 Changer	S327
Pilot Light, #47	61A 1-8
Pilot Light Socket and Leads	32A 2-2
Plate, Pointer Support	15A 498
Pointer, Dial	25A 35-1
Pointer, Dial	28A 42
Shaft, Pointer	82A 15-1
Shield, Pilot Light (6J2 only)	27A 162-1
Sleeve, Pointer Shaft	27A 123
Spring, Tuning (Brass)	19B 1-5
Spacer, "T" (gang condenser mtg.)	29A 2-1-71
Spring, Dial Cord Tension	87A 33-2
Socket, Tube (12BA6)	4A 4-6
Washer, "C" (for pointer drum)	4A 6-10-0
Washer, Spring	4A 6-10-0

CABINET PARTS

Description	Part No.
Cabinet, Plastic	
Bottom, less lid (Ebony 6J21)	34D 28-3
Bottom, less lid (Mahogany 6J22, 6M22)	34D 28-5
Lid only (Ebony 6J21)	34D 28-4
Lid only (Mahogany 6J22, 6M22)	34D 28-6

Description	Part No.
Clamp, Cable	11A 2-2
Escutcheon, Dial for 6J21, 6J22	23C 81-1
for 6M22	23C 51-1
Escutcheon Ring (Gold trim)	23A 53
Hinge	37A 8-1
Hinge Screw (6/32x1/4 BH MS)	36S-250-C2-58
Hinge Stud	27A 17-1
Jewel, Pilot Light	82A 14-2
Knob, Radio, for Ebony 6J21	
"Off-On Volume" (inner knob)	33C 55-22
"Tone" (outer knob)	33C 55-21
"Radio-Phono" (inner knob)	33C 55-20
"Tuning" (outer knob)	33C 55-19
Knob, Radio, for Mahogany 6J22	
"Off-On Volume" (inner knob)	33C 55-18
"Tone" (outer knob)	33C 55-17
"Radio-Phono" (inner knob)	33C 55-16
"Tuning" (outer knob)	33C 55-15
Knob, Radio, for Mahogany 6M22	
"Off-On Volume" (inner knob)	33C 55-10
"Tone" (outer knob)	33C 55-9
"Radio-Phono" (inner knob)	33C 55-8
"Tuning" (outer knob)	33C 55-7
Rubber Bumper for cabinet bottom	12A 3-4
for cabinet top	12A 9-8
Stay Arm and Plate	37A 9-1
Washer, Felt (for tuning knobs)	5A 4-9

PHONOGRAPH PARTS

Symbol	Description	Part No.
M2	Cartridge Pickup (includes needle)	409A 13
M3	Cable, Shielded Pickup (includes plug)	413A 11-1
M4	Plug, Pickup Cable	88A 2-3
M6	Motor, Phono (3 speed)	407B 19
M7	Plug, Motor (Male)	88A 8-1
Adapter, 45 RPM (envelope of 12)	48A 8-1	
Button, Snap-in Plug	13A 2-8-57	
Centerpost, Record	G400B 505-1	
Idle Wheel (includes tire)	G400A 279	
Needle, Pickup for 409A13 cartridge	98A 15-19	
for 409A13-1 cartridge	98A 15-18	
Needle Retaining Nut (for 409A13 cartridge)	98A 54-2	
Service Manual, RC550 Changer	S327	
Screw and Washer, Changer Mounting (10-32x1/4 RH MS)	AA210	
Spring, Changer Float	19A 10-3	

† Part of Diode Filter 63A3-1. This unit consisting of C11, C12 and R3 may be replaced with individual components.
§ 6M22 chassis use part number 68B30-1 gang (antenna 324 mmfd. max., oscillator 108 mmfd. max.) with part number 69B144