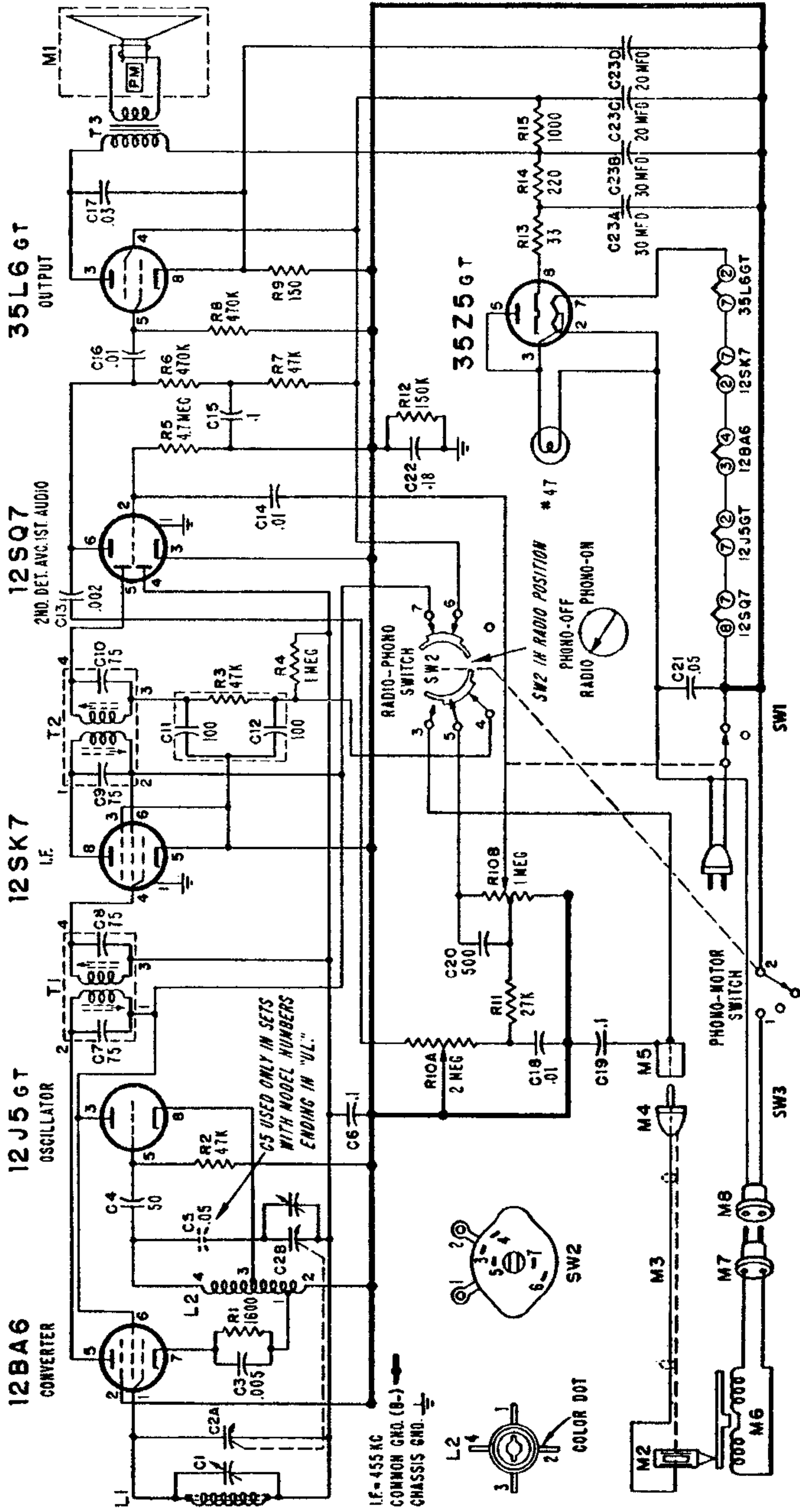
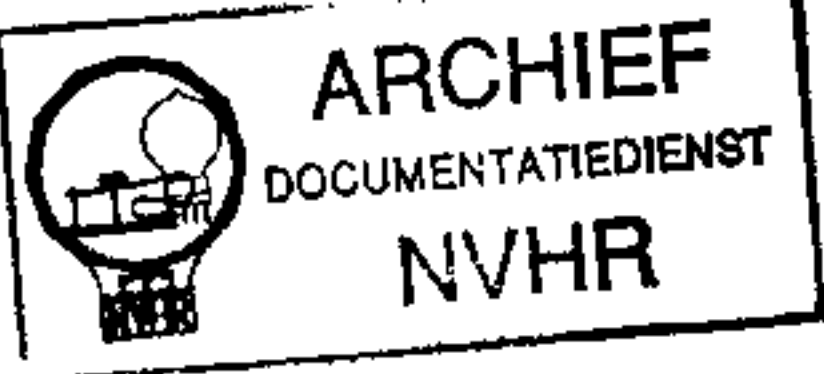


# MANUAL OF 1950 MOST-OFTEN-NEEDED RADIO DIAGRAMS

## Admiral

### CHASSIS 6S1 MODELS 6S11, 6S12



# MANUAL OF 1950 MOST-OFTEN-NEEDED RADIO DIAGRAMS

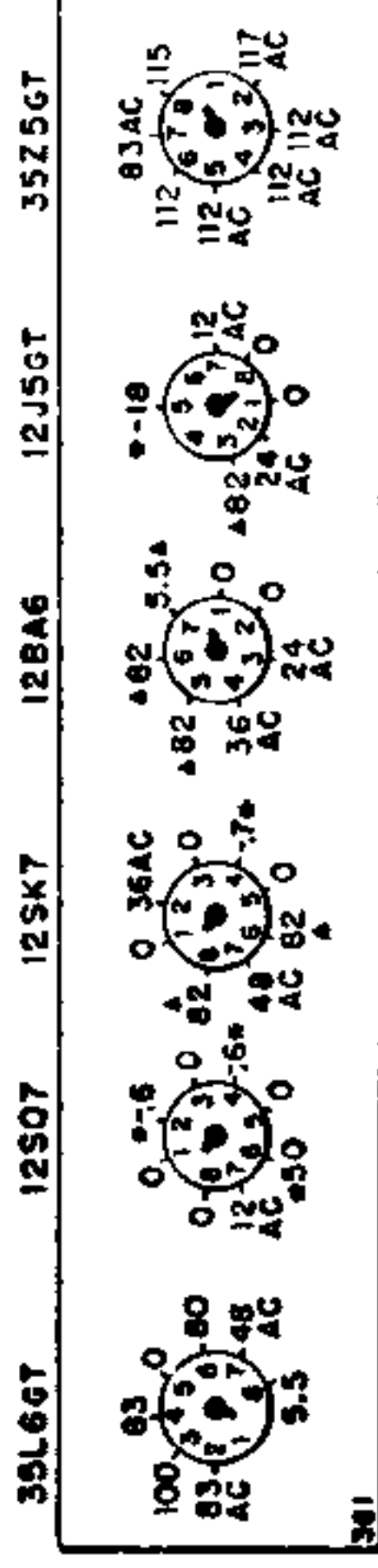
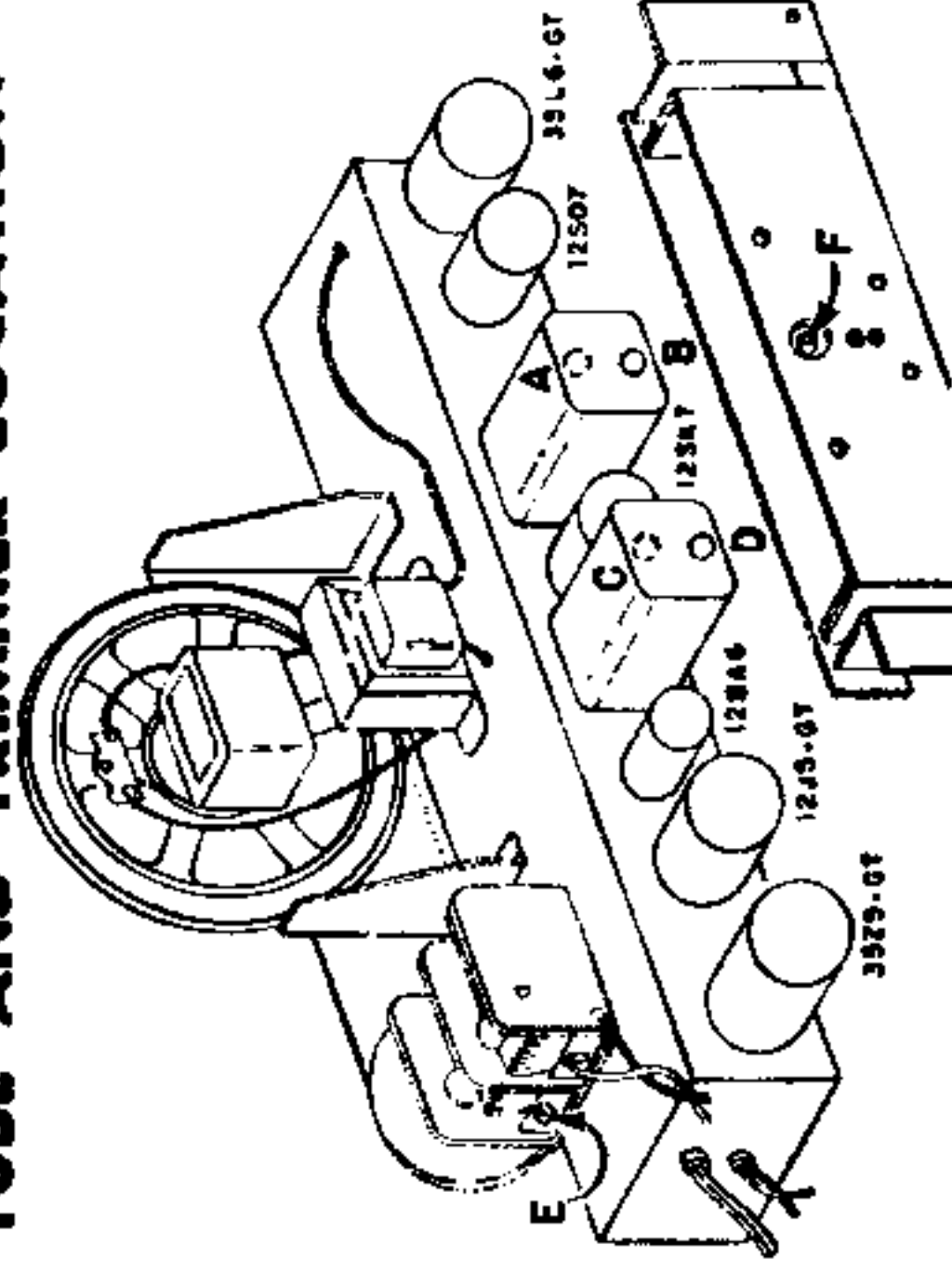
## Admiral MODELS 6S11, 6S12

### CHASSIS 6S1

#### VOLTAGE DATA

#### TUBE AND TRIMMER LOCATION

- All readings made between tube socket terminals and B minus (terminal of On-Off switch).
- Range Switch in "Radio" position.
- Measured on 117 Volt AC line.
- Volume control minimum; dial turned to low end.
- Voltages measured with Vacuum Tube Voltmeter.



INSIDE BOTTOM VIEW

\* If taken with a 1000 ohm-per-volt meter, readings will be either lower or practically zero.  
 † On "Phone", these voltages will be zero. All other DC readings may be slightly higher.

Step	Dummy Antenna in Series with Signal Generator	Connection of Signal Generator (High Side)	Signal Generator Frequency	Receiver Gang Setting	Trimmer Description	Trimmer Designation	Type of Adjustment
1	250 mmfd. condenser	Tuning condenser, antenna stator	455 KC	Gang fully open	2nd IF 1st IF	* A, B * C, D	Maximum output
2	250 mmfd. condenser	Tuning condenser, antenna stator	1620 KC	Gang fully open	Oscillator	E	Maximum output
3	Loop of several turns of wire, or place generator lead close to receiver antenna for adequate signal.	No actual connection (signal by radiation)	1400 KC	Tune in generator signal	Antenna	† F	Maximum output

Mount dial pointer. Set pointer to horizontal position with tuning condenser tuned to 1400 KC generator signal (see illustration below). Rotate the tuning condenser until the pointer is in a vertical position (900 KC), then slip chassis in cabinet, carefully guiding the pointer so that it locates between the dial escutcheon and the cabinet. Install antenna and chassis mounting bolts. The pointer and escutcheon may be mounted after installing the chassis in cabinet as follows: Set pointer to horizontal position with gang tuned to 1400 KC signal. Place escutcheon on cabinet. With long nose pliers slip the hairpin ends of the escutcheon mounting springs in holes of escutcheon tabs.

\* Adjustments A and C made from the underside of the chassis. If IF transformers have hollow core slugs, these adjustments may all be made from the top of chassis, if you use alignment tool #98A30.7 obtainable from your Admiral distributor. The bottom IF slug adjustment may be reached through the hollow core in the upper slug.

† Antenna Trimmer "F" should be aligned after chassis and antenna are mounted in cabinet.