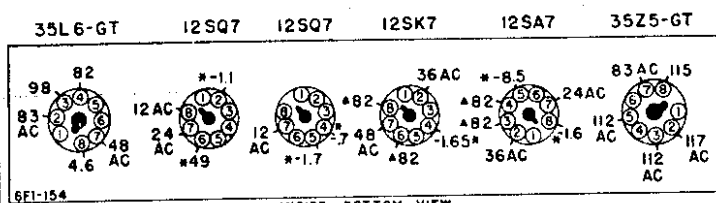
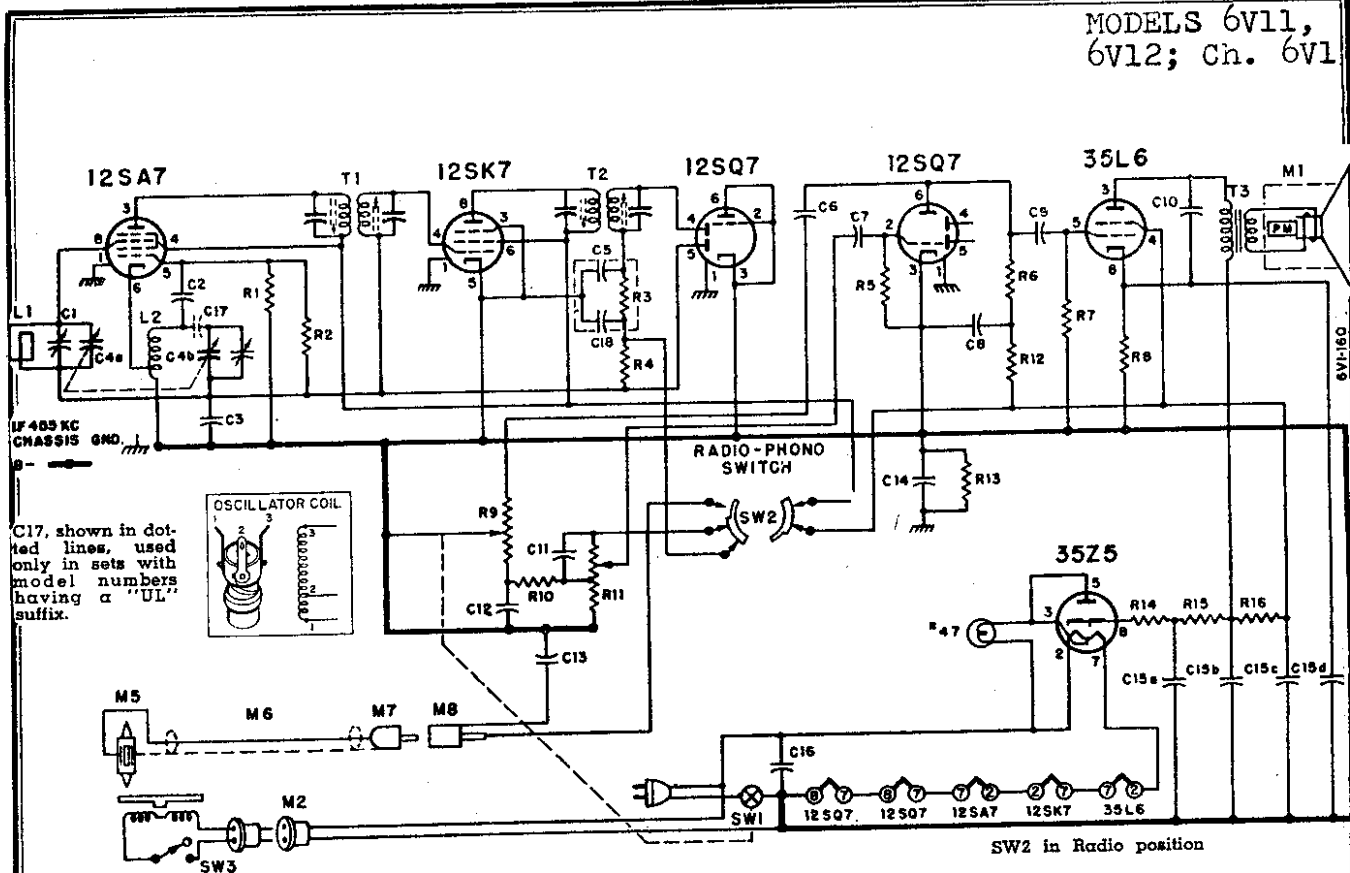


MODELS 6V11,  
6V12; ch. 6V1

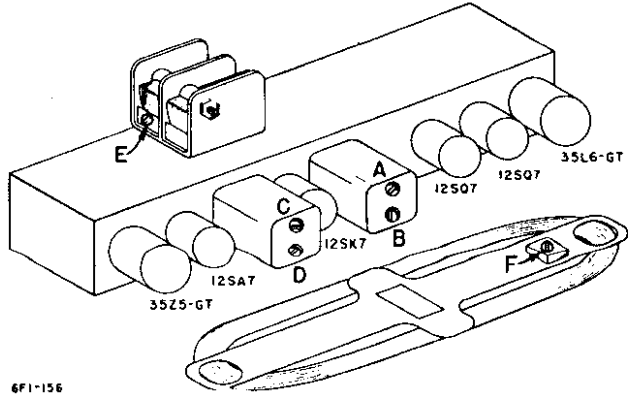


\* If taken with a 1000 ohm-per-volt meter, readings will be either lower or practically zero.  
 ▲ On "Phono" these voltages will be zero. All other DC readings may be slightly higher.

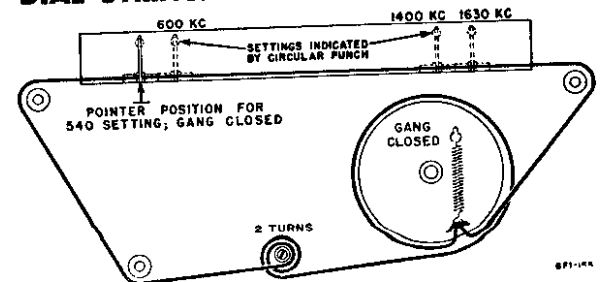
**VOLTAGE DATA**

- All readings made between tube socket terminals and B minus (terminal of On-Off switch).
- Switch in "Radio" position.
- Measured on 117 Volt AC line.
- Volume control minimum; dial turned to low frequency end.
- Voltages measured with Vacuum Tube Voltmeter. Readings taken with a 1000 ohm-per-volt meter will be approximately the same except for those marked with an asterisk \* in the voltage chart; these readings will either be lower or practically zero.

**TUBE AND TRIMMER LOCATION**



**DIAL STRINGING AND POINTER SETTING**



With the gang fully closed, the tip of the pointer clip should be in line with the 1/16" circular punch at the extreme left end of the dial background.

MODELS 6V11,  
6V12; Ch. 6V1

### ALIGNMENT PROCEDURE

- Check pointer position. With tuning gang closed, the tip of the pointer clip should be over the 1/16" circular punch at the extreme left end of the dial background (see stringing diagram).
- Connect output meter across voice coil.
- Turn receiver volume control full on; set tone control fully clockwise.
- Loop antenna must be connected and placed in the same relative position to the chassis as when in cabinet.
- Use an isolation transformer if available, otherwise connect a .1 mfd. condenser in series with low side of signal generator and attach to B minus of chassis.
- Use lowest output setting of signal generator capable of producing adequate output meter indication and proceed in the following sequence.
- Repeat adjustments to insure good results.

Step	Dummy Antenna in Series with Signal Generator	Connection of Signal Generator (High Side)	Signal Generator Frequency	Receiver Gang Setting	Trimmer Description	Trimmer Designation	Type of Adjustment
1	250 mmfd. condenser	Tuning condenser, antenna stator	455 KC	Gang fully open	2nd IF 1st IF	A, B* C, D*	Maximum output
2	250 mmfd. condenser	Tuning condenser, antenna stator	1620 KC	Gang fully open	Oscillator	E	Maximum output
3	Loop of several turns of wire, or place generator lead close to receiver loop for adequate signal.	No physical connection (signal by radiation)	1400 KC	Tune in generator signal	Antenna	F (see note below)	Maximum output

\* Trimmer adjustments B and D made from the underside of the chassis.

NOTE: Antenna Trimmer "F" must be aligned after chassis and loop are mounted in cabinet. Loop trimmer adjustment is located at the rear of the cabinet.

#### RESISTORS

Symbol	Description	Part No.
R1	22,000 Ohms, 1/2 Watt	60B 8-223
R2	10 Megohms, 1/2 Watt	60B 8-106
R3	47,000 Ohms, 1/4 Watt	60B 8-105
R4	1 Megohm, 1/2 Watt	60B 8-105
R5	4.7 Megohms, 1/2 Watt	60B 8-475
R6	470,000 Ohms, 1/2 Watt	60B 8-474
R7	470,000 Ohms, 1/2 Watt	60B 8-474
R8	150 Ohms, 1 Watt	60B 14-151
R9	2 Megohms Tone Control and On-Off Switch SW1	75B 1-12
R10	27,000 Ohms, 1/2 Watt	60B 8-273
R11	1 Megohm Volume Control	75B 2-6
R12	47,000 Ohms, 1/2 Watt	60B 8-473
R13	150,000 Ohms, 1/2 Watt	60B 8-154
R14	33 Ohms, 1 Watt	60B 28-3
R15	220 Ohms, 1 Watt	60B 28-7
R16	1,000 Ohms, 1 Watt	60B 23-2

#### CONDENSERS

Symbol	Description	Part No.
C1	Trimmer, 3 to 30 mmfd.	Part of L1
C2	50 mmfd., Ceramic	65B 6-4
C3	.1 mmfd., 200 Volts, Paper	64B 1-30
C4a	Gang-0 to 420 mmfd.	68B 20-1
C4b	Gang-0 to 108 mmfd.	
Note—Gang spot welded to dial drum.		
†C5	100 mmfd., Ceramic	
C6	.002 mfd., 600 Volts, Paper	64B 1-14
C7	.01 mfd., 400 Volts, Paper	64B 1-25
C8	.1 mfd., 200 Volts, Paper	64B 1-30
C9	.01 mfd., 400 Volts, Paper	64B 1-25
C10	.03 mfd., 400 Volts, Paper	64B 1-23
C11	500 mmfd., Ceramic	65B 6-6
C12	.01 mfd., 400 Volts, Paper	64B 1-25
C13	.1 mfd., 200 Volts, Paper	64B 1-30
C14	.18 mfd., 200 Volts, Paper	64A 2-2

Symbol	Description	Part No.
C15a	30 mfd., 150 Volts	Elect. 67A 14-1
C15b	30 mfd., 150 Volts	
C15c	20 mfd., 150 Volts	
C15d	20 mfd., 25 Volts	
C16	.05 mfd., 400 Volts, Paper	
C17	.02 mfd., 400 Volts, Paper	64B 1-24
(Used only in sets with model numbers having a "UL" suffix.)		
†C18	100 mmfd., ceramic	

#### COILS, TRANSFORMERS, ETC.

Symbol	Description	Part No.
L1	Antenna and Trimmer, Loop	69B 13
L2	Coil, Oscillator	69A 52
T1	Transformer, 1st IF	72B 50
T2	Transformer, 2nd IF	72B 51
T3	Transformer, Output	79A 11-2
M1	Speaker (5") without output Trans.	78B 39-1
M2	Socket & Leads, Phono Motor	89A 6-3
M8	Socket, Phono Input	88A 1
SW1	Switch, On-Off	Part of R9
SW2	Switch, Radio-Phono	77A 16-4
	Diode Filter	63A 3-1

#### CABINET PARTS

Description	Part No.
Bracket, Dial Scale Mtg.	15A 169
Cabinet, Plastic	
Bottom Less Lid (Mahog. 6V12)	34D 11-12
Lid only (Mahogany 6V12)	34D 11-13
Bottom Less Lid (Ebony 6V11)	34D 11-14
Lid only (Ebony 6V11)	34D 11-15
Dial Scale, Glass	21B 35-2
Escutcheon Overlay	23C 23-1
Grille Cloth and Baffle	A1688
Hinge	37A8-1
Hinge Stud	27A17-1

Knobs, Radio	Part No.
"Volume" and "Tone" (Mahog.)	33A 21-7
"Volume" and "Tone" (Ebony)	33A 21-8
"Tuning" (Mahog.)	33B 34-6
"Tuning" (Ebony)	33B 34-8
"Radio-Phono" (Mahog.)	33B 34-5
"Radio-Phono" (Ebony)	33B 34-7
Rubber Strip, Dial Scale Mtg. (5/2")	12A 9-3
Rubber Bumper (for Cabinet lid)	12A3-2
Stay Arm, Lid	37A9-1

#### MISCELLANEOUS

Background, Dial	22B 9-1
Bracket, Tuning Sleeve	15A 289
Bracket, Dial Light	15A 156
Cartons and Fillers	44B 112
Dial Cord	50A1-3
Pilot Light No. 47	81A 1-8
Pilot Light Socket and Leads	82A 2-4
Pointer, Dial	25A 21
Sleeve, Tuning (Brass)	27A 61
Spring, Dial Drum Tension	19B 1-3
Washer, Felt ("Volume" and "Tone")	5A 4-8
Washer, Felt ("Tuning" Knob)	5A 4-9

#### PHONOGRAPH PARTS

NOTE: Check Record Changer model number and see proper service manual for complete parts list.

M5 Cartridge (includes needles)	408A 11
Needle, Phonograph	
Long Play	98A 15-6
Standard 78 RPM	98A 15-7
M6 Shielded Cable & Plug, Pickup	413A 11-1
M7 Plug, Pickup Shielded Cable	88A 2-3
SW3 Switch, Phono Motor On-Off	408A 1
(See caution in changer manual)	
Centerpost, for 10" and 12" records	G400B 311
Centerpost, for 7" records	G400B 310

† Part of encased Diode Filter Unit 63A3-1. This unit consists of R3, C5, C18 (see schematic). If a section of the unit becomes defective, it may be replaced with an individual component.