

Admiral

Model: 7C62

Chassis:

Year: Pre 1948

Power:

Circuit:

IF:

Tubes:

Bands:

Resources

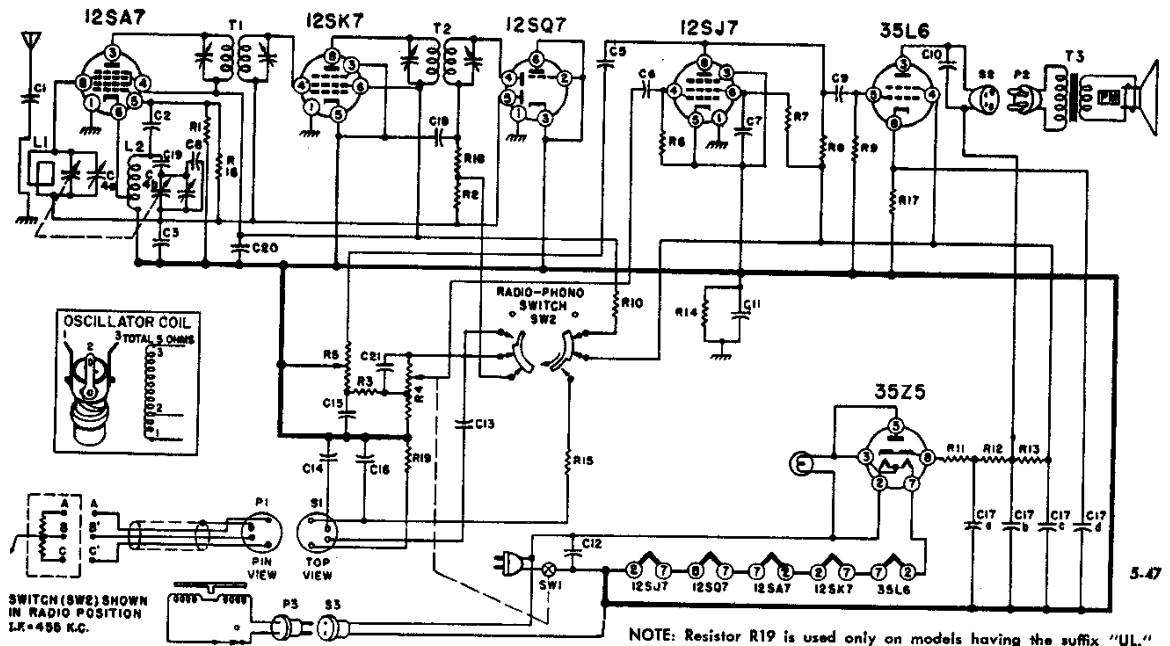
[Riders Volume 16 - ADMIRAL 16-1](#)

[Riders Volume 16 - ADMIRAL 16-2](#)

[Riders Volume 16 - ADMIRAL 16-11](#)

ADMIRAL CORPORATION

MODEL 7C62, Chassis 6M1
 MODELS 7RT41, 7RT42, 7RT43



MODELS 7RT41, 7RT42, 7RT43

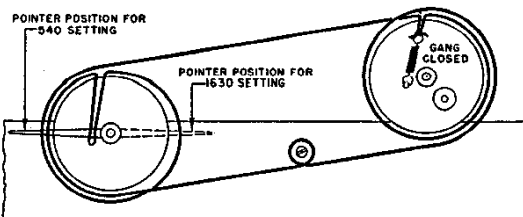
MODEL 7C62

ALIGNMENT PROCEDURE

1. Connect Output Meter across Voice Coil.
 2. Turn Receiver Volume Control—full on.
 3. Use lowest Output setting of Signal Generator
 4. Repeat adjustments to insure good results.
- capable of producing adequate Output Meter indication and then proceed in the following sequence.

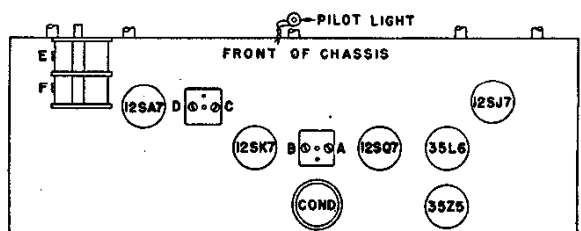
Connect Signal Generator to—	Dummy Antenna Between Radio and Generator	Set Generator Frequency to—	Set Receiver Dial Frequency to—	Adjust Following Trimmers	Type of Adjustment
Tuning Condenser Antenna Stator	250 mmfd. Condenser	455 K.C.	High frequency end of Dial	A-B—2nd I. F. C-D—1st I. F.	Adjust to maximum Output
Tuning Condenser Antenna Stator	250 mmfd. Condenser	1630 K.C.	High frequency end of Dial	E—Osc.	Adjust to maximum Output
Loop radiator (or place lead from generator close to loop of set to obtain adequate signal)	No actual connection between set and generator.	1400 K.C.	Tune in generator signal	F—Ant.	Adjust to maximum Output

DIAL CORD STRINGING & POINTER SETTING



TOP VIEW

TUBE & TRIMMER LOCATION



MODEL 7C62
MODELS 7RT41, 7RT42,
7RT43

ADMIRAL CORPORATION

MODEL 7RT41, 7RT42, 7RT43

REPLACEMENT PARTS

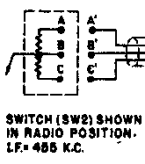
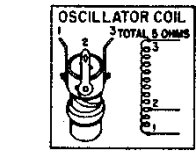
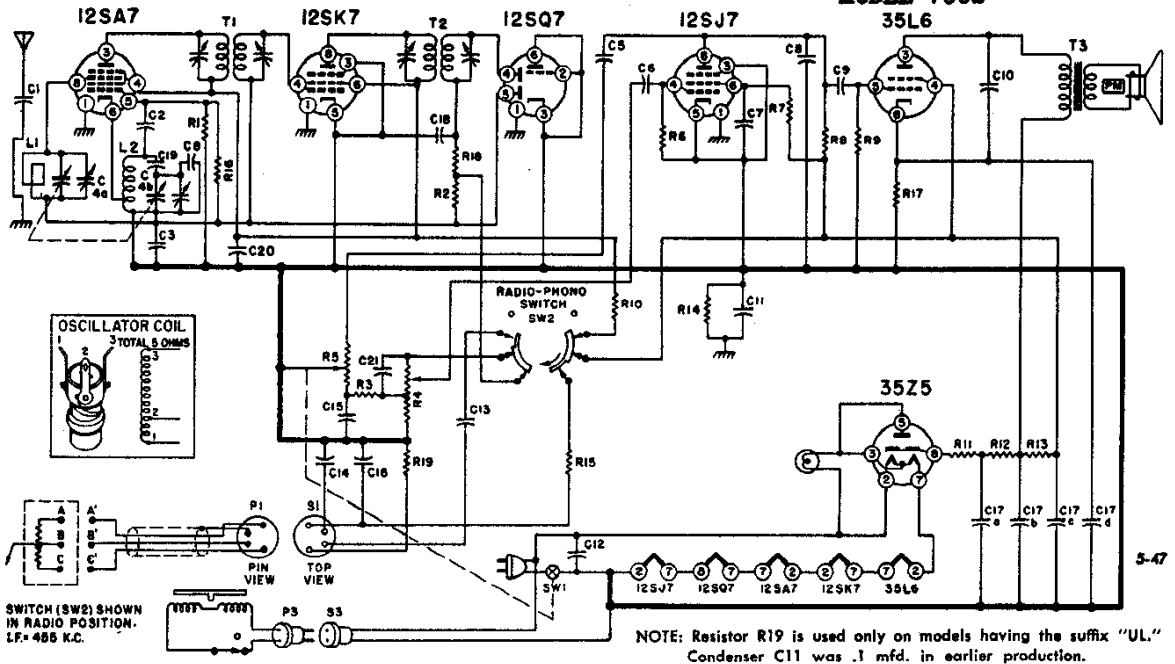
RESISTORS			CONDENSERS			CABINET PARTS		
Symbol	Description	Part No.	Symbol	Description	Part No.	Description	Part No.	
R1.....	22,000 Ohms, 1/2 Watt.....	60B 8-223	C11.....	.18 mfd., 200 Volts, Paper.....	64A 2-2	Cabinet Body Less Lid (7RT41).....	34D 11-11	
R2.....	1 Megohm, 1/2 Watt.....	60B 8-105	C12.....	.05 mfd., 400 Volts, Paper.....	64B 1-22	Cabinet Lid (7RT41).....	34D 11-10	
R3.....	27,000 Ohms, 1/2 Watt.....	60B 8-273	C13.....	.001 mfd., 600 Volts, Paper.....	64B 1-15	*Cabinet, Wood (7RT42).....	35D 47	
R4.....	1 Megohm Volume Control (Tapped at 500,000 ohms).....	75B 2-6	C14.....	.05 mfd., 400 Volts, Paper.....	64B 1-25	*Cabinet, Wood, Walnut (7RT43).....	35D 48-1	
R5.....	2 Megohm Tone Control and Switch SW1.....	75B 1-12	C15.....	.01 mfd., 400 Volts, Paper.....	64B 1-24	*Cabinet, Wood, Mahogany (7RT43).....	35D 48-2	
R6.....	4.7 Megohms, 1/2 Watt.....	60B 8-475	C16.....	.1 mfd., 200 Volts, Paper.....	64B 1-30	Clip, Dial Glass Mounting (7RT43).....	18A 12	
R7.....	1.8 Megohms, 1/2 Watt.....	60B 8-185	C17a.....	30 mfd., 150 Volts } Elect.....	67A 1-41	Dial Scale, Glass (7RT41-7RT42).....	21B 35-1	
R8.....	100,000 Ohms, 1/2 Watt.....	60B 8-104	C17b.....	30 mfd., 150 Volts }		Dial Scale, Glass (7RT43).....	21B 33-1	
R9.....	470,000 Ohms, 1/2 Watt.....	60B 8-474	C17c.....	20 mfd., 150 Volts }		Escutcheon, Overlay (7RT41-7RT42).....	23C 23-1	
R10.....	100 Ohms, 1/2 Watt.....	60B 8-101	C17d.....	20 mfd., 25 Volts }		Grille, Inside.....	16C 1	
R11.....	33 Ohms, 1 Watt.....	60B 28-3	C18.....	250 mmfd. ±20%, Ceramic.....	65B 6-5	PHONOGRAPH PARTS		
R12.....	220 Ohms, 1 Watt.....	60B 28-7	C19.....	.02 mfd., 200 Volts, Paper.....	64B 1-24	Note: See record changer manual for complete parts list.		
R13.....	1,000 Ohms, 1 Watt.....	60B 28-2	C20.....	.05 mfd., 400 Volts, Paper.....	64B 1-22	Cartridge and Needle, Pickup.....		
R14.....	150,000 Ohms, 1/2 Watt.....	60B 8-154	C21.....	500 mmfd. ±20%, Ceramic.....	65B 6-6	A 1372		
R15.....	22,000 Ohms, 1/2 Watt.....	60B 8-223	COILS, TRANSFORMERS, ETC.			Centerpost.....		
R16.....	10 Megohms, 1/2 Watt.....	60B 8-106	L1.....	Antenna, Loop.....	69B 13	G400B137-1		
R17.....	150 Ohms, 1 Watt.....	60B 14-151	L2.....	Coil, Oscillator.....	69A 14	Drive Disc Assembly.....		
R18.....	100,000 Ohms, 1/2 Watt.....	60B 8-104	T1.....	Transformer, 1st I.F.....	72B 3	G 400A 179		
R19.....	33,000 Ohms, 1/2 Watt.....	60B 8-333	T2.....	Transformer, 2nd I.F.....	72B 4	G 400A 23		
CONDENSERS			T3.....	Transformer, Output.....	98A 17	G 400A 57		
C1.....	.005 mfd., 600 Volts, Paper.....	64B 1-12	Speaker (5") & Output Trans- former.....				407B 3-2	
C2.....	50 mmfd. ±20%, Ceramic.....	65B 6-4	78B 19-1				A 1322	
C3.....	.1 mfd., 200 Volts, Paper.....	64B 1-30	SWITCHES, PLUGS & SOCKETS			MISCELLANEOUS		
C4a.....	Gang, 0 to 420 mmfd. }.....	68B 5	P1.....	Plug, Pickup.....	88A 8-5	Background, Dial.....		
C4b.....	Gang, 0 to 162 mmfd. }.....	68B 5	P2.....	Plug, Motor.....	88A 8-1	22B 9-1		
C5.....	.002 mfd., 600 Volts, Paper.....	64B 1-14	S1.....	Socket, Phono.....	88A 8-6	Bracket, Tuning Shaft.....		
C6.....	.01 mfd., 400 Volts, Paper.....	64B 1-25	S3.....	Phono-Motor Socket & Leads (Female connector).....	89A 6-3	15A 152		
C7.....	.05 mfd., 400 Volts, Paper.....	64B 1-22	SW1.....				15B 151	
C8.....	15 mmfd. ±20%, Ceramic.....	65B 6-18	Part of Tone Control R5				Card, Dial (48").....	
C9.....	.01 mfd., 400 Volts, Paper.....	64B 1-25	SW2.....				50A 1-3	
C10.....	.03 mfd., 400 Volts, Paper.....	64B 1-23	Switch, Radio-Phono.....				17A 14	

MODEL 7C62

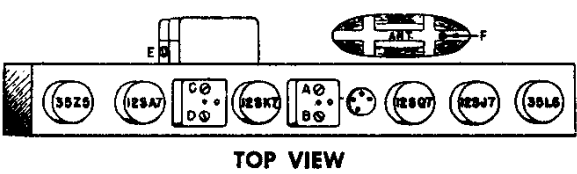
REPLACEMENT PARTS

RESISTORS			CONDENSERS			CABINET PARTS		
Symbol	Description	Part No.	Symbol	Description	Part No.	Description	Part No.	
R1.....	22,000 Ohms, 1/2 Watt.....	60B 8-223	C9.....	.01 mfd., 400 Volts, Paper.....	64B 1-25	Screw, Chassis Mounting.....	1A 67-17-2	
R2.....	1 Megohm, 1/2 Watt.....	60B 8-105	C10.....	.03 mfd., 400 Volts, Paper.....	64B 1-23	Tie Bar, Tilt Out.....	15B 126	
R3.....	27,000 Ohm, 1/2 Watt.....	60B 8-273	C11.....	.1 mfd., 400 Volts, Paper.....	64B 1-20	Springs, Tilt Out.....	19A 15-1	
R4.....	1 Megohm Volume Control and Switch SW1 (Tapped at 500,000 ohms).....	75B 2-2	C12.....	.05 mfd., 400 Volts, Paper.....	64B 1-22	Escutcheon, Plastic.....	23C 22-2	
R5.....	2 Megohms, Tone Control.....	75B 1-8	C13.....	.001 mfd., 600 Volts, Paper.....	64B 1-15	Dial Window, Plastic.....	24B 1	
R6.....	4.7 Megohms, 1/2 Watt.....	60B 8-475	C14.....	.05 mfd., 400 Volts, Paper.....	64B 1-22	*Cabinet, Wood (7C62).....	35E 52	
R7.....	1.8 Megohms, 1/2 Watt.....	60B 8-185	C15.....	.02 mfd., 400 Volts, Paper.....	64B 1-24	Hinge Assembly, Record Support Side.....	AC 118-1	
R8.....	100,000 Ohms, 1/2 Watt.....	60B 8-104	C16.....	.1 mfd., 200 Volts, Paper.....	64B 1-30	Hinge Assembly, Pickup Arm Side.....	AC 118-2	
R9.....	470,000 Ohms, 1/2 Watt.....	60B 8-474	C17a.....	30 mfd., 150 Volts } Elect.....	67C 7-46	PHONOGRAPH PARTS		
R10.....	100 Ohms, 1/2 Watt.....	60B 8-101	C17b.....	30 mfd., 150 Volts }		Note: See record changer manual for complete parts list.		
R11.....	33 Ohms, 1 Watt.....	60B 28-3	C17c.....	20 mfd., 150 Volts }		Cartridge and Needle, Pickup.....		
R12.....	220 Ohms, 1 Watt.....	60B 28-7	C17d.....	20 mfd., 25 Volts }		A 1372		
R13.....	1,000 Ohms, 1 Watt.....	60B 28-2	C18.....	250 mmfd. ±20%, Ceramic.....	65B 6-5	Centerpost.....		
R14.....	150,000 Ohms, 1/2 Watt.....	60B 8-154	C19.....	.02 mfd., 200 Volts, Paper.....	64B 1-24	G400B137-1		
R15.....	22,000 Ohms, 1/2 Watt.....	60B 8-223	C20.....	.05 mfd., 400 Volts, Paper.....	64B 1-22	Drive Disc Assembly.....		
R16.....	10 Megohms, 1/2 Watt.....	60B 8-106	C21.....	500 mmfd. ±20%, Ceramic.....	65B 6-6	G 400A 179		
R17.....	150 Ohms, 1 Watt.....	60B 14-151	COILS, TRANSFORMERS, ETC.			G 400A 23		
R18.....	100,000 Ohms, 1/2 Watt.....	60B 8-104	L1.....	Antenna, Loop.....	69B 16	G 400A 57		
R19.....	33,000 Ohms, 1/2 Watt.....	60B 8-333	L2.....	Coil, Oscillator.....	69A 14	Motor, 60 Cycle 115 Volt, A. C.....		
CONDENSERS			T1.....	Transformer, 1st I.F.....	72B 3	407B 3-2		
C1.....	.005 mfd., 600 Volts, Paper.....	64B 1-12	T2.....	Transformer, 2nd I.F.....	72B 4	A 1304		
C2.....	50 mmfd. ±20%, Ceramic.....	65B 6-4	T3.....	Transformer, Output.....	98A 18	MISCELLANEOUS		
C3.....	.1 mfd., 200 Volts, Paper.....	64B 1-30	Speaker (8" PM) & Output Transformer.....				78C 20-1	
C4a.....	Gang, 0 to 420 mmfd. }.....	68B 5	SWITCHES, PLUGS & SOCKETS			Compression Ring (For pointer).....		
C4b.....	Gang, 0 to 162 mmfd. }.....	68B 5	P1.....	Plug, Pickup.....	88A 8-5	18A 5-2		
C5.....	.002 mfd., 600 Volts, Paper.....	64B 1-14	P2.....	Plug, Speaker.....	88A 4	50A 1-3		
C6.....	.002 mfd., 600 Volts, Paper.....	64B 1-14	P3.....	Plug, Motor.....	88A 8-1	12A 1-2		
C7.....	.05 mfd., 400 Volts, Paper.....	64B 1-22	S1.....	Socket, Phono.....	88A 8-6	Grommet, Rubber (For gang cond.).....		
C8.....	15 mmfd. ±20%, Ceramic (Used on Model 7C62-N).....	65B 6-18	S2.....	Socket, Speaker.....	87A 6-1	25B 22		
C8.....	20 mmfd., Mica (Used on Model 7C62-UL).....	65B 7-5	S3.....	Phono-Motor Socket & Leads (Female connector).....	89A 6-6	33A 19-2		
			SW1.....				81A 1-8	
			Part of Volume Control R4				82A 3-3	
			SW2.....				21B 30-2	
			Switch, Radio-Phono.....				28A 16	
							28A 10-1	
							19B 1-5	
							19A 18	
							* Supplied only if old cabinet cannot be repaired.	
							When ordering, describe condition of old cabinet in detail.	

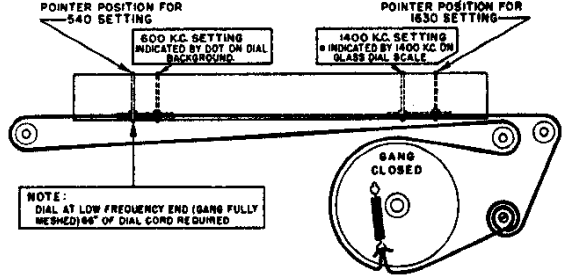
ADMIRAL CORPORATION **MODELS 7RT41, 7RT42, 7RT43**
Chassis 6L1
MODEL 7C62



TUBE & TRIMMER LOCATION



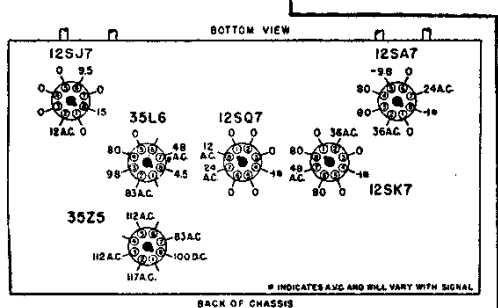
DIAL CORD STRINGING & POINTER SETTING



VOLTAGE DATA

- All readings made between Tube Socket Terminals and B minus.
- Measured on a 117 Volt A.C. line.
- Volume control full on.
- Dial tuned to low frequency end, no signal.
- Voltage obtained on Vacuum Tube Volt-meter.

MODEL 7C62



MODEL 7RT41, 7RT42, 7RT43

VOLTAGE CHART

