

Admiral

Model: 7C62

Chassis:

Year: Pre 1948

Power:

Circuit:

IF:

Tubes:

Bands:

Resources

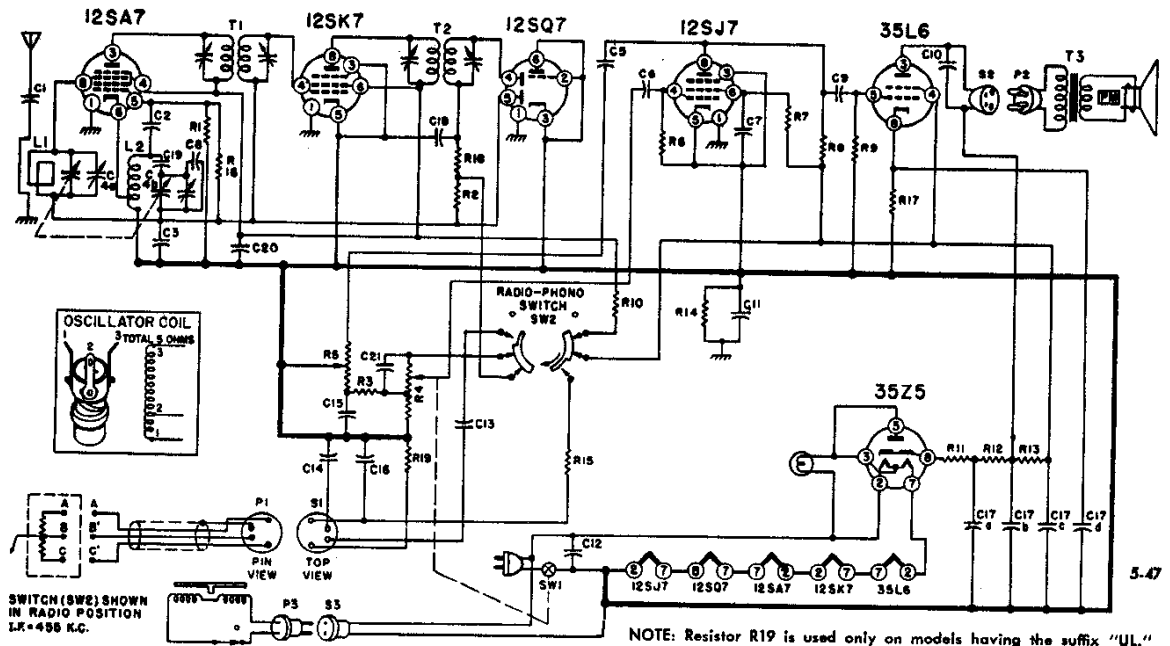
[Riders Volume 16 - ADMIRAL 16-1](#)

[Riders Volume 16 - ADMIRAL 16-2](#)

[Riders Volume 16 - ADMIRAL 16-11](#)

ADMIRAL CORPORATION

MODEL 7C62, Chassis 6M1
 MODELS 7RT41, 7RT42, 7RT43



MODELS 7RT41, 7RT42, 7RT43

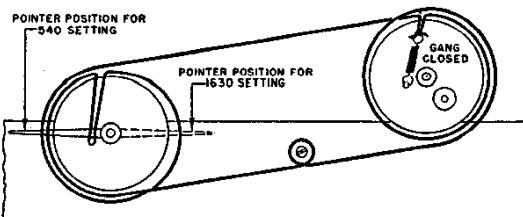
MODEL 7C62

ALIGNMENT PROCEDURE

1. Connect Output Meter across Voice Coil.
 2. Turn Receiver Volume Control—full on.
 3. Use lowest Output setting of Signal Generator
 4. Repeat adjustments to insure good results.
- capable of producing adequate Output Meter indication and then proceed in the following sequence.

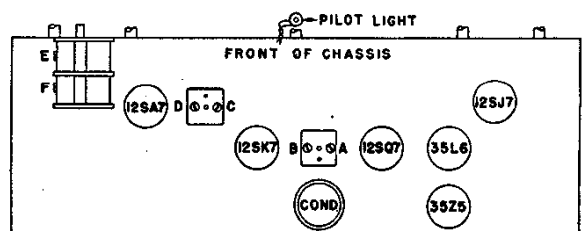
Connect Signal Generator to—	Dummy Antenna Between Radio and Generator	Set Generator Frequency to—	Set Receiver Dial Frequency to—	Adjust Following Trimmers	Type of Adjustment
Tuning Condenser Antenna Stator	250 mmfd. Condenser	455 K.C.	High frequency end of Dial	A-B—2nd I. F. C-D—1st I. F.	Adjust to maximum Output
Tuning Condenser Antenna Stator	250 mmfd. Condenser	1630 K.C.	High frequency end of Dial	E—Osc.	Adjust to maximum Output
Loop radiator (or place lead from generator close to loop of set to obtain adequate signal)	No actual connection between set and generator.	1400 K.C.	Tune in generator signal	F—Ant.	Adjust to maximum Output

DIAL CORD STRINGING & POINTER SETTING



TOP VIEW

TUBE & TRIMMER LOCATION



MODEL 7C62
MODELS 7RT41, 7RT42,
7RT43

ADMIRAL CORPORATION

MODEL 7RT41, 7RT42, 7RT43

REPLACEMENT PARTS

RESISTORS		
Symbol	Description	Part No.
R1.....	22,000 Ohms, 1/2 Watt.....	60B 8-223
R2.....	1 Megohm, 1/2 Watt.....	60B 8-105
R3.....	27,000 Ohms, 1/2 Watt.....	60B 8-273
R4.....	1 Megohm Volume Control (Tapped at 500,000 ohms).....	75B 2-6
R5.....	2 Megohm Tone Control and Switch SW1.....	75B 1-12
R6.....	4.7 Megohms, 1/2 Watt.....	60B 8-475
R7.....	1.8 Megohms, 1/2 Watt.....	60B 8-185
R8.....	100,000 Ohms, 1/2 Watt.....	60B 8-104
R9.....	470,000 Ohms, 1/2 Watt.....	60B 8-474
R10.....	100 Ohms, 1/2 Watt.....	60B 8-101
R11.....	33 Ohms, 1 Watt.....	60B 28-3
R12.....	220 Ohms, 1 Watt.....	60B 28-7
R13.....	1,000 Ohms, 1 Watt.....	60B 28-2
R14.....	150,000 Ohms, 1/2 Watt.....	60B 8-154
R15.....	22,000 Ohms, 1/2 Watt.....	60B 8-223
R16.....	10 Megohms, 1/2 Watt.....	60B 8-106
R17.....	150 Ohms, 1 Watt.....	60B 14-151
R18.....	100,000 Ohms, 1/2 Watt.....	60B 8-104
R19.....	33,000 Ohms, 1/2 Watt.....	60B 8-333

CONDENSERS		
Symbol	Description	Part No.
C1.....	.005 mfd., 600 Volts, Paper.....	64B 1-12
C2.....	50 mmfd. ±20%, Ceramic.....	65B 6-4
C3.....	.1 mfd., 200 Volts, Paper.....	64B 1-30
C4a.....	Gang, 0 to 420 mmfd. }.....	68B 5
C4b.....	Gang, 0 to 162 mmfd. }.....	68B 5
C5.....	.002 mfd., 600 Volts, Paper.....	64B 1-14
C6.....	.01 mfd., 400 Volts, Paper.....	64B 1-25
C7.....	.05 mfd., 400 Volts, Paper.....	64B 1-22
C8.....	15 mmfd. ±20%, Ceramic.....	65B 6-18
C9.....	.01 mfd., 400 Volts, Paper.....	64B 1-25
C10.....	.03 mfd., 400 Volts, Paper.....	64B 1-23

CONDENSERS		
Symbol	Description	Part No.
C11.....	.18 mfd., 200 Volts, Paper.....	64A 2-2
C12.....	.05 mfd., 400 Volts, Paper.....	64B 1-22
C13.....	.001 mfd., 600 Volts, Paper.....	64B 1-15
C14.....	.05 mfd., 400 Volts, Paper.....	64B 1-25
C15.....	.01 mfd., 400 Volts, Paper.....	64B 1-24
C16.....	.1 mfd., 200 Volts, Paper.....	64B 1-30
C17a.....	30 mfd., 150 Volts }.....	Elect.....67A 1-41
C17b.....	30 mfd., 150 Volts }	
C17c.....	20 mfd., 150 Volts }	
C17d.....	20 mfd., 25 Volts }	
C18.....	250 mmfd. ±20%, Ceramic.....	65B 6-5
C19.....	.02 mfd., 200 Volts, Paper.....	64B 1-24
C20.....	.05 mfd., 400 Volts, Paper.....	64B 1-22
C21.....	500 mmfd. ±20%, Ceramic.....	65B 6-6

COILS, TRANSFORMERS, ETC.		
Symbol	Description	Part No.
L1.....	Antenna, Loop.....	69B 13
L2.....	Coil, Oscillator.....	69A 14
T1.....	Transformer, 1st I.F.....	72B 3
T2.....	Transformer, 2nd I.F.....	72B 4
T3.....	Transformer, Output.....	98A 17
	Speaker (5") & Output Trans- former.....	78B 19-1

SWITCHES, PLUGS & SOCKETS		
Symbol	Description	Part No.
P1.....	Plug, Pickup.....	88A 8-5
P2.....	Plug, Motor.....	88A 8-1
S1.....	Socket, Phono.....	88A 8-6
S3.....	Phono-Motor Socket & Leads (Female connector).....	89A 6-3
SW1.....	Part of Tone Control R5	
SW2.....	Switch, Radio-Phono.....	77A 16-2

CABINET PARTS	
Description	Part No.
Cabinet Body Less Lid (7RT41).....	34D 11-11
Cabinet Lid (7RT41).....	34D 11-10
*Cabinet, Wood (7RT42).....	35D 47
*Cabinet, Wood, Walnut (7RT43).....	35D 48-1
*Cabinet, Wood, Mahogany (7RT43).....	35D 48-2
Clip, Dial Glass Mounting (7RT43).....	18A 12
Dial Scale, Glass (7RT41-7RT42).....	21B 35-1
Dial Scale, Glass (7RT43).....	21B 33-1
Escutcheon, Overlay (7RT41-7RT42).....	23C 23-1
Grille, Inside.....	16C 1

PHONOGRAPH PARTS	
Note: See record changer manual for complete parts list.	
Description	Part No.
Cartridge and Needle, Pickup.....	A 1372
Centerpost.....	G400B137-1
Drive Disc Assembly.....	G 400A 179
Idler Wheel (407B3 Motor).....	G 400A 23
Idler Wheel (407B1 Motor).....	G 400A 57
Motor, 60 Cycle 115 Volt A.C.....	407B 3-2
Pickup Cable and Plug.....	A 1322

MISCELLANEOUS	
Description	Part No.
Background, Dial.....	22B 9-1
Bracket, Tuning Shaft.....	15A 152
Bracket, Dial.....	15B 151
Card, Dial (48").....	50A 1-3
Drum, Dial.....	17A 14
Grommet, Rubber.....	12A 1-2
Knob.....	33A 19-1
Pilot Light #47.....	81A 1-8
Pilot Light Socket and Leads.....	82A 2-3
Pointer.....	25A 21
Pulley, Fibre Dial 1/8"x1/2" O.D.....	17A 1-3
Shaft, Tuning.....	28A 11-4
Spring, Dial Drum Cord Tension.....	19B 1-7
* Supplied only if old cabinet cannot be repaired. When ordering, describe condition of old cabinet in detail.	

MODEL 7C62

REPLACEMENT PARTS

RESISTORS		
Symbol	Description	Part No.
R1.....	22,000 Ohms, 1/2 Watt.....	60B 8-223
R2.....	1 Megohm, 1/2 Watt.....	60B 8-105
R3.....	27,000 Ohm, 1/2 Watt.....	60B 8-273
R4.....	1 Megohm Volume Control and Switch SW1 (Tapped at 500,000 ohms).....	75B 2-2
R5.....	2 Megohms, Tone Control.....	75B 1-8
R6.....	4.7 Megohms, 1/2 Watt.....	60B 8-475
R7.....	1.8 Megohms, 1/2 Watt.....	60B 8-185
R8.....	100,000 Ohms, 1/2 Watt.....	60B 8-104
R9.....	470,000 Ohms, 1/2 Watt.....	60B 8-474
R10.....	100 Ohms, 1/2 Watt.....	60B 8-101
R11.....	33 Ohms, 1 Watt.....	60B 28-3
R12.....	220 Ohms, 1 Watt.....	60B 28-7
R13.....	1,000 Ohms, 1 Watt.....	60B 28-2
R14.....	150,000 Ohms, 1/2 Watt.....	60B 8-154
R15.....	22,000 Ohms, 1/2 Watt.....	60B 8-223
R16.....	10 Megohms, 1/2 Watt.....	60B 8-106
R17.....	150 Ohms, 1 Watt.....	60B 14-151
R18.....	100,000 Ohms, 1/2 Watt.....	60B 8-104
R19.....	33,000 Ohms, 1/2 Watt.....	60B 8-333

CONDENSERS		
Symbol	Description	Part No.
C1.....	.005 mfd., 600 Volts, Paper.....	64B 1-12
C2.....	50 mmfd. ±20%, Ceramic.....	65B 6-4
C3.....	.1 mfd., 200 Volts, Paper.....	64B 1-30
C4a.....	Gang, 0 to 420 mmfd. }.....	68B 5
C4b.....	Gang, 0 to 162 mmfd. }	
C5.....	.002 mfd., 600 Volts, Paper.....	64B 1-14
C6.....	.002 mfd., 600 Volts, Paper.....	64B 1-14
C7.....	.05 mfd., 400 Volts, Paper.....	64B 1-22
C8.....	15 mmfd. ±20%, Ceramic (Used on Model 7C62-N).....	65B 6-18
C8.....	20 mmfd., Mica (Used on Model 7C62-UL).....	65B 7-5

CONDENSERS		
Symbol	Description	Part No.
C9.....	.01 mfd., 400 Volts, Paper.....	64B 1-25
C10.....	.03 mfd., 400 Volts, Paper.....	64B 1-23
C11.....	.1 mfd., 400 Volts, Paper.....	64B 1-20
C12.....	.05 mfd., 400 Volts, Paper.....	64B 1-22
C13.....	.001 mfd., 600 Volts, Paper.....	64B 1-15
C14.....	.05 mfd., 400 Volts, Paper.....	64B 1-22
C15.....	.02 mfd., 400 Volts, Paper.....	64B 1-24
C16.....	.1 mfd., 200 Volts, Paper.....	64B 1-30
C17a.....	30 mfd., 150 Volts }.....	Elect.....67C 7-46
C17b.....	30 mfd., 150 Volts }	
C17c.....	20 mfd., 150 Volts }	
C17d.....	20 mfd., 25 Volts }	
C18.....	250 mmfd. ±20%, Ceramic.....	65B 6-5
C19.....	.02 mfd., 200 Volts, Paper.....	64B 1-24
C20.....	.05 mfd., 400 Volts, Paper.....	64B 1-22
C21.....	500 mmfd. ±20%, Ceramic.....	65B 6-6

COILS, TRANSFORMERS, ETC.		
Symbol	Description	Part No.
L1.....	Antenna, Loop.....	69B 16
L2.....	Coil, Oscillator.....	69A 14
T1.....	Transformer, 1st I.F.....	72B 3
T2.....	Transformer, 2nd I.F.....	72B 4
T3.....	Transformer, Output.....	98A 18
	Speaker (8" PM) & Output Transformer.....	78C 20-1

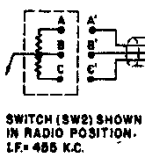
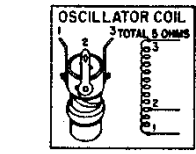
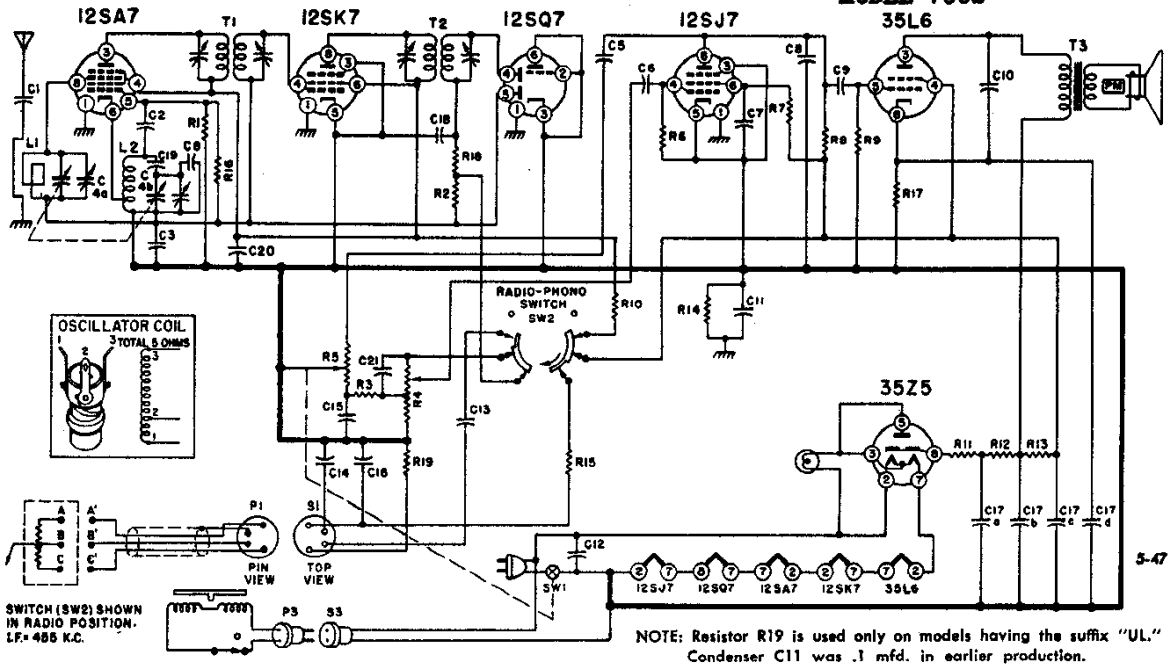
SWITCHES, PLUGS & SOCKETS		
Symbol	Description	Part No.
P1.....	Plug, Pickup.....	88A 8-5
P2.....	Plug, Speaker.....	88A 4
P3.....	Plug, Motor.....	88A 8-1
S1.....	Socket, Phono.....	88A 8-6
S2.....	Socket, Speaker.....	87A 6-1
S3.....	Phono-Motor Socket & Leads (Female connector).....	89A 6-6
SW1.....	Part of Volume Control R4	
SW2.....	Switch, Radio-Phono.....	77A 16-2

CABINET PARTS	
Description	Part No.
Screw, Chassis Mounting.....	1A 67-17-2
Tie Bar, Tilt Out.....	15B 126
Springs, Tilt Out.....	19A 15-1
Escutcheon, Plastic.....	23C 22-2
Dial Window, Plastic.....	24B 1
*Cabinet, Wood (7C62).....	35E 52
Hinge Assembly, Record Support Side.....	AC 118-1
Hinge Assembly, Pickup Arm Side.....	AC 118-2

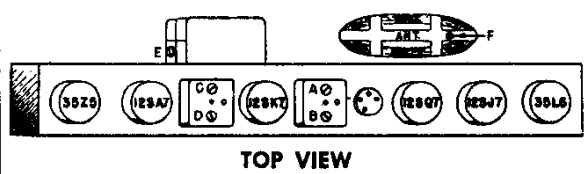
PHONOGRAPH PARTS	
Note: See record changer manual for complete parts list.	
Description	Part No.
Cartridge and Needle, Pickup.....	A 1372
Centerpost.....	G400B137-1
Drive Disc Assembly.....	G 400A 179
Idler Wheel (407B3 Motor).....	G 400A 23
Idler Wheel (407B1 Motor).....	G 400A 57
Motor, 60 Cycle 115 Volt, A. C.....	407B 3-2
Pickup Cable and Plug.....	A 1304

MISCELLANEOUS	
Description	Part No.
Compression Ring (For pointer).....	18A 5-2
Card, Dial.....	50A 1-3
Grommet, Rubber (For gang cond.).....	12A 1-2
Knob.....	33A 19-2
Pilot Light #47.....	81A 1-8
Pilot Light Socket & Leads.....	82A 2-3
Pointer.....	25B 22
Scale, Dial.....	21B 30-2
Shaft, Pointer.....	28A 16
Shaft, Tuning.....	28A 10-1
Spring, Dial Drum Cord Tension.....	19B 1-5
Spring, Tuning Shaft Tension.....	19A 18
* Supplied only if old cabinet cannot be repaired. When ordering, describe condition of old cabinet in detail.	

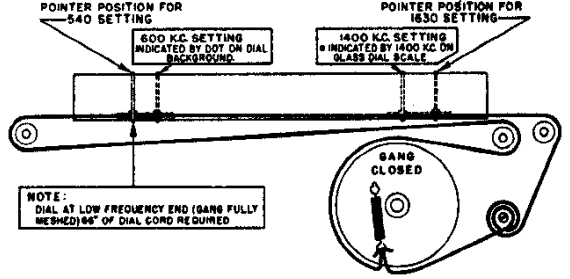
ADMIRAL CORPORATION **MODELS 7RT41, 7RT42, 7RT43**
Chassis 6L1
MODEL 7C62



TUBE & TRIMMER LOCATION



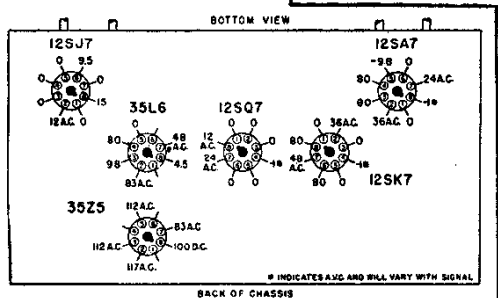
DIAL CORD STRINGING & POINTER SETTING



VOLTAGE DATA

- All readings made between Tube Socket Terminals and B minus.
- Measured on a 117 Volt A.C. line.
- Volume control full on.
- Dial tuned to low frequency end, no signal.
- Voltage obtained on Vacuum Tube Volt-meter.

MODEL 7C62



MODEL 7RT41, 7RT42, 7RT43

VOLTAGE CHART

