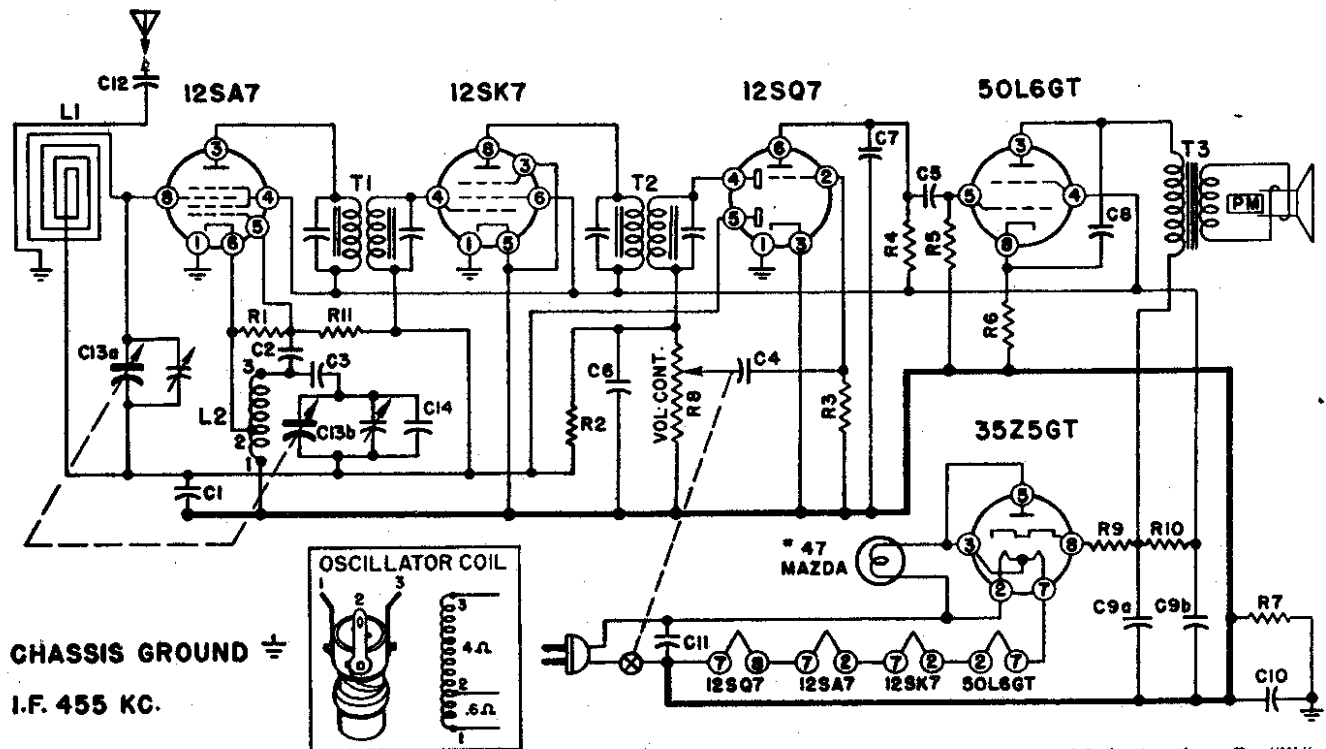
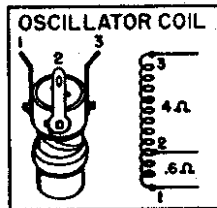


ADMIRAL CORPORATION

MODELS 7T01, 7T04,
7T01UL, 7T04UL,
Chassis 5N1



CHASSIS GROUND \perp
I.F. 455 KC.



NOTE: Condenser C3 used only on models having the suffix "UL".

REPLACEMENT PARTS

RESISTORS

Symbol	Description	Part No.
R1	22,000 Ohms, 1/2 Watt	60B 8-223
R2	1 Megohm, 1/2 Watt	60B 8-105
R3	4.7 Megohms, 1/2 Watt	60B 8-475
R4	470,000 Ohms, 1/2 Watt	60B 8-474
R5	470,000 Ohms, 1/2 Watt	60B 8-474
R6	150 Ohms, 1/2 Watt	60B 8-151
R7	150,000 Ohms, 1/2 Watt	60B 8-154
R8	1 Megohm Volume Control & Switch	75B 1-6
R9	33 Ohms, 1 Watt	60B 28-3
R10	1,000 Ohms, 1 Watt	60B 28-2
R11	10 Megohms, 1/4 Watt	60B 2-106

CONDENSERS

C1	.1 mfd., 200 Volts, Paper	64B 1-30
C2	50 mmfd., Ceramic	65B 6-4
C3	.02 mfd., 400 Volts, Paper	64B 1-24
C4	.01 mfd., 400 Volts, Paper	64B 1-25
C5	.01 mfd., 400 Volts, Paper	64B 1-25
C6	250 mmfd., Ceramic	65B 6-5
C7	500 mmfd., Ceramic	65B 6-6
C8	.02 mfd., 400 Volts, Paper	64B 1-24
C9a	50 mmfd., 150 Volts	Elec. 67A 3
C9b	30 mmfd., 150 Volts	

CONDENSERS

Symbol	Description	Part No.
C10	.1 mfd., 400 Volts, Paper	64B 1-20
C11	.05 mfd., 400 Volts, Paper	64B 1-22
C12	.005 mfd., 600 Volts, Paper	64B 1-12
C13a	Gang, 0 to 420 mmfd.	A1364
C13b	Gang, 0 to 162 mmfd.	
C14	15 mmfd., Ceramic	65B 6-18

COILS, TRANSFORMERS, ETC.

L1	Antenna, Loop (Includes C12)	69B 4
L2	Coil, Oscillator	69A 14
T1	Transformer, 1st I.F.	72B 31
T2	Transformer, 2nd I.F.	72B 32
T3	Transformer, Output	98A 4
	Speaker (5" PM) and Output Transformer	78B 18-2
	(Can also use 78B 18-1)	

MISCELLANEOUS

Description	Part No.
Button, Snap (for Dial Background)	13A 1-3-47
Cabinet, Black Plastic (7T01E)	34D 1-3 N
Cabinet, Ivory Plastic (7T01C)	34D 1-1 N
Cabinet, Mahogany Plastic (7T01M)	34D 1-2 N

MISCELLANEOUS

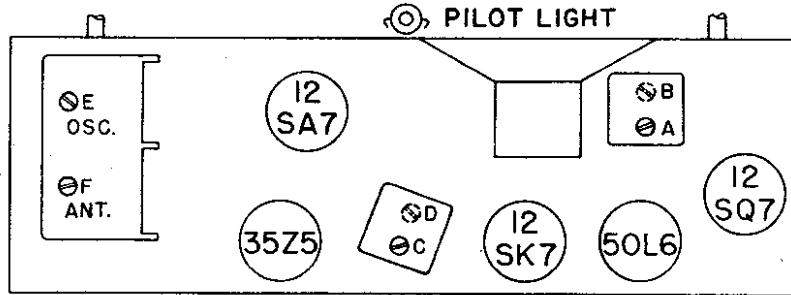
Description	Part No.
*Cabinet, Wood	35D.59.1
Dial Background	22B 13
Dial Bulb (#47 Mazda)	81A 1-8
Dial Cord	50A 1-3
Dial Glass Clip (7T01)	18A 2
Dial Glass Clip (7T04)	18A 12
Dial Scale, Glass (7T01)	21B 36-1
Dial Scale, Glass (7T04)	21B 43
Knob, Black Plastic (7T01E)	33A 18-6
Knob, Ivory Plastic (7T01C)	33A 18-5
Knob, Mahogany Plastic (7T01M)	33A 18-4
Knob, Wood	33A 19-4
Pointer, Dial	25A 25-1
Pulley, Dial (Double)	17A 5-1
Pulley, Dial (Single)	17A 1-3
Shaft, Tuning	28A 11-5
Socket, Tube	87A 5-1
Socket and Leads (for Dial Bulb)	82A 2-8
Spring, Tension (Dial Cord)	19B 1-7
Washer, "C" (for Tuning Shaft)	4A 4-1
Washer, Felt (for Knobs)	5A 4-3
Washer, Fibre (for Mounting Oscillator Coil)	5A 1-5
Washer, Spring (for Tuning Shaft)	4A 6-3-0

*Supplied only if old cabinet cannot be repaired.
When ordering, describe condition of old cabinet in detail.

MODELS 7T01, 7T04,
7T01UL, 7T04UL

ADMIRAL CORPORATION

TUBE AND TRIMMER LOCATION



REAR OF CHASSIS

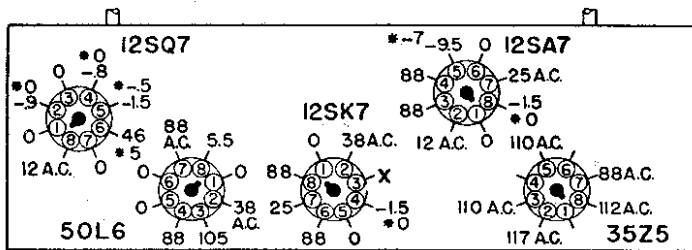
ALIGNMENT PROCEDURE

1. Check pointer setting: With gang open, the pointer should be at 1630 K.C.
2. Connect Output Meter across Voice Coil.
3. Turn Receiver Volume Control full on.
4. Use lowest Output setting of Signal Generator capable of producing adequate Output Meter indication and then proceed as outlined in chart below.
5. Repeat adjustments to insure good results.

Connect Signal Generator to—	Dummy Antenna Between Radio and Generator	Set Generator Frequency to—	Set Receiver Dial Frequency to—	Adjust Following Trimmers	Type of Adjustment
Tuning Condenser Antenna Stator	250 mmfd. Condenser	455 K.C.	High frequency end of Dial	A-B—2nd I. F. C-D—1st I. F. (See note below)	Adjust to maximum Output
Tuning Condenser Antenna Stator	250 mmfd. Condenser	1630 K.C.	High frequency end of Dial	E—Osc.	Adjust to maximum Output
Loop radiator (or place lead from generator close to loop of set to obtain adequate signal).	No actual connec- tion between set and generator.	1400 K.C.	Tune in generator signal	F—Ant.	Adjust to maximum Output

Note: The B and D adjustments must be made from the underside of the chassis.

VOLTAGE CHART



*Indicates second reading taken with 1000 ohm-per-volt meter.

- All readings made between tube socket terminals and pin 3 of 12SK7 (marked "X" on Voltage Chart).
- Voltages measured on a 117 Volt A.C. line.
- Dial turned to low frequency end, no signal.
- Voltages measured with a vacuum-tube volt-meter. A second voltage reading (marked with an asterisk *) indicates readings made with a 1000 ohm-per-volt meter when use of this instrument would result in appreciably lower readings.

DIAL CORD STRINGING & POINTER SETTING

